

OPERATOR'S MANUAL

HK45 SERIES



HECKLER ★ KOCH

▲ WARNING Read this manual carefully before handling, loading, or using your HK45 pistol.

▲ WARNING The HK45 pistol is designed both with or without a conventional manual safety. Therefore, you must consider it to be loaded and ready to fire until you have removed the magazine and visually and physically (with your finger) confirmed that the chamber is empty.

SAFETY RULES: Read this entire operator's manual carefully and thoroughly before using, handling, or loading your firearm. The warnings and instructions in this operator's manual are important. Firearm safety is YOUR responsibility. DO NOT use this firearm if you DO NOT fully understand the warnings and instructions in this operator's manual. Firearms can be dangerous if not handled properly and safely. Failure to follow the warnings and instructions in this operator's manual, or the improper use of this firearm, may result in serious injury or death, damage to the firearm, or other damage to property. This manual should always accompany your HK45 pistol if it is sold, given, or loaned to another person.

Whether you are an experienced shooter or have never handled a firearm before, you must read this entire manual carefully before handling, loading, or firing your HK45 pistol. Your safety and the safety of others depends upon you following the instructions and warnings in this manual and constant use of safe firearms practices. If you are unfamiliar with firearms, take a course in the safe handling of firearms conducted by a qualified firearms instructor, your local gun club, or a similar qualified organization.

This manual contains safety warnings and instructions preceded with **▲ WARNING** **▲ CAUTION** or **NOTICE** symbols. These signal words are designed to draw your attention to important safety information.

▲ WARNING Indicates a hazardous situation which, if not avoided, could result in death or serious personal injury.

▲ CAUTION Indicates a hazardous situation which, if not avoided, could result in moderate or minor personal injury.

NOTICE Indicates safety practices not related to personal injury.

These Warnings, Cautions and Notices will apply at all times.

▲ WARNING Failure to follow the safety information and instructions in this manual could result in death, serious personal injury and/or property damage.

▲ WARNING Treat all firearms as if they are ALWAYS loaded. If any firearm is handled carelessly or improperly, you could cause a negligent discharge, which could result in death, serious personal injury, and/or property damage.

▲ WARNING Keep your finger off the trigger and outside of the trigger guard until your sights are aligned on the target and you are ready to fire.

▲ WARNING Keep your finger off the trigger and outside of the trigger guard while loading or unloading the firearm.

▲ WARNING Keep your finger off the trigger and outside of the trigger guard while pulling the firearm out of the holster or while returning it to the holster.

▲ WARNING Be sure of your target, backstop, and what is beyond.

▲ WARNING NEVER give a firearm to or take a firearm from anyone unless the action is open, and the magazine and chamber are free of any ammunition or brass.

▲ WARNING NEVER take anyone's word that a firearm is unloaded. ALWAYS check for yourself, with the firearm pointed in a safe direction and your finger off of the trigger and outside the trigger guard.

▲ WARNING Be sure that the ammunition you are using is factory loaded, is of the correct caliber for the firearm in which it is to be used, and that it is not damaged in any way. Do not use reloaded, remanufactured, or handloaded ammunition as it may not meet applicable NATO, SAAMI or CIP standards.

- ▲ WARNING** Before firing, remove the magazine from the firearm, lock the action open, make sure the chamber is CLEAR of any ammunition or brass, and check the barrel of the unloaded firearm for any possible obstructions.
- ▲ WARNING** Before firing any firearm that is unfamiliar to you, make sure that you understand exactly how it functions. A lack of familiarity with the firearm can result in serious injury or death, damage to the firearm or other damage to property. Attend a certified training course on any firearm which you intend to use or with which you are not sufficiently familiar.
- ▲ WARNING** ALWAYS wear adequate ear protection and eye protection when using your firearm. Ear protection should be commercially manufactured, at a minimum, provide a noise reduction rating (NRR) of 24 decibels. Eye protection should, at a minimum, provide impact protection with side panels and meet ANSI standard Z87.1.
- ▲ WARNING** Firearms should be locked and stored unloaded, secured, and separately from ammunition in a suitable container out of the sight and reach of children and/or any unauthorized individuals.
- ▲ WARNING** Never store or transport ammunition in the same container as your pistol.
- ▲ WARNING** Alcohol or drugs should NEVER be used before or during use or handling of a firearm. Your vision, balance, coordination, and judgment could be seriously impaired, making your firearm handling unsafe.
- ▲ WARNING** If or when you are taking medication, ALWAYS seek a doctor's advice to be sure you are able to use and handle your firearm properly and safely.
- ▲ WARNING** NEVER alter or modify your firearm because alterations or modifications may impair the use of the firearm, including causing malfunctions or dangerous conditions.
- ▲ WARNING** Discharging firearms in poorly ventilated areas, cleaning firearms, or handling ammunition may result in exposure to lead; a substance known to be associated with birth defects, reproductive harm and other serious injury or death. Always have adequate ventilation. Wash hands thoroughly after handling ammunition, firing your pistol, and/or performing preventative maintenance on your pistol to minimize your lead exposure.
- ▲ CAUTION** Keep all body parts, including the hands and fingers, away from the muzzle to avoid injury or burns.
- ▲ CAUTION** Be sure that no part of either hand touches or interferes with the slide. The slide is moved backward by the recoil force of the pistol during firing and may cause serious injury.

Not all HK products are available to all U.S. states. Please check local laws and regulations before ordering. Heckler & Koch does not warrant that a person may legally purchase, possess, or carry specific items according to federal, state, or local laws.

Before leaving the factory, your HK45 pistol was tested, carefully inspected, and packaged. However, HK cannot control what happens to its pistols after they leave the factory, therefore, carefully examine your HK45 pistol when you acquire it to ensure that it is unloaded and undamaged.

If you need another copy of this manual, do not understand any of the warnings or instructions, or if you have any problems operating your HK pistol, contact us at:

HECKLER & KOCH

5675 Transport Boulevard Columbus, Georgia 31907 • Customer Service: 706-701-5554
USA Website: www.hk-usa.com • Email: cs@heckler-koch-us.com

⚠ WARNING READ THE INSTRUCTIONS AND WARNINGS IN THIS OPERATOR'S MANUAL CAREFULLY BEFORE USING OR HANDLING THIS FIREARM. A firearm has the capability of taking your life or the life of someone else! Be extremely careful with your firearm. An accident can occur at any time and is almost always the result of not following basic safety rules.

OPERATOR'S MANUAL

HK45 SERIES



HECKLER & KOCH
5675 Transport Boulevard
Columbus, Georgia 31907
Customer Service: (706) 701-5554
USA Website: www.hk-usa.com • Email: cs@heckler-koch-us.com

© Heckler & Koch USA (Heckler & Koch Inc. and Heckler & Koch Defense Inc. May 2026
All rights reserved, specifications and models subject to change without notice.

DO NOT DISCARD THIS OPERATOR'S MANUAL. This Operator's Manual should be kept with this firearm and be transferred with this firearm if there is a change in ownership or it is presented to another person.

TABLE OF CONTENTS

Safety Rules	2-3
Section 1 Nomenclature	6
Section 2 Specifications	7-8
Section 3 Function and Operation	9
Changing/Converting Variants.....	9
Special Information on the LEM.....	9
Law Enforcement Modification (LEM) Description.....	9
Parts Unique to the Law Enforcement Modification.....	9
Operation of the Law Enforcement Modification.....	9
Long Term Pistol Storage.....	10
Firing the HK45 Equipped with LEM.....	10
Extractor.....	10
Slide Release.....	10
Magazine Release Lever.....	10
Frame.....	11
Trigger Variants.....	11
Trigger / Firing Modes by Variant.....	11
Safety Features.....	13
Section 4 Instructions for Use	15
Ammunition.....	15
Filling the Magazine.....	16
Emptying the Magazine.....	16
Loading.....	17
Sights and Aiming.....	18
Firing.....	19
Unloading and Safety Check.....	21
Clearing and Safety Check Procedure.....	22
Section 5 Disassembly and Assembly	24
Disassembly.....	24
Assembly.....	26
Function Check.....	28
Removal / Installation of the Backstrap.....	29
Magazine Disassembly.....	30
Magazine Assembly.....	31
Section 6 Cleaning and Maintenance	33
Inspection.....	35
Lubrication.....	35
Storage and Transport.....	37
Troubleshooting Problems and Repair.....	37
Section 7 HK LOCK-OUT Device	38
Section 8 HK Accessories	39
Section 9 Warranty	41
Section 10 Youth Handgun Safety Notices	44
Section 11 State Required Safety Notices	46
Section 12 Exploded Views & Parts Lists	48
HK45 Parts List.....	48
HK45 Exploded Diagram.....	49
HK45 Compact Parts List.....	50
HK45 Compact Exploded Diagram.....	51
Firearms Service Record.....	52

SECTION 1 NOMENCLATURE



Figure 1 — HK45 (right side view)

- | | |
|------------------------|--------------------|
| 1 Rear sight | 6 Front serrations |
| 2 Rear serrations | 7 Front sight |
| 3 Slide release, right | 8 Trigger guard |
| 4 Extractor | 9 Frame |
| 5 Barrel | 10 Backstrap |

Figure 2 — HK45 (left side view)



1. Slide
2. Disassembly notch
3. Slide release, left
4. Hammer
5. Backstrap
6. Magazine
7. Magazine release
8. Trigger
9. Accessory rail

SECTION 2 SPECIFICATIONS

	HK45	HK45 COMPACT
Caliber	45 Auto	
Operating Principle	Short recoil-operated	
Action Type	Modified Browning type, linkless	
Barrel Type	Standard	
Trigger System	Double-Action / Single-Action, hammer fired	
Magazine Capacity	10 rounds	8 or 10 rounds

DIMENSIONS & WEIGHT

Length	8.03 inches / 204 mm	7.24 inches / 184 mm
Width	1.54 inches / 39 mm	1.54 inches / 39 mm
Height	5.91 inches / 150 mm	5.51 inches / 140 mm
Barrel Length	4.49 inches / 114 mm	3.90 inches / 99 mm
Sight Radius	6.65 inches / 169 mm	6.02 inches / 153 mm
Weight (with empty mag.)	30.86 oz / 880 grams	28.57 oz / 810 grams
Weight (empty magazine)	3.88 oz / 110 grams	3.35 oz / 95 grams

OTHER DATA

Trigger Pull	Single-Action Double-Action	approx. 20 N (4.50 lbs) approx. 51 N (11.46 lbs)
Trigger Travel	Single-Action 6 mm (.24 in.) Double-Action 12 mm (.47 in.)	
Barrel Profile/Twist	15.98 inches / 406 mm	

MISCELLANEOUS

Warranty	Limited Lifetime Warranty for the original retail (commercial/civilian) purchaser, one year for law enforcement and military agency purchases
Accessory Rail	Extended MIL-STD-1913 rail: HK45 with four slots / HK45 Compact with three slots, located under dust cover — rated to 5.6 ounces / 160 grams load for accessory light, lasers, and aimers with no impact on performance
Safety	Firing pin block, disconnecter, loaded chamber indicator and disassembly safety. Pistol and magazine comply to NATO AC/225, TOP 3-2-045, and SAAMI safety specifications including drop tests
Disassembly	No tools required for user field strip. Magazine must be removed for disassembly. Minimal tools (simple punches) required for detailed depot level disassembly
Barrel with O-ring	The high temperature rubber O-ring, located near the muzzle, holds the barrel consistently within the slide during firing and enhances accuracy

HK45 TACTICAL / HK45 COMPACT TACTICAL

Caliber	45 Auto	
Operating Principle	Short recoil-operated	
Action Type	Modified Browning type, linkless	
Barrel Type	Threaded, M16X1 LH thread pitch	
Trigger System	Double-Action / Single-Action, hammer fired	
Magazine Capacity	10 rounds	8 or 10 rounds

DIMENSIONS & WEIGHT

Length	8.66 inches / 220 mm	7.87 inches / 200 mm
Width	1.54 inches / 39 mm	1.54 inches / 39 mm
Height	5.91 inches / 150 mm	5.51 inches / 140 mm
Barrel Length	5.11 inches / 130 mm	4.57 inches / 116 mm
Sight Radius	6.65 inches / 169 mm	6.02 inches / 153 mm
Weight (with empty mag.)	31.39 oz / 890 grams	28.92 oz / 820 grams
Weight (empty magazine)	3.88 oz / 110 grams	3.35 oz / 95 grams

OTHER DATA

Trigger Pull	Single-Action	approx. 20 N (4.50 lbs)
	Double-Action	approx. 51 N (11.46 lbs)
Trigger Travel	Single-Action 6 mm (.24 in.)	
	Double-Action 12 mm (.47 in.)	
Barrel Profile/Twist	15.98 inches / 406 mm	
Barrel Thread Pitch	16 x 1mm Left Hand	

MISCELLANEOUS

Warranty	Limited Lifetime Warranty for the original retail (commercial/civilian) purchaser, one year for law enforcement and military agency purchases
Accessory Rail	Reduced length MIL-STD-1913 rail: HK45 with four slots / HK45 Compact with three slots, located under dust cover
Safety	Firing pin block, disconnecter, loaded chamber indicator and disassembly safety. Pistol and magazine comply to NATO AC/225, TOP 3-2-045, and SAAMI safety specifications including drop tests
Disassembly	No tools required for user field strip. Magazine must be removed for disassembly. Minimal tools (simple punches) required for detailed depot level disassembly
Barrel with O-ring	The high temperature rubber O-ring, located near the muzzle, holds the barrel consistently within the slide during firing and enhances accuracy

SECTION 3 FUNCTION AND OPERATION

CHANGING/CONVERTING VARIANTS

The remaining pages of this manual contain information common to all HK45 pistol models. Many parts of the HK45 are identical for all models (HK45, HK45T, HK45C and HK45CT), and the term HK45 applies to all models of this pistol unless otherwise specified. Please carefully review this material and the main body of this operator's manual before handling the firearm.

Due to the innovative design approach unique to some HK pistols, it is possible to modify an HK45 into any one of the listed variants: See chart on page 11.

Changing the trigger/firing mode of the pistol is accomplished by installing a different set of component parts. Not only can the safety lever function (safety/decocking) be switched from one side of the pistol to the other, it is possible to have a Double-Action / Single-Action (DA/SA) version converted to a Double-Action only (LEM DAO) version, or to any other configuration listed. Optional ambidextrous controls are available.

This unique design allows the HK45 pistol to be configured for a variety of purposes depending on the requirements of the user, without having to purchase a new pistol.

LAW ENFORCEMENT MODIFICATION (LEM) DESCRIPTION

The LEM is a series of unique trigger parts created specifically to improve the quality and reduce the weight of the Double-Action Only trigger pull in HK pistols. With these parts installed, the HK45 pistol can be fired like a standard DAO pistol where every round is fired by simply pulling the trigger fully rearward with the hammer starting at the forward rest position. Generally, there are no safety levers present or required, though they are available as an option.

Due to the design of the proprietary HK LEM, the weight of the DAO trigger pull has been reduced to 4.5 - 5 pounds when new and is easier to use due to the smoothness of the trigger pull. HK LEM Kits can be purchased on the web shop or by contacting HK Customer Service at 706-701-5554.

NOTICE An optional 7.5 - 8.5 pound trigger pull is also available for the HK45 LEM model.

OPERATION OF THE LAW ENFORCEMENT MODIFICATION

HK45 pistols fitted with LEM parts operate like standard variants of the HK45 pistol. However, the way in which the hammer is cocked is unique. The hammer in the LEM is a two-piece hammer comprised of a cocking piece (not visible with the pistol assembled) and an external (visible) hammer.

This unique pre-cocked hammer system combines the advantages of a cocked striker fire component (constant level of trigger pull and short, constant trigger travel from first to last round fired), and the intentional pull of a Double-Action trigger.

In addition to providing an improved DAO trigger pull, the LEM also provides a very short trigger reset distance to enhance the speed of multiple or follow-up shots (forward movement of the trigger before firing once again is possible) and allows for double-strike capability to restrike an unfired round without manipulation of the slide, as is required in most striker fired handguns.

The traditional DAO was incorporated as a backup system that allows the operator to re-engage the trigger (although with a heavier trigger pull). If the traditional DAO system were not added to the LEM design, the operator would be forced to rack the slide to the rear to recock the hammer before attempting a follow-up shot.

NOTICE The LEM system will ALWAYS be activated by the slide passing over the hammer. The only time the traditional DAO system is activated is when the slide does not recoil out of battery. Examples of such a situation include a weak primer strike and/or failure for the cartridge to ignite.

LONG TERM PISTOL STORAGE

Anytime the slide is moved fully rearward on the HK45 Pistol fitted with LEM parts the hammer spring is compressed and held in that position until the cocking piece is released by pulling the trigger on the pistol. Therefore, for long-term storage (more than 1 year) it is suggested that the pistol first be CLEARED, and made safe, then pointed in a safe direction and dry fired to release pressure on the hammer spring to maintain its life span.

FIRING THE HK45 EQUIPPED WITH LEM

All rounds are fired in the LEM DAO mode of fire as they are in conventional DA or DAO handguns. When pulling the trigger rearward, you will first feel a relatively long length of free travel (slack) and then a second stage of heavier but consistent pull that actually releases the hammer and fires the pistol. This slack can and should be safely taken up, once the pistol is pointed at the target, to enhance trigger pull consistency.

EXTRACTOR

The extractor located on the right-hand side of the slide acts as a loaded chamber indicator. When a cartridge or case is present in the chamber the red painted surface of the extractor protrudes from the slide presenting a visual and tactile indicator to the operator.

SLIDE RELEASE

This lever is located on both sides of the frame directly above the trigger. This lever is used to lock the slide open, to release the slide when open, and to disassemble the pistol. As a slide stop, it is lifted upward by the magazine follower or the operator's finger as the slide travels rearward during recoil or manual manipulation. The slide release engages in the recess located on the left side of the slide at its midpoint. The slide release is spring actuated and is held down out of engagement with the slide until required. The slide release will automatically hold the slide open when the last shot is fired. As a disassembly lever, the slide release is removed from the left side of the frame when the slide is held partially rearward.

MAGAZINE RELEASE LEVER

This ambidextrous, spring actuated lever holds the magazine in place within the frame by engaging the notch located on the front of the magazine housing. Depressing this lever downward with the firing index finger or thumb will allow the magazine, regardless of the number of cartridges inside, to drop free of the frame. The magazine release lever is shielded from accidental actuation by the design of the polymer frame and trigger guard surrounding it.

FRAME

All sides of the reinforced polymer frame are textured to ensure a firm grip, even with wet hands or under conditions of rapid fire. The trigger guard is extended and grooved to provide a firm grip when using two hands or gloves to fire the pistol. The frame is a one-piece component with metal inserts molded into the frame during production. The slide rides on these metal inserts during operation. The frame contains a MIL-STD-1913 Picatinny-style rail for accessory attachment and finger recesses located to the left and right of the magazine well for manual extraction of the magazine, if needed. The serial number of the pistol is engraved in the metal insert incorporated into the front of the frame in front of the trigger guard, on the barrel locking block, and on the left side of the slide.

TRIGGER VARIANTS

The HK45 is available in the following trigger/firing mode configurations (See Figure 3).

HK45 & HK45C FIRE MODES & CONTROL FUNCTIONS (conversion by HK certified armorer only)	Double Action		Single Action		Double Action Only		Control Lever (Left Side)		Control Lever (Right Side)		Control Lever (Manual Safety)		Control Lever (Decocking)		Caliber Availability	
	●	●	●	●	●	●	●	●	●	●	●	●	●	●	●	●
Variant 1	●	●			●			●	●							.45 ACP
Variant 2	●	●					●	●	●							.45 ACP
Variant 3	●	●			●					●						.45 ACP
Variant 4	●	●					●			●						.45 ACP
Variant 5					●	●			●			●				.45 ACP
Variant 6					●		●	●				●				.45 ACP
Variant 7*					●											.45 ACP
No V8																
Variant 9	●	●			●			●				●				.45 ACP
Variant 10	●	●					●	●				●				.45 ACP

*LAW ENFORCEMENT MODIFICATION

Figure 3 — HK45 & HK45C Trigger (Fire) Modes

NOTICE Trigger/firing mode conversion should be made by a HK certified armorer.

Trigger/Firing Modes by Variant

1. DA/SA with "safe" position and safety lever (manual safety/decocking lever) on left side of frame
2. DA/SA with "safe" position and safety lever (manual safety/decocking lever) on right side of frame
3. DA/SA without "safe" position with safety lever (decocking lever) on the left side of frame
4. DA/SA without "safe" position with safety lever (decocking lever) on the right side of frame
5. LEM DA-Only with "safe" position and safety lever (manual safety) on the left side of frame

6. LEM DA-Only with "safe" position and safety lever (manual safety) on the right side of frame
7. LEM DA-Only without safety lever (no safety/decocking lever)

NOTICE To be consistent with the variant designations of the HK USP and USP Compact, there is no Variant 8. Variant 8 was a designation reserved for a HK USP government test model.

8. N/A - Variant 8 was a designation reserved for a HK USP government test model
9. DA/SA with "safe" position and safety lever (manual safety) on the left side of frame
10. DA/SA with "safe" position and safety lever (manual safety) on the right side of frame

NOTICE The safety lever on variants 1, 2, 3 and 4 should always be used to decock the cocked hammer. Decocking (lowering) the hammer directly, if done incorrectly, may cause the pistol to fire. Manual decocking of the cocked hammer is not recommended on any HK45 variant, including variants 9 and 10.

SAFETY FEATURES

▲WARNING The HK45 series of pistols incorporate Single-Action and Double-Action modes of operation. The external safety, when engaged, blocks the trigger bar's forward movement, preventing the hammer from being released and the weapon from firing. The HK45 should not be carried in the Single-Action mode without the safety lever in the safe position.

▲WARNING Although HK pistols have several design features and mechanical safeties designed to prevent an unintentional discharge if the pistol is dropped or hit, proper and safe function of your HK45 pistol depends upon it only being used for its intended purpose and not being altered or modified. As with any mechanical device, parts failures can occur if your HK45 pistol is subjected to unusual and extreme forces. Therefore, to minimize the risk of negligent discharge, serious injury, or death, safe firearm handling practices and the warnings and instructions in this manual must always be followed.

NOTICE The HK45 is tested and rated to AC225/TOP/SAAMI drop standards. Firearms are dropped from a specified height, designed to simulate a handgun slipping from a user's hand in multiple orientations.

The HK45 series incorporates the following safety features:

NOTICE Some variants do not have a safety lever.

The Safety Lever - On HK45s with the "safe" position (Variants 1, 2, 5, 6, 9, & 10), the front of this lever is fully raised above horizontal so that the "S" on the lever itself aligns with the reference line on the frame (See Figure 4). With this safety lever engaged, the release of the hammer is blocked in the Single-Action mode of fire. In the Double-Action mode, the hammer will partially cock but will not release to fire the pistol.



Figure 4 — Safety lever in "safe" position

To fire the pistol, the front of the safety lever is moved down into a level horizontal orientation into the "FIRE" position. In this position, the "F" on the lever aligns with the reference line located on the frame (See Figure 5). With the safety lever set on "F", the pistol will fire if the trigger is pulled and a cartridge is present in the chamber.



Figure 5 — Safety lever in "fire" position

Safety lever as a Decocking Lever - On HK45's without the "safe" position (Variants 3 & 4), the front of the safety lever cannot be raised above horizontal and the pistol will fire anytime the trigger is pulled with a cartridge in the chamber. The lever only functions as a decocking lever to lower the cocked hammer into the Double-Action mode. The cocked hammer is lowered when the decocking lever is fully depressed by the operator (See Figure 6). This lever is spring actuated and springs back up into the horizontal (fire) position when released.



Figure 6 — Safety lever in "decocking" position

On HK45 variants 1 and 2, the safety lever can be placed in the safe, fire, and decocking positions described above. (See page 11.)

An HK45 pistol fitted with this safety lever can be carried as a Double-Action pistol, with or without the safe position. The safety lever also allows the cocked hammer to be decocked when the safety lever is fully depressed (See Figure 6). Optional ambidextrous controls levers are also available for the HK45.

AMMUNITION

▲ WARNING HK45 pistols are designed to fire quality, brass-cased, factory-loaded ammunition loaded to NATO, SAAMI (Sporting Arms and Ammunition Manufacturers' Institute), or CIP (Permanent International Commission for the Proof of Small Arms) specifications for use, specifically in handguns. **DO NOT USE "+P+" reloaded, remanufactured, steel cased, aluminum cased, or handloaded ammunition because it may not meet applicable NATO, SAAMI or CIP standards and could cause death, serious personal injury, and/or damage to your pistol and may void your warranty.**

NOTICE HK specifically disclaims any responsibilities for any damage or injury that may occur because of, or as a result of, the use of faulty, remanufactured, or reloaded (handloaded) ammunition, or of cartridges other than those for which the pistol was originally chambered.

Consider the following guidelines when selecting the correct ammunition which meets applicable NATO, SAAMI or CIP standards for your pistol:

1. Be sure the ammunition you have chosen is compatible with your pistol: proper caliber, cartridge, bullet weight, etc. Caliber markings on HK45 pistols appear on the barrel locking block, visible through the ejection port on the right side of the slide.
2. Prior to loading the magazine and chamber, carefully inspect all cartridges for any abnormalities, including, but not limited to:
 - Cracked, split, dirty, or corroded cases
 - Improperly seated projectiles and/or primers
 - Damaged projectiles
3. Do not attempt to fire a cartridge in which the projectile has been forced back into the case. Upon firing, this condition may result in increased chamber pressure above safe limits.
4. Do not fire ammunition that:
 - Is military surplus
 - Is assembled with corrosive primer and/or propellant
 - Steel or aluminum cased ammunition
 - Cast lead projectiles
 - Is exposed to oil, grease, water or direct sunlight. If possible, remove contaminants before use and cool down ammunition exposed to direct sunlight or heat. (Exposure to sources of heat could raise the chamber pressure of the cartridge above safe limits).
 - Is loaded specifically for use in submachine guns
 - Is rated as +P+

FILLING AND EMPTYING THE MAGAZINE

▲WARNING Your HK45 pistol does not have a conventional manual safety and it will fire if the trigger is pulled when there is a round in the chamber, even if the magazine is removed.

▲WARNING NEVER forcefully insert a loaded magazine into a pistol. This may cause the pistol slide to close, chambering a cartridge and making the pistol ready to fire. When inserting a magazine, always be sure the pistol is pointed in a safe direction (a safe direction is one in which no one can possibly be injured in the event of an unintentional discharge) with your fingers off the trigger and outside the trigger guard. Failure to do so could cause you to unintentionally fire the pistol, resulting in serious injury, death, or other damage to property.

NOTICE Do not attempt to load more than the prescribed number of cartridges into the magazine. Do not alter the shape of the magazine housing, follower or spring. To do so may cause stoppages or the magazine may not seat properly in the pistol.

Filling the Magazine

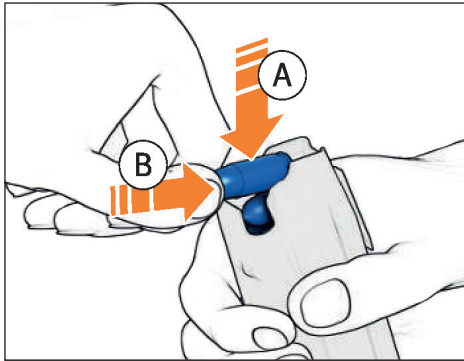


Figure 7 — Loading the magazine

1. Hold the magazine in the non-firing hand with the back side of the magazine resting against the palm.
2. Using the firing hand, hold a cartridge between the index finger and thumb with the projectile facing the palm.
3. Press the rim of the cartridge down against the forward edge of the magazine follower or on the top cartridge already in the magazine.
4. Slide the cartridge back into the magazine under the feed lips.
5. Repeat steps 1-4 until the magazine is full. The viewing holes in the back of the magazine allow the operator to confirm the number of cartridges present within the magazine.

Emptying the Magazine - Exert pressure with a finger on the rim of the cartridge and push each cartridge forward out of the magazine one at a time until the magazine is empty.

LOADING

▲ WARNING HK45 pistols are designed to fire quality, brass-cased, factory-loaded ammunition loaded to NATO, SAAMI (Sporting Arms and Ammunition Manufacturers' Institute), or CIP (Permanent International Commission for the Proof of Small Arms) specifications for use, specifically in handguns. **DO NOT USE "+P+"** reloaded, remanufactured, steel cased, aluminum cased, or handloaded ammunition because it may not meet applicable NATO, SAAMI or CIP standards and could cause death, serious personal injury, and/or damage to your pistol and may void your warranty.

NOTICE HK specifically disclaims any responsibilities for any damage or injury that may occur because of, or as a result of, the use of faulty, remanufactured, or reloaded (handloaded) ammunition, or of cartridges other than those for which the pistol was originally chambered.

Administrative Loading - Used to initially load the pistol before it is to be fired. Slide rearward or forward, chamber EMPTY.

1. Make sure fingers are outside of the trigger guard and the pistol is always pointed in a safe direction (a safe direction is one in which no one can possibly be injured in the event of an unintentional discharge).
2. Insert magazine - Insert the magazine firmly into the frame assembly until the magazine catch engages. Tug on the magazine floorplate to ensure that it is fully seated and engaged.
3. Chamber a cartridge - Chamber a cartridge by depressing the slide release or by pulling the slide fully to the rear and releasing it. Do not ride the slide forward. Let it go forward from the force of the recoil spring.

HK45 pistols are test fired for accuracy by ensuring the point of aim equals the point of impact at 25 meters (27.3 yards) with 230 grain ammunition. Individual results concerning accuracy and/or shot placement are affected by such factors as stance, grip, ammunition, and engagement range.

SIGHTS AND AIMING

The HK45 is equipped with a post and notch, like those first introduced by HK on the P7 series pistol in the 1970s. The sights are adjustable for windage by drifting. Sights are installed and aligned by HK technicians at the factory. Figure 10 shows correct sight alignment, generally for the HK45 series it is a "US Center" hold. Figure 11 shows common sight errors.

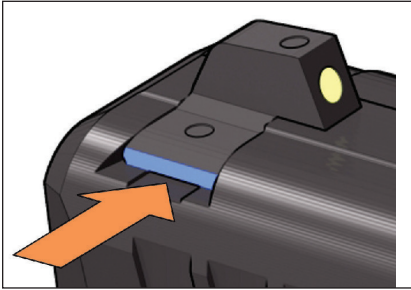


Figure 8 — Adjusting front sight by lateral shifting

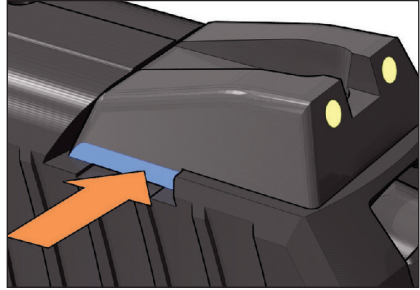


Figure 9 — Adjusting rear sight by lateral shifting

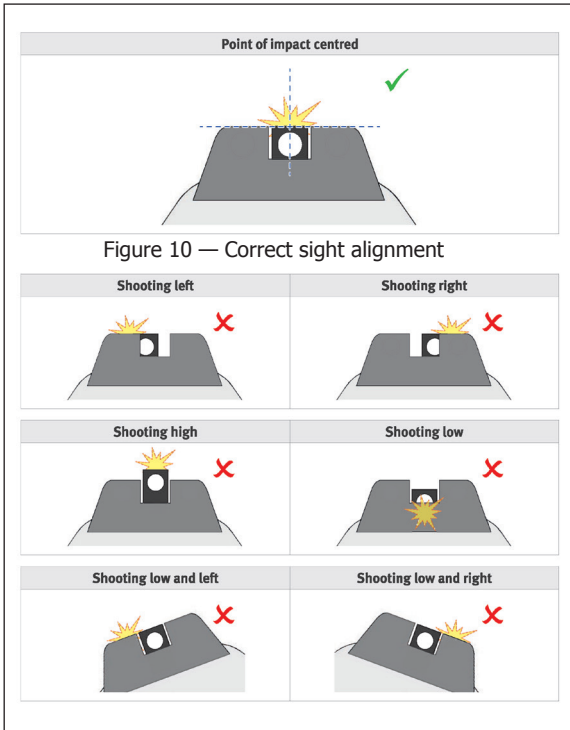


Figure 11 — Common sight alignment errors

FIRING

▲WARNING ALWAYS be sure of your target and what is behind it! A bullet from a pistol can travel as far as 2 miles. It can easily penetrate wood, plasterboard walls, or even a car door. ALWAYS be sure that your backstop is adequate to stop and contain bullets before firing so that you do not hit anything outside of the shooting range area.

▲WARNING NEVER shoot at a hard surface, such as a rock, or a liquid surface, such as water, because a bullet may ricochet and travel in any direction, striking you or someone else. If in doubt, do not shoot.

▲WARNING ALWAYS be sure that the barrel of your pistol is CLEAR of obstructions before firing. If any obstruction is found, remove it – including any excess lubricants – before firing so that your pistol will function safely and correctly. Any obstruction in the barrel could prevent the pistol from firing properly and result in death or serious personal injury, and/or damage to the pistol.

▲WARNING NEVER use your HK45 pistol if it fails to function properly, and never force the slide closed on a jammed cartridge because it could cause the cartridge to explode.

▲WARNING ALWAYS wear adequate eye protection when firing the pistol. Eye protection should, at a minimum, provide impact protection with side panels and meet ANSI standard Z87.1. Unprotected eyes can be injured by fragments expelled from the pistol, ejected cartridge cases, ruptured cartridge cases, splash back from targets, target frames, or backstops.

▲WARNING ALWAYS wear adequate commercially manufactured ear protection when firing the pistol. Unprotected exposure to gunshot noise can cause tinnitus and/or permanent hearing loss.

▲WARNING Your HK45 pistol will fire if the trigger is pulled when there is a round in the chamber, even if the magazine is removed.

▲WARNING Hot gasses and powder are forcefully expelled from your pistol when it is fired. ALWAYS be sure that your hands and all parts of your body are kept away from the muzzle of your pistol.

▲WARNING ALWAYS ensure that a responsible and competent person is placed in charge to maintain safety, discipline, and control when a group is firing at a range, to reduce the likelihood of a negligent discharge.

▲WARNING ALWAYS carry your pistol unloaded with the slide locked open in the rearward position while on a range until preparing to fire. Always keep the pistol pointed towards the backstop when loading, firing, and unloading.

▲CAUTION When ready to fire, be sure that the area behind the slide is clear, including your thumb, and do not hold the pistol near your body, because the slide will move forcefully rearward when the pistol is fired. When firing with a two-handed grip, the thumb of the weak hand should be on the weak hand side of the pistol, never behind the slide.

▲ CAUTION ALWAYS keep yourself and others clear of the ejection port because spent cartridges are hot and are ejected with enough force to cause injury. NEVER touch the slide or barrel immediately after firing, because they may be hot and could cause burns.

▲ CAUTION NEVER place your fingers in the ejection port, other than when the slide is locked in the fully rearward position and you are checking to ensure that the chamber is empty. Your fingers could be injured by the movement of the slide.

▲ CAUTION NEVER fire your pistol near an animal unless it is trained to accept that noise. An animal's startled reaction could injure it or cause it to injure you or someone else.

1. Acquire the proper sight alignment and sight picture (see Figure 10).
2. Control breathing.
3. Gradually squeeze the trigger straight to the rear while attempting to avoid disruption to the sight picture and alignment.
4. Practice good follow-through techniques by maintaining proper sight picture and trigger squeeze until after the firearm has discharged and cycled fully.

Single-Action mode (Hammer cocked)

1. Disengage safety lever - disengage the safety lever by pressing it downward with the firing thumb so that the "F" on the lever aligns with the reference line located on the frame.
2. Aim - aim at the target.
3. Fire - fire the pistol by pressing the trigger straight to the rear with gradually increasing pressure.
4. Re-engage safety lever - re-engage safety lever in "safe" position to remain in the Single-Action mode once firing is completed.

Double-Action mode (Hammer uncocked)

1. Disengage safety lever - disengage the safety lever by pressing it downward with the firing thumb so that the "F" on the lever aligns with the reference line located on the frame.
2. Aim - aim at the target.
3. Fire - fire the pistol by pressing the trigger straight to the rear with gradually increasing pressure.
4. Decock the hammer using the safety lever, placing the pistol in Double-Action mode again.
5. Re-engage safety lever - re-engage safety lever in "safe" position to remain in the Double-Action mode once firing is completed.

NOTICE The hammer on HK45 variants 5, 6, & 7 will automatically return to the uncocked position each time the slide returns to its forward position and the trigger is fully released.



Figure 12 — Two-handed grip with trigger finger on the trigger, sights aligned and ready to fire

UNLOADING AND SAFETY CHECK

▲WARNING The firearm is not **EMPTY** or unloaded until the magazine is removed and the chamber is **CLEAR**. It is possible that a cartridge may be in the chamber when a magazine is being removed from or inserted into your pistol. A cartridge in the chamber will discharge when the trigger is pulled, whether or not a magazine is in your pistol. **NEVER** leave your pistol unattended, even when the magazine is removed. You must **ALWAYS** verify that the chamber is empty before disassembling your pistol for cleaning or any other purpose.

▲WARNING If an unfired cartridge hangs up, jams, or binds while being chambered, do not attempt to force it into the chamber by pushing or striking the slide to attempt to close it because this could cause the cartridge to burst, which can result in fragments of the cartridge flying out of the ejection port with sufficient force to cause death, serious personal injury, and/or property damage.

▲WARNING **ALWAYS** wear safety glasses when clearing your pistol to protect your eyes and turn the pistol's ejection port away from you. Eye protection should, at a minimum, provide impact protection with side panels and meet ANSI standard Z87.1. Do not use a metal tool to attempt to remove an unfired cartridge because it could ignite the primer and cause the cartridge to rupture resulting in fragments of the cartridge flying out of the ejection port with sufficient force to cause death, serious injury, and/or property damage.

▲WARNING **NEVER** rely solely on a mechanical device or your memory to determine whether your pistol is loaded. **ALWAYS** remove the magazine, retract and lock the slide by pulling it fully to the rear and locking it open, and then visually and physically check with your finger to ensure there is not a cartridge in the chamber.

The slide on the HK45 pistol is locked back after the last round is ejected from the pistol. The magazine follower engages a tab located on the inside of the left-hand slide release. As the slide release is pivoted upwards, the back of the release engages a cut-out on the bottom of the slide and locks the slide to the rear.

The magazine can then be removed by depressing either side of the ambidextrous magazine release. Both a visual and a physical (with your finger) inspection should be performed on the chamber/ feed ramp area to ensure the pistol is unloaded.

If the operator wishes to cease firing and unload the firearm before the last round in the magazine is fired, the standard clearing procedure for the HK45, detailed below, should be completed.

CLEARING AND SAFETY CHECK PROCEDURE

To unload and CLEAR your pistol, you MUST proceed in this order.

1. Point the muzzle of the HK45 pistol in a safe direction.

Ensure the muzzle of the HK45 is pointed in a safe direction (a safe direction is one in which no one can possibly be injured in the event of an unintentional discharge) and that the operator's finger is off the trigger and outside the trigger guard.

2. Remove the magazine.

Depress either side of the ambidextrous magazine release. Remove the magazine from the magazine well.

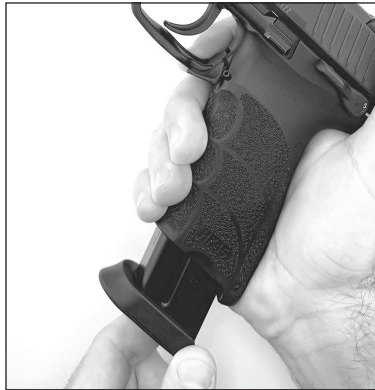


Figure 13 — Magazine removal

3. Open and lock the slide to the rear.

Grasping the rear serrations, rack the slide to the rear while keeping the muzzle pointed in a safe direction. Push and hold upwards on either side of the ambidextrous slide release and lock the slide to the rear by allowing the slide to move forward until it engages the slide release. Watch for a cartridge or empty case to be ejected out through the ejection port.



Figure 14 — Unloading

4. Inspect the chamber.

Inspect the chamber for the presence of a cartridge or empty case by:

1. Visually inspecting the chamber through the open ejection port.
2. Physically inserting a finger through the ejection port and sweeping the chamber and feed ramp area.
3. Removing any cartridges or empty cases from the chamber or from within the HK45.
4. If the cartridge remains in the chamber repeat the Clearing Procedure. If the cartridge will not extract contact a gunsmith.



Figure 15 — Clearing the HK45 pistol

NOTICE The LEM system will ALWAYS be activated by the slide passing over the hammer. The only time the traditional DAO system is activated is when the slide does not recoil out of battery. Examples of such a situation include a weak primer strike and/or failure for the cartridge to ignite.

SECTION 5 DISASSEMBLY AND ASSEMBLY

▲WARNING The firearm is not empty or unloaded until the magazine is removed and the chamber is CLEAR. It is possible that a cartridge may be in the chamber when a magazine is being removed from or inserted into your pistol. A cartridge in the chamber will discharge when the trigger is pulled, whether or not a magazine is in your pistol. Never leave your pistol unattended, even when the magazine is removed. You must always verify that the chamber is empty before disassembling your pistol for cleaning or any other purpose.

▲WARNING Unload all magazines and remove all live ammunition from the area before disassembling your pistol to reduce the chance of a negligent discharge.

▲WARNING Never rely solely on a mechanical device or your memory to determine whether your pistol is loaded. Always remove the magazine, retract and lock the slide by pulling it fully to the rear and locking it open, and then visually and physically check with your finger to ensure there is not a cartridge in the chamber.

▲WARNING Never alter or modify your HK45 pistol because this could cause it to malfunction and create a dangerous condition.

▲WARNING Always wear safety glasses when disassembling your pistol to protect your eyes. Eye protection should, at a minimum, provide impact protection with side panels and meet ANSI standard Z87.1. Components, such as springs, are under pressure and could cause serious injury.

DISASSEMBLY

To disassemble your HK45 pistol for cleaning, or any other purpose, follow the instructions below. To ensure that your pistol is unloaded, disassembly MUST be performed in this order. Make sure the pistol is CLEAR.

1. Conduct the CLEARING AND SAFETY CHECK PROCEDURE located in Section 4.
2. Depress the slide release and allow the slide to return forward.
3. Using the firing hand, retract and hold the slide to the rear so that the axle of the slide release is visible through the recess in the left side of the slide (See arrow, Figure 16).
4. With the non-firing hand, completely remove the slide release from the left side of the frame by pressing on it from the right side of the frame (See Figure 17) and pulling it out of the left side of the frame.

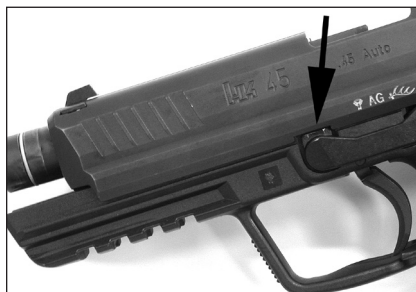


Figure 16 — Axle of slide release



Figure 17 — Remove slide release

5. Remove the slide with barrel and recoil spring assembly by sliding it forward off of the frames (See Figure 18).



Figure 18 — Slide forward off frame

6. Set the slide down on a flat surface.
7. Carefully remove the recoil spring assembly from the barrel and slide by lifting up on the rear of the recoil spring guide rod (See Figure 19) and pivoting the recoil spring assembly away from the slide. The entire assembly can now be lifted out of the slide. HK45 Pistols have one piece "captive" recoil springs and are removed as a unit.

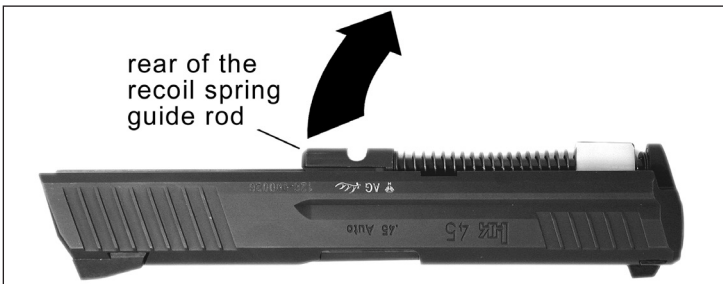


Figure 19 — Rear of recoil spring guide rod

8. Lift the rear of the barrel near the locking block and withdraw it from the slide (See Figure 20)



Figure 20 — Remove locking block

ASSEMBLY

1. Position the barrel in the slide so that the muzzle of the barrel fits in the large hole at the front of the slide, the locking block portion of the barrel fits within the ejection port, and the angled locking surfaces of the locking block are visible along the bottom of the slide.



Figure 21

Relationship of recoil spring to barrel locking block inside of slide

2. Install the recoil spring assembly into the slide so that the front of the recoil spring guide rod engages in the small hole in the front of the slide (See Figure 22).



Figure 22 — Small hole in front of slide

3. Compress the recoil spring slightly and align the opposing angled locking surfaces on the rear end of the recoil spring guide rod with those located on the bottom of the barrel locking block.
4. Push the rear of the recoil spring assembly forward enough so that the recoil spring retainer can be engaged on the shelf provided on the front of the barrel locking block. (Figure 24 shows this relationship).
5. Check the position of the sear axle on the frame. Ensure that it does not protrude from the right side of the frame.
6. Hold the frame in the firing hand. Position the rear of the slide above the front edge of the frame.
7. Slowly draw the slide back onto the frame so that the metal inserts in the frame fits into the grooves on the inside of the slide.

8. Retract the slide to the point where the recess in the left side of the slide is positioned over the hole where the axle of the slide release will go and hold it there (See Figure 23).



Figure 23 — Retract the slide

9. Insert the slide release from left to right into the frame until it is flush with the side of the frame (See Figure 24). Release the slide and allow it to return forward.



Figure 24 — Insert slide release

10. Perform a FUNCTION CHECK

FUNCTION CHECK

Follow the Function Checks for specific variants on the following pages.

DOUBLE-ACTION / SINGLE-ACTION

1. CLEAR the HK45.
2. Point the muzzle of the HK45 in a safe direction and ensure that the pistol is unloaded.
3. Cycle the slide to the rear and release three to four times to ensure that:
 - The pistol is unloaded
 - The slide travels smoothly back and forth on the frame with no binding or excessive friction
4. The hammer should be cocked.
5. Decock the hammer using the safety lever. (if applicable)
6. Place the safety "on".
7. Cycle the slide with the safety "on".
8. Check the safety by attempting to dry fire the pistol.
9. Place the safety in the "fire" position.
10. Press the trigger to dry fire the pistol in Double-Action mode.
11. Hold the trigger fully rearward.
12. Cycle the slide; hammer should stay to the rear.
13. Release the trigger and press again to dry fire the pistol in the Single-Action mode.
14. Insert the empty magazine.
15. Cycle the slide to the rear; magazine follower should lock slide to the rear.
16. Remove the magazine.
17. Release the slide using the slide release.

The function check is now complete.

FUNCTION CHECK FOR LEM VARIANTS

1. CLEAR the HK45.
2. Point the muzzle of the HK45 in a safe direction and ensure that the pistol is unloaded.
3. Cycle the slide to the rear and release three to four times to ensure that:
 - The pistol is unloaded
 - The slide travels smoothly back and forth on the frame with no binding or excessive friction
4. Press the trigger and hold it to the rear, to dry fire the pistol in enhanced Double-Action mode.
5. While maintaining the trigger to the rear, cycle the slide.
6. Release the trigger and listen for the trigger to reset.
7. Insert the empty magazine.
8. Cycle the slide to the rear; magazine follower should lock slide to the rear.
9. Remove the magazine.
10. Release the slide using the slide release.

The function check is now complete.

REMOVAL / INSTALLATION OF THE BACKSTRAP

▲ WARNING Make sure that the firearm is CLEAR (magazine removed and chamber empty) before changing backstraps or frame assembly.

▲ WARNING ALWAYS wear safety glasses when disassembling your pistol to protect your eyes. Eye protection should, at a minimum, provide impact protection with side panels and meet ANSI standard Z87.1 Components, such as springs, are under pressure and could cause serious injury.

Removal

1. Ensure that the pistol is CLEAR and decocked (see page 22) and the magazine is removed. Dry firing the pistol will relieve any tension on the hammer spring prior to removal of the grip panels.
2. With a (1/8 " or 3 mm) metal punch, carefully tap out the backstrap retaining pin (See Figure 25 & 26). Extract the pin once it is protruding from the frame.
3. When the pin is removed, the grip panel can be slid downward off the frame (See Figure 27).

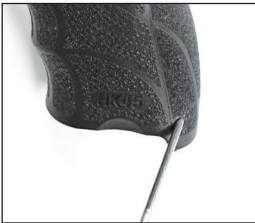


Figure 25



Figure 26

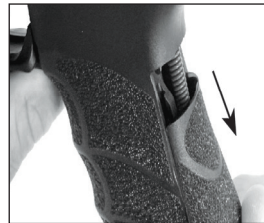


Figure 27

Installation

1. Place the replacement backstrap on the frame approximately 3/4 inch lower than its assembled position and push the backstrap up onto the grip rails (See Figure 28). Continue to slide the back strap upward until it fits flush and there is no gap between the top of the backstrap and frame (See Figure 29).



Figure 28 — Place backstrap

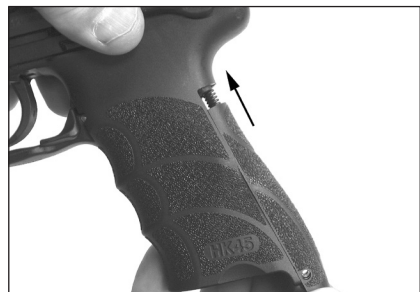


Figure 29 — Slide backstrap

2. At this point, the holes in the backstrap and on the frame will line up. Carefully reinsert the pin and push it through the backstrap and frame using finger pressure.

3. With the pin properly aligned in the backstrap and the frame, carefully tap the pin until it is fully seated and centered in the frame.



Figure 30
Tap the pin until fully seated

MAGAZINE DISASSEMBLY

▲WARNING Unload the magazines and remove all live ammunition from the area before disassembling your magazine.

▲WARNING Be aware of the force exerted by the magazine spring while removing and installing the magazine floorplate. Always keep the base of the magazine pointed away from the face and eyes of yourself and others. Always wear safety glasses when disassembling your pistol to protect your eyes. Eye protection should, at a minimum, provide impact protection with side panels and meet ANSI standard Z87.1. Components, such as springs, are under pressure and could cause serious injury.

Disassembly of magazines

All HK45 magazine variants require the same following steps to disassemble. See the three different configurations in Figure 31.

1. Using a punch, depress the locking plate located in the floorplate and hold it there. (See Figure 32).
2. Place a portion of either hand over the base of the magazine to control the release of the spring and locking plate.
3. Slowly slide the floorplate forward off the magazine housing (See Figure 33).



Figure 31
8 and 10
round magazines



Figure 32
Depressing
locking plate in floorplate



Figure 33
Slide the floorplate
forward

4. Gradually allow the locking plate and spring to expand out of the magazine housing (See Figure 34).
5. Remove the locking plate, magazine spring, and follower from the magazine housing.

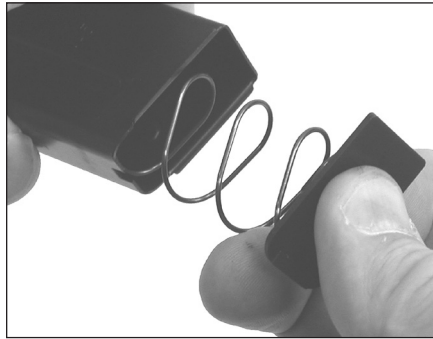


Figure 34
Removing locking plate and spring

MAGAZINE ASSEMBLY

▲WARNING Be aware of the force exerted by the magazine spring while removing and installing the magazine floorplate. ALWAYS keep the base of the magazine pointed away from the face and eyes of yourself and others. ALWAYS wear safety glasses when disassembling your pistol to protect your eyes. Eye protection should, at a minimum, provide impact protection with side panels and meet ANSI standard Z87.1. Components, such as springs, are under pressure and could cause serious injury.

There are 5 components in total that make up the magazine (See Figure 35)

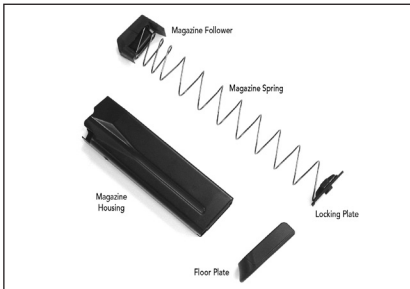


Figure 35
10-round magazine components

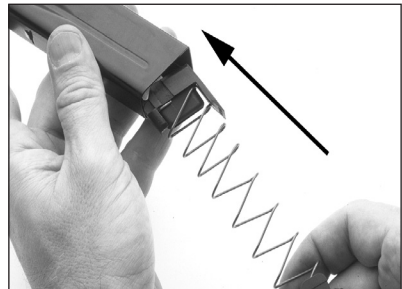


Figure 36
Insert the follower, spring, and locking floor plate

1. Place the magazine follower onto the magazine spring with the end of the spring positioned on the left of the follower.
2. Insert the follower and magazine spring into the magazine housing as depicted in Figure 36.
3. Place the locking plate (locking insert) onto the protruding end of the magazine spring so that the rounded corners face toward the front of the magazine.
4. Push the locking plate into the magazine housing against the pressure of the magazine spring and hold it there.



Figure 37

Push the locking plate into the magazine housing

5. Check to see if the locking tabs on the floorplate are securely locked into the housing and the locking plate fits within the hole in the floorplate.

After assembling the magazine, check to make sure that it is properly assembled by ensuring that the follower slides up and down freely within the magazine housing and with spring force. Also check that the magazine follower rises within the magazine housing to be nearly flush against the bottom of the magazine feed lips (See Figure 38). Repeat disassembly and assembly if needed.



Figure 38

Check the magazine follower

SECTION 6 CLEANING & MAINTENANCE

CLEANING

▲WARNING ALWAYS be sure that the barrel of your pistol is clear of obstructions before firing. If any obstruction is found, remove it – including any excess lubricants – before firing so that your pistol will function safely and correctly. Any obstruction in the barrel could prevent the pistol from firing properly and result in death or serious personal injury, and/or damage to the pistol.

▲WARNING The firearm is not EMPTY or unloaded until the magazine is removed and the chamber is CLEAR. It is possible that a cartridge may be in the chamber when a magazine is being removed from or inserted into your pistol. A cartridge in the chamber will discharge when the trigger is pulled, whether or not a magazine is in your pistol. NEVER leave your pistol unattended, even when the magazine is removed. You must ALWAYS verify that the chamber is empty before disassembling your pistol for cleaning or any other purpose.

▲WARNING ALWAYS wear safety glasses when cleaning your pistol to protect your eyes from cleaning solutions and components, such as springs, which are under pressure and could cause injury. Eye protection should, at a minimum, provide impact protection with side panels and meet ANSI standard Z87.1. Exercise caution if using compressed air.

▲WARNING ALWAYS ensure that no ammunition is in the area where you clean your pistol. Lubricants can affect the primer and powder in ammunition and cause it to malfunction. This could result in failure to fire, or in a bullet being pushed into the barrel of your pistol and becoming stuck, which could cause the barrel to burst and result in death or serious injury, in addition to damaging the pistol.

▲WARNING Do not alter any of the parts or components of the pistol or magazine, e.g., do not attempt to “improve” or make the pistol “better” by altering parts or components. Altering any parts or components of the pistol or magazine may cause serious injury or death, damage to the pistol, or other damage to property, and voids its warranty.

▲WARNING As with any semi-automatic pistol, your HK45 should be disassembled into its major components every time it is cleaned. Failing to do so, by merely locking the slide to the rear and inserting the cleaning rod from the muzzle, can cause dirt, oil, and lubricant to build up inside the pistol causing malfunctions.

▲WARNING Do not use a steel bore brush which can scratch the polygonal bore and reduce accuracy.

▲WARNING Use of ultrasonic cleaning machines can result in the unwanted removal of colored reference markings of the frame assembly, extractor and control lever (where applicable). Use of ultrasonic cleaning is normally not necessary or recommended when using standard ammunition in HK pistols. All components should be thoroughly dried after being coated in cleaning solutions of any kind before reassembly and all the firearm critical components should be lubricated in accordance with the applicable operator/maintenance instructions after being thoroughly dried.

Materials Required - At a minimum, HK recommends the following materials to properly clean a HK45 Series pistol:

- Cleaning rod with handle and patch holder
- Nylon toothbrush
- Bronze bristle bore brush (45mm)
- Cleaning patches
- Lint-free wiping rag
- Cleaning solution/lubricant
- Cotton swabs

Handgun cleaning kits are available from HK for thorough cleaning of pistols and other firearms. Visit the HK-USA web shop or contact HK Customer Service at 706-701-5554 or by email at cs@heckler-koch-us.com.

Cleaning Intervals - Normal and Major are the two types of operator cleaning for the HK45 pistol.

Normal Cleaning - Performed after each firing or every twelve (12) months, whichever comes first.

Major Cleaning - Often referred to as "detailed cleaning." Performed after the firing of 600 cartridges or when the pistol is exposed to, or contaminated with:

- Sand
- Dust
- Water (especially saltwater)
- Other visible contaminants or foreign matter.

Normal Cleaning

Slide

- Gently scrub all internal surfaces of the slide using the nylon toothbrush moistened with cleaning solution.
- Remove all loose fouling from all surfaces of the slide using a rag and cotton swabs.

Recoil spring assembly

- Remove all visible fouling using cleaning solution, a nylon toothbrush or a rag and cotton swabs.

Barrel

- Moisten a bronze bore brush with cleaning solution and scrub the bore from the chamber to the muzzle with at least six (6) passes, back and forth.
- Remove the loose fouling from the bore using cleaning patches.
- Gently scrub the exterior of the barrel and locking block with the nylon toothbrush moistened with cleaning solution.
- Remove all loose fouling from the exterior of the barrel using a rag and cotton swabs.

Frame Assembly

- Gently scrub surfaces where carbon fouling is present using the nylon toothbrush moistened with cleaning solution. Concentrate on the area normally covered by the slide and the unlock block area that interfaces with the barrel.
- Remove all loose fouling from all areas of the frame assembly using a rag and cotton swabs.

Magazine

- Gently scrub the top of the magazine, concentrating on the follower and feed lips, using the nylon toothbrush moistened with cleaning solution.
- Remove all loose fouling from all surfaces of the magazine using a rag and cotton swabs.

Major Cleaning - Major Cleaning is the same as normal cleaning except that:

- The magazine is disassembled for cleaning, following the instructions and warnings in Section 5.
- All parts should be rinsed with or immersed in cleaning solution and thoroughly scrubbed with a nylon brush. The parts can then be dried using compressed air or with a rag and cotton swabs.

INSPECTION

During and after cleaning, visually inspect the pistol and its components for any irregularities that may cause problems or stoppages during operation. Generally, you should keep a watchful eye out for the discrepancies listed below. (See Function Check in Section 5)

Always CLEAR the pistol before conducting your inspection!

Check for:

- Damaged or missing parts
- Improper assembly or function
- Absence of free movement, where applicable
- Absence of spring force, where applicable
- Unaccustomed looseness
- Parts exhibiting signs of cracks, burrs, dents, or obvious signs of damage or stress
- Presence of stops or tactile clicks, where applicable
- Presence of corrosion or degradation of surface finish
- General overall cleanliness
- Presence of sufficient lubrication

LUBRICATION



Figure 39 — Lubrication Points (in red)

The surfaces of the HK45 pistol are treated with corrosion and wear-resistant finishes. These surface treatments do not completely reduce the friction between moving parts, and it is recommended that a lubricant be applied to the pistol to ensure proper functioning. Any type of high-quality, medium-weight lubricant (oil) specifically designed for use on firearms will work well on a HK45 pistol.

Do not use lubricants that boast of their ability to penetrate metal because those substances may deactivate primers. Figure 42 shows areas on the pistol requiring particular attention to lubrication.

Where and How Much -

No Lube - Surface is dry and not slippery to the touch.

- All plastic and rubber components
- Ammunition
- Electronics

Light Lube - A finger run across the surface yields little or no lube.

- Exterior of barrel
- All metal parts
- All internal parts in slide and frame assembly
- Magazine spring
- Recoil spring assembly
- Trigger spring
- Magazine tubes

Medium Lube - A finger run across the surface yields some lube, but lube does not run down the surface when it is held in a vertical position.

- Barrel locking block
- Slide rails and grooves
- All interior operating controls
- Extractor
- Sear

Re-apply lubricant periodically during firing as it burns off from the heat. Apply lubricant using a cleaning brush, cotton swabs, patches, or a rag. A spray bottle of lubricant also works well when using compressed air to circulate the lubricant into all parts and to remove the excess from the pistol.

STORAGE AND TRANSPORT

▲ WARNING The firearm is not **EMPTY** or unloaded until the magazine is removed and the chamber is **CLEAR**. It is possible that a cartridge may be in the chamber when a magazine is being removed from or inserted into your pistol. A cartridge in the chamber will discharge when the trigger is pulled, whether or not a magazine is in your pistol. **NEVER** leave your pistol unattended, even when the magazine is removed. You must **ALWAYS** verify that the chamber is empty before disassembling your pistol for cleaning or any other purpose.

▲ WARNING Firearms should be locked and stored unloaded, secured, and separately from ammunition in a suitable container out of the sight and reach of children and/or any unauthorized individuals.

▲ WARNING **NEVER** store or transport ammunition in the same container as your pistol.

▲ WARNING **NEVER** rely solely on a mechanical device or your memory to determine whether your pistol is loaded. **ALWAYS** remove the magazine, retract and lock the slide by pulling it fully to the rear and locking it open, and then visually and physically check with your finger to ensure there is not a cartridge in the chamber.

1. Store or transport the pistol and its components clean and lubricated.
2. Store and transport the pistol without cartridges in the chamber, magazine, or in the storage container with the magazine removed.
3. Store and transport the pistol with the slide in the forward (closed) position.
4. Clean and lubricate the pistol and its components at least every twelve (12) months during storage.
5. HK recommends storage in a climate controlled, room temperature environment.
6. Store the pistol and ammunition separately under lock and key.

TROUBLESHOOTING PROBLEMS AND REPAIR

Common causes of problems that are often overlooked include:

- Fouled or improperly lubricated pistol
- Bad ammunition
- Damaged magazines
- Operator error

SECTION 7 LOCK-OUT DEVICE

HK45 and HK45 Compact pistols are equipped with a patented HK Lock-Out™ device unless otherwise specified by the agency or contract. This component replaces the grip panel in the frame and when engaged locks the handgun's action by blocking any movement of the trigger, the hammer, and the slide. The handgun is locked and cannot fire until unlocked. The Lock-Out control plate is accessible through the pistol's magazine well (See Figure 40).



Figure 40
Turning the key clockwise 1/4 turn locks the action,
turning it counterclockwise unlocks the action

CLEAR the pistol and dry fire it prior to activating the Lock-Out device. Use the two-pronged key supplied with the pistol to lock or unlock the pistol as desired. When the holes on the Lock-Out Device are horizontally positioned the pistol is locked and cannot be fired (See Figure 41). When the holes on the Lock-Out Device are vertically positioned the pistol is unlocked and can be fired (See Figure 42).



Figure 41 — Locked position



Figure 42 — Unlocked/fire position

Special LEM Considerations and the HK Lock-Out Device

On HK45 pistols that have LEM parts and HK Lock-Out Device installed, the HK Lock-Out Device cannot be engaged (locked) if the Law Enforcement Modification cocking piece is cocked and the hammer spring is compressed. To engage the HK Lock-Out Device on pistols fitted with LEM parts the pressure stored in the hammer spring must first be released. You must CLEAR the pistol (see page 21), ensure that it is unloaded and safe and dry fire the pistol once to release the cocking piece and the tension on the hammer spring before you can engage the HK Lock-Out Device.

NOTICE The HK Lock-Out device is not a substitute for safe gun handling practices. Never point the muzzle of the pistol in an unsafe direction (at yourself or others). When the Lock-Out device is placed in the locked position, the slide is locked in the closed position and cannot be moved! Forcing the slide rearward while the Lock-Out device is in this locked position will damage the pistol.

SECTION 8 HK45 ACCESSORIES

NOTICE Improperly designed or installed accessories may result in damage to the mounting grooves and/or the pistol. Such damage is not covered under warranty.

RAIL MOUNTED ACCESSORIES

HK45 pistols have a Picatinny-style rail molded into the front, lower portion of their frame assemblies (dust covers). This rail allows the operator to mount a wide variety of lights, lasers, and additional accessories to the handgun by means of the simple and proven Picatinny interface system (see Figure 43).

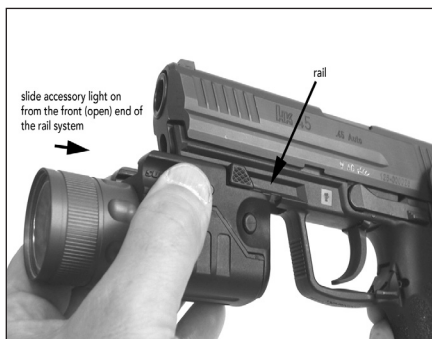


Figure 43
Mounting accessory light on HK45 Picatinny-style rail

Always ensure the HK45 pistol is "CLEAR" and unloaded before installing or removing accessories. The CLEARING AND SAFETY CHECK PROCEDURE can be found in Section 4. To avoid damage to the accessory and the HK45 pistol, carefully follow the instructions of the manufacturer for installing, operating, and removing accessories from the mounting rails.

Most lights, aiming devices, and similar accessories are installed by sliding them onto the front of the rail system while depressing a locking mechanism or clipping them on from the bottom. Always follow the installation instructions of the accessory manufacturer.

"Tactical" HK45 Pistol

The HK45 or HK45 Compact "Tactical" pistols have all of the features found on the standard pistol with the addition of the following:

- extended threaded barrel
- high profile front and rear sights

EXTENDED BARREL AND MUZZLE THREADS

The HK cold hammer forged, polygonal barrel is engineered for increased accuracy, improve service life, and user safety in case of obstructed bore occurrences. The left-hand threads used on the barrel of the HK45 tactical pistol barrels will accept only those accessories designed for the pistol. (See Figure 44) A threaded cap is included to protect the threads during use and rough handling. High profile front sight (installed by an HK Certified Armorer)

High profile front and rear sights are mounted on the slide in dovetails. High profile sights allow the operator to obtain a normal sight picture when an optional sound suppressor is mounted. (See Figure 45)



Figure 44
Threaded Barrel



Figure 45
HK45CT with suppressor

NOTICE MK23 and USP45 Tactical sound suppressors may not function well when attached to the HK45 or HK45C pistols as they are not “tuned” for proper function on these models! For more information on use of sound suppressors with HK45 Tactical and HK45 Compact Tactical pistols, please contact HK Customer Service.

Use of Sound Suppressors (includes some product specific information)
Remember, the barrel and the suppressor piston have LEFT HAND threads.

1. Install the suppressor on the barrel by turning it counterclockwise on the barrel threads.
2. Check suppressor frequently to ensure it is securely attached to the barrel.
Remember, LEFT HAND threads.
3. To remove the suppressor, turn it “clockwise” on the barrel threads.

NOTICE Even though all types of high, velocity supersonic (+P) ammunition can be fired, for maximum effectiveness (suppression) subsonic ball ammunition should be used when a sound suppressor is attached.

Assembly and disassembly of HK45 and HK45 Compacts with threaded barrels (HK45 Tactical and HK45 Compact Tactical) is the same as for other HK45 pistols depicted in this manual.

SECTION 9 WARRANTY

WARRANTY REGISTRATION

New HK firearms are covered by Heckler & Koch, Inc.'s Limited Lifetime Warranty. Warranty registration is now online. To register your new HK firearm, go to: <https://hk-usa.com/warranty/registration/>

If you do not have access to the Internet, contact Heckler & Koch, Inc. to obtain a warranty registration form:

HK Customer Service
5675 Transport Boulevard
Columbus, GA 31907
Telephone: 706-701-5554.
Email: cs@heckler-koch-us.com

HECKLER & KOCH, INC. LIMITED LIFETIME WARRANTY

All new Heckler & Koch, Inc. firearms purchased after January 1, 1998, are warranted to the original retail purchaser only for the lifetime of the said original retail purchaser. In the event that this original retail purchaser, at the time of the original purchase, shall donate this firearm to another person, the donee name must be submitted during the online warranty registration. Heckler & Koch, Inc. does not guarantee or warrant that any, all, or some donations or gifts are valid and compliant with all applicable laws, regulations, and ordinances. Heckler & Koch, Inc. is not responsible or liable in any way for a donation or gift that does not comply with applicable laws, regulations, and ordinances. It is the responsibility of the original retail purchaser and the donee or recipient to ensure that any such transfer complies with all applicable laws, regulations, and ordinances. Upon completion of the online warranty registration indicating the name of the said donee, this warranty shall be extended to the lifetime of the said donee. This warranty applies only if the firearm was imported into the United States and distributed by Heckler & Koch, Inc. to an authorized dealer.

What Will We Do?

Heckler & Koch Inc. will, at its option, repair or replace without charge any HK firearm that fails due to a defect in materials or workmanship. Parts and labor are included. Repairs are warranted for the duration of the warranty. If Heckler & Koch, Inc. replaces a firearm under this warranty; you will receive a new warranty. Heckler & Koch, Inc. will return your firearm to you shipping pre-paid.

How to Obtain Service:

Contact Heckler & Koch, Inc. via phone at 706-701-5554 or email at cs@heckler-koch-us.com for a Return Authorization Number before sending your firearm freight prepaid to Heckler & Koch, Inc. at the address listed below. No C.O.D. shipments will be accepted.

Only the existing Heckler & Koch, Inc. Service Center or any other authorized Heckler & Koch, Inc. Service Center that may be established by Heckler & Koch, Inc. shall be authorized to make warranty repairs.

Return the complete, unloaded firearm with a detailed description of the problem using Heckler & Koch, Inc.'s Return Form.

DO NOT send any live ammunition with the firearm. If you must send ammunition to us for proof purposes, be sure that it is sent separately from the firearm.

We strongly recommend that you complete the online warranty registration at <https://hk-usa.com/warranty/registration/> to establish eligibility for warranty service. If you do not return an acknowledgment of online warranty registration to Heckler & Koch, Inc., you are required to provide adequate proof of the date that you purchased your new HK firearm at the time you send your firearm to Heckler & Koch, Inc. for warranty service.

In the event that this firearm was given as a gift at the time of original purchase, the online warranty registration with the name of the donee must be provided to Heckler & Koch Inc., in order for the warranty to become effective.

Note: Non-warranty servicing must follow the same shipping procedures as stated above. HK firearms with a valid Return Authorization Number should be shipped to the following address in accordance with these instructions:

HKI

Attn: Service Department/RA# _____

5675 Transport Blvd.

Columbus, GA 31907

Any information gathered in connection with a Heckler & Koch Inc. lifetime limited warranty shall be used for that purpose and may be used for other legitimate business purposes of Heckler & Koch Inc. For further information, please review Heckler & Koch, Inc.'s Privacy Policy, located at <https://hk-usa.com/cookie-policy-us/>

What Is Not Covered?

This warranty does not cover defects or damage caused by: (1) unreasonable use; (2) failure to provide proper care or maintenance; (3) failure to comply with instructions in the operator's manual including improper installation of original Heckler & Koch Inc. parts by the owner or his agent; (4) normal wear and tear for the degree of use; (5) rust or corrosion; (6) obstructions in the barrels; (7) excessive use; and/or (8) external and internal cosmetic finishes.

Heckler & Koch, Inc. reserves the right to determine what constitutes the unreasonable or excessive use of the firearm. All wooden parts and all accessories are excluded from warranty coverage.

This warranty does not cover any claims made by the second or subsequent owner of an HK firearm as stated above.

NOTICE Any unauthorized alteration or modification of the firearm or use of parts or components not originally made by Heckler & Koch, Inc. may void this warranty. Heckler & Koch, Inc. is not be responsible for any claims involving this firearm that result from the use of faulty, nonstandard, remanufactured, or reloaded ammunition or ammunition not manufactured to NATO, CIP, and/or SAMMI specifications.

Under no circumstances shall Heckler & Koch, Inc. be responsible or liable for incidental or consequential damages with respect to loss of use, loss of business or profits, other economic loss or injury to property, whether as a result of breach of express or implied warranty, negligence or otherwise. This Limited Lifetime Warranty applies only to retail purchases by individuals through an authorized Heckler & Koch, Inc. dealer.

Residents of CALIFORNIA, CONNECTICUT, DISTRICT OF COLUMBIA, HAWAII, MARYLAND, MASSACHUSETTS, MICHIGAN, NEW JERSEY, NEW YORK, AND U.S. TERRITORIES.

Any work involving replacement of the receiver of a firearm requires that the firearm be returned to a licensed firearms dealer. A current, signed copy of the dealer's FFL will be required. Please provide contact information for the chosen dealer, if applicable.

NOTICE Customers in restrictive capacity states: **DO NOT ship high capacity magazines to Heckler & Koch Inc. They cannot be returned.**

Exclusions

This lifetime warranty explicitly excludes firearms purchased by the United States military, government institutions or agencies of the United States or any of its constituent states and territories, law enforcement agencies of the United States or any of its constituent states and territories, and/or security organizations located within the United States or any of its constituent states and territories. Firearms purchased by these entities and organizations for duty issue to their personnel and/or employees are covered by a one-year limited warranty against material defects and workmanship or as agreed upon in a valid contract.

This lifetime warranty also excludes rimfire .22L R firearms, and all suppressors, which are covered by a one-year warranty.

Some states do not allow the exclusion or limitation of incidental or consequential damages, so the above limitations or exclusions may not apply to you. This warranty gives you specific legal rights, and you may also have other rights, which vary from state to state. This limited warranty is the only express warranty by Heckler & Koch Inc.

Heckler & Koch Inc. does not authorize any dealer or any other person to vary the terms of this warranty or make any other express warranties.

Heckler & Koch, Inc. Lifetime Barrel Guarantee

Heckler & Koch, Inc. guarantees the serviceability of the bore of the barrels of all MR A4 Series rifles and pistols for the lifetime of the original consumer purchaser for individual use. This guarantee is based on barrels meeting standards on accuracy, velocity, and useability across the entire life of the A4 system. If at any time an A4 barrel fails to meet these standards, Heckler & Koch, Inc. will replace the barrel.



Where to Get Further Help

If you have questions concerning this warranty, please contact Heckler & Koch, Inc.'s Customer Service Department at:
5675 Transport Blvd.
Columbus, GA 31907
Telephone: 706-701-5554
Email: cs@heckler-koch-us.com

SECTION 10 YOUTH HANDGUN SAFETY NOTICE

YOUTH HANDGUN SAFETY NOTICE

1. The misuse of handguns is a leading contributor to juvenile violence and fatalities.
2. Safely storing and securing firearms away from children will help prevent the unlawful possession of handguns by juveniles, stop accidents, and save lives.
3. Federal law prohibits, except in certain limited circumstances, anyone under 18 years of age from knowingly possessing a handgun, or any person from selling, delivering, or otherwise transferring a handgun to a person under 18.
4. A knowing violation of the prohibition against selling, delivering, or otherwise transferring a handgun to a person under the age of 18 is, under certain circumstances, punishable by up to 10 years in prison.

FEDERAL LAW

The Gun Control Act of 1968, 18 U.S.C. Chapter 44, provides in pertinent part as follows:

18 U.S.C. §922(x)

1. It shall be unlawful for any person to sell, deliver, or otherwise transfer to a person who the transferor knows or has reasonable cause to believe is a juvenile –
 - A. a handgun; or
 - B. ammunition that is suitable for use only in a handgun.
2. It shall be unlawful for any person who is a juvenile to knowingly possess –
 - A. a handgun; or
 - B. ammunition that is suitable for use only in a handgun.
3. This subsection does not apply to –
 - A. a temporary transfer of a handgun or ammunition to a juvenile or to the possession or use of a handgun or ammunition by a juvenile if the handgun and ammunition are possessed and used by the juvenile –
 - i. in the course of employment, in the course of ranching or farming related to activities at the residence of the juvenile (or on property used for ranching or farming at which the juvenile, with the permission of the property owner or lessee, is performing activities related to the operation of the farm or ranch), target practice, hunting, or a course of instruction in the safe and lawful use of a handgun;
 - ii. with the prior written consent of the juvenile's parent or guardian who is not prohibited by Federal, State, or local law from possessing a firearm, except –
 - I. during transportation by the juvenile of an unloaded handgun in a locked container directly from the place of transfer to a place at which an activity described in clause (i) is to take place and transportation by the juvenile of that handgun, unloaded and in a locked container, directly from the place at which such an activity took place to the transferor; or
 - II. with respect to ranching or farming activities as described in clause (i), a juvenile may possess and use a handgun or ammunition with the prior written approval of the juvenile's parent or legal guardian and at the direction of an adult who is not prohibited by Federal, State or local law from possessing a firearm;

- iii. the juvenile has the prior written consent in the juvenile's possession at all times when a handgun is in the possession of the juvenile; and
 - iv. in accordance with State and local law;
 - B. a juvenile who is a member of the Armed Forces of the United States or the National Guard who possesses or is armed with a handgun in the line of duty;
 - C. a transfer by inheritance of title (but not possession) of a handgun or ammunition to a juvenile; or
 - D. the possession of a handgun or ammunition by a juvenile taken in defense of the juvenile or other persons against an intruder into the residence of the juvenile or a residence in which the juvenile is an invited guest.
- 4. A handgun or ammunition, the possession of which is transferred to a juvenile in circumstances in which the transferor is not in violation of this subsection shall not be subject to permanent confiscation by the Government if its possession by the juvenile subsequently becomes unlawful because of the conduct of the juvenile, but shall be returned to the lawful owner when such handgun or ammunition is no longer required by the Government for the purposes of investigation or prosecution.
- 5. For purposes of this subsection, the term "juvenile" means a person who is less than 18 years of age.
- 6.
 - A. In a prosecution of a violation of this subsection, the court shall require the presence of a juvenile defendant's parent or legal guardian at all proceedings.
 - B. The court may use the contempt power to enforce subparagraph (A).
 - C. The court may excuse attendance of a parent or legal guardian of a juvenile defendant at a proceeding in a prosecution of a violation of this subsection for good cause shown.

18 U.S.C. § 924(a)(6)

- i. A juvenile who violates section 922(x) shall be fined under this title, imprisoned not more than 1 year, or both, except that a juvenile described in clause (ii) shall be A sentenced to probation on appropriate conditions and shall not be incarcerated unless the juvenile fails to comply with a condition of probation.
- ii. A juvenile is described in this clause if –
 - I. the offense of which the juvenile is charged is possession of a handgun or ammunition in violation of section 922(x)(2); and
 - II. the juvenile has not been convicted in any court of an offense (including an offense under section 922(x) or a similar State law, but not including any other offense consisting of conduct that if engaged in by an adult would not constitute an offense) or adjudicated as a juvenile delinquent for conduct that if engaged in by an adult would constitute an offense.
- B. A person other than a juvenile who knowingly violates section 922(x) –
 - i. shall be fined under this title, imprisoned not more than 1 year, or both; and
 - ii. if the person sold, delivered, or otherwise transferred a handgun or ammunition to a juvenile knowing or having reasonable cause to know that the juvenile intended to carry or otherwise possess or discharge or otherwise use the handgun or ammunition in the commission of a crime of violence, shall be fined under this title, imprisoned not more than 10 years, or both.

SECTION 11 STATE REQUIRED SAFETY NOTICES

STATE REQUIRED SAFETY NOTICES

Certain states have laws requiring that specific warnings be provided with handguns sold in those states as a result of which safety warnings are included in this manual.

CALIFORNIA:



WARNING

"Firearms must be handled responsibly and securely stored to prevent access by children and other unauthorized users. California has strict laws pertaining to firearms, and you may be fined or imprisoned if you fail to comply with them. Visit the Web site of the California Attorney General at <https://oag.ca.gov/firearms> for information on firearm laws applicable to you and how you can comply.

Prevent child access by always keeping guns locked away and unloaded when not in use. If you keep a loaded firearm where a child obtains and improperly uses it, you may be fined or sent to prison.

If you or someone you know is contemplating suicide, please call the national suicide prevention lifeline at 1-800-273-TALK (8255)."



ADVERTENCIA

"Las armas de fuego deben manipularse de manera responsable y segura para evitar el acceso de niños y otros usuarios no autorizados. California tiene leyes estrictas relacionadas con armas de fuego, y usted puede ser multado o encarcelado si no las cumple. Visite la página web del Procurador General de California en <https://oag.ca.gov/firearms> para obtener información sobre las leyes de armas de fuego que le son aplicables y cómo puede cumplirlas.

Evite el acceso de niños manteniendo siempre las armas bloqueadas y descargadas cuando no estén en uso. Si mantiene un arma de fuego cargada donde un niño obtiene y la usa indebidamente, se le puede multar o enviar a prisión.

Si usted o alguien que conoce está pensando en suicidarse, llame a la línea nacional de prevención del suicidio al 1-800-273-TALK (8255)."

CONNECTICUT:

"UNLAWFUL STORAGE OF A LOADED FIREARM MAY RESULT IN IMPRISONMENT OR FINE."

FLORIDA:

"IT IS UNLAWFUL, AND PUNISHABLE BY IMPRISONMENT AND FINE, FOR ANY ADULT TO STORE OR LEAVE A FIREARM IN ANY PLACE WITHIN THE REACH OR EASY ACCESS OF A MINOR UNDER 18 YEARS OF AGE OR TO KNOWINGLY SELL OR OTHERWISE TRANSFER OWNERSHIP OR POSSESSION OF A FIREARM TO A MINOR OR A PERSON OF UNSOUND MIND."

MAINE:

"ENDANGERING THE WELFARE OF A CHILD IS A CRIME. IF YOU LEAVE A FIREARM AND AMMUNITION WITHIN EASY ACCESS OF A CHILD, YOU MAY BE SUBJECT TO FINE, IMPRISONMENT OR BOTH. KEEP FIREARMS AND AMMUNITION SEPARATE. KEEP FIREARMS AND AMMUNITION LOCKED UP. USE TRIGGER LOCKS."

MARYLAND:

"WARNING: Children can operate firearms which may cause death or serious injury. It is a crime to store or leave a loaded firearm in any location where an individual knew or should have known that an unsupervised minor would gain access to the firearm. Store your firearm responsibly!"

MASSACHUSETTS:

"WARNING FROM THE MASSACHUSETTS ATTORNEY GENERAL: This handgun is not equipped with a device that fully blocks use by unauthorized users. More than 200,000 firearms like this one are stolen from their owners every year in the United States. In addition, there are more than a thousand suicides each year by younger children and teenagers who get access to firearms. Hundreds more die from accidental discharge. It is likely that many more children sustain serious wounds or inflict such wounds accidentally on others. In order to limit the chance of such misuse, it is imperative that you keep this weapon locked in a secure place and take other steps necessary to limit the possibility of theft or accident. Failure to take reasonable preventive steps may result in innocent lives being lost, and in some circumstances may result in your liability for these deaths."

"IT IS UNLAWFUL TO STORE OR KEEP A FIREARM, RIFLE, SHOTGUN OR MACHINE GUN IN ANY PLACE UNLESS THAT WEAPON IS EQUIPPED WITH A TAMPER-RESISTANT SAFETY DEVICE OR IS STORED OR KEPT IN A SECURELY LOCKED CONTAINER."

NEW JERSEY:

"IT IS A CRIMINAL OFFENSE, PUNISHABLE BY A FINE AND IMPRISONMENT, FOR AN ADULT TO LEAVE A LOADED FIREARM WITHIN EASY ACCESS OF A MINOR."

NEW YORK CITY, NY:

"THE USE OF A LOCKING DEVICE OR SAFETY LOCK IS ONLY ONE ASPECT OF RESPONSIBLE WEAPON STORAGE. ALL WEAPONS SHOULD BE STORED UNLOADED AND LOCKED IN A LOCATION THAT IS BOTH SEPARATE FROM THEIR AMMUNITION AND INACCESSIBLE TO CHILDREN AND ANY OTHER UNAUTHORIZED PERSONS. NEW YORK CITY LAW PROHIBITS, WITH CERTAIN EXCEPTIONS, ANY PERSON FROM ACQUIRING MORE THAN ONE FIREARM, OR MORE THAN ONE RIFLE OR SHOTGUN, WITHIN A 90-DAY PERIOD."

NORTH CAROLINA:

"IT IS UNLAWFUL TO STORE OR LEAVE A FIREARM THAT CAN BE DISCHARGED IN A MANNER THAT A REASONABLE PERSON SHOULD KNOW IS ACCESSIBLE TO A MINOR."

"Any person who resides in the same premises as a minor, owns or possesses a firearm, and stores or leaves the firearm (i) in a condition that the firearm can be discharged and (ii) in a manner that the person knew or should have known that an unsupervised minor would be able to gain access to the firearm, is guilty of a Class 1 misdemeanor if a minor gains access to the firearm without the lawful permission of the minor's parents or a person having charge of the minor and the minor:

- (1) Possesses it in violation of G.S. 14-269.2(b);
- (2) Exhibits it in a public place in a careless, angry, or threatening manner;
- (3) Causes personal injury or death with it not in self-defense; or
- (4) Uses it in the commission of a crime."

TEXAS:

"IT IS UNLAWFUL TO STORE, TRANSPORT, OR ABANDON AN UNSECURED FIREARM IN A PLACE WHERE CHILDREN ARE LIKELY TO BE AND CAN OBTAIN ACCESS TO THE FIREARM."

WISCONSIN:

"IF YOU LEAVE A LOADED FIREARM WITHIN THE REACH OR EASY ACCESS OF A CHILD YOU MAY BE FINED OR IMPRISONED OR BOTH IF THE CHILD IMPROPERLY DISCHARGES, POSSESSES OR EXHIBITS THE FIREARM."

State laws and regulations concerning firearms change constantly. Please check with your State Attorney General's Office or State Police for additional laws and regulations regarding the storage and use of firearms in your state.

SECTION 12 PARTS LIST (HK45 MODELS)

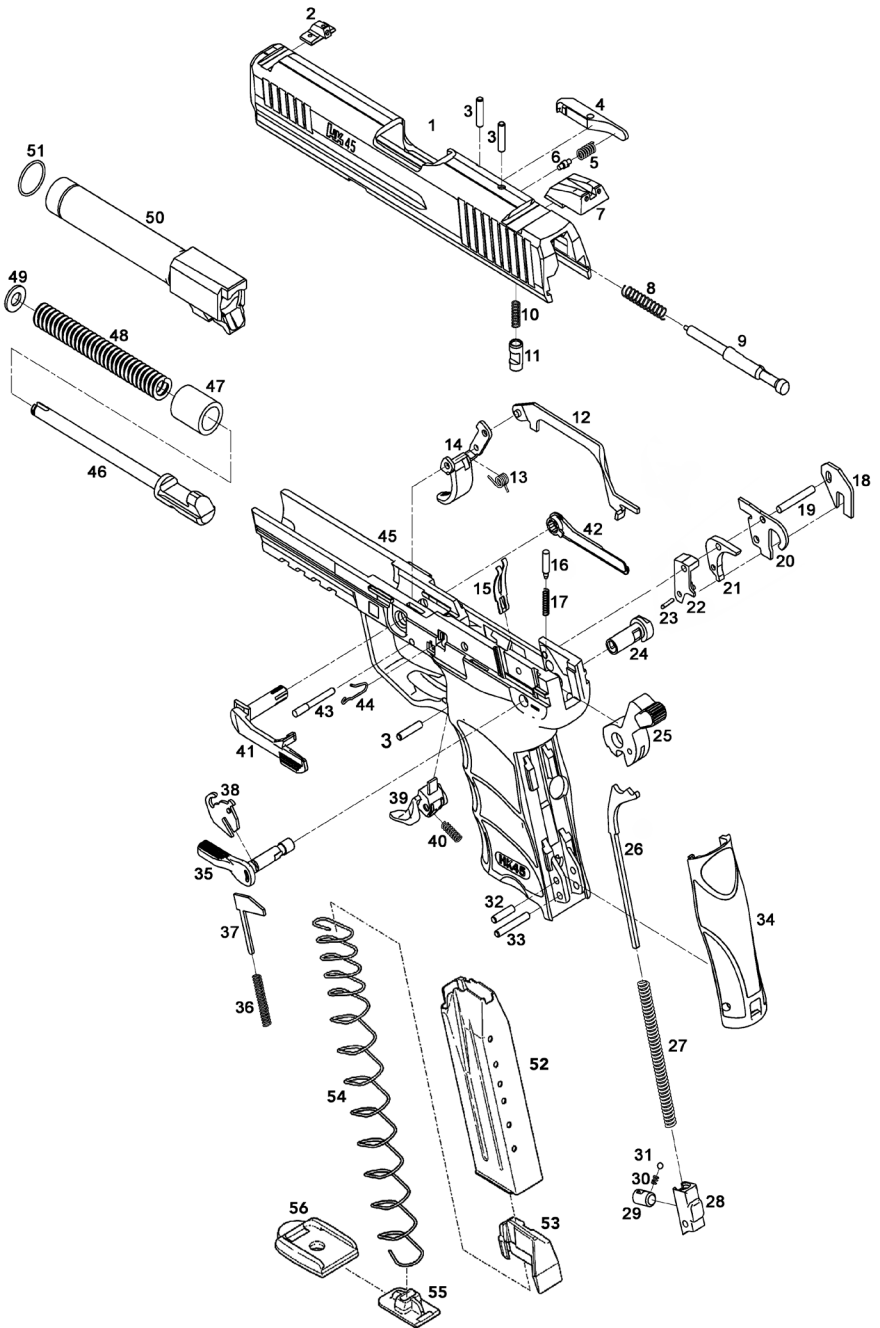
Item	Description	Part Number	Item	Description	Part Number
	Slide, complete (1-11)			Magazine (10 round) complete, not illustrated.....	50248620
1	Slide.....	50242888		Lockout Key (not illustrated).....	50227539
2	Front sight, complete (6,3 mm).....	51001085			
3	Roll pin (3x).....	50988891			
4	Extractor.....	50218316			
5	Extractor spring.....	50218315			
6	Rubber plug.....	50209294			
7	Rear sight, complete.....	51001048			
8	Firing pin spring.....	50214190			
9	Firing pin.....	50233370			
10	Firing pin block spring.....	50209296			
11	Firing pin block.....	50209313			
	Frame, complete (12-45)				
12	Trigger bar.....	50215924			
13	Trigger rebound spring.....	50214164			
14	Trigger.....	50234458			
15	Flat spring.....	50214167			
16	Trigger bar bolt.....	50214165			
17	Trigger bar spring.....	50214166			
18	Disconnecter.....	50214840			
19	Sear axle.....	50214101			
20	Catch.....	50214817			
21	Sear actuator latch.....	50219442			
	Sear, complete (22/23).....	50229882			
22	Sear (incomplete).....	214180			
23	Roll pin.....	982785			
24	Hammer axle.....	50214774			
25	Hammer.....	50218570			
26	Hammer strut.....	50214819			
27	Hammer spring.....	215694			
	Gunlock, complete (28-31).....	50234664			
28	Gunlock.....	234665			
29	Safety lever.....	207191			
30	Compression spring.....	985934			
31	Ball.....	929134			
32	Cylindrical pin.....	50970074			
33	Clamping pin.....	50978170			
34	Back strap "S".....	51000035			
	Back strap "M".....	51000033			
35	Safety lever.....	50234339			
36	Compression spring.....	50214104			
37	Slide plate.....	50214105			
38	Detent plate.....	50234465			
39	Magazine release.....	50234296			
40	Magazine release spring.....	50215929			
41	Slide release.....	50234337			
42	Slide release, right.....	50209268			
43	Trigger axle.....	50214154			
44	Shaped spring.....	50214171			
45	Frame.....	51000038			
	Recoil spring guide rod, complete (46-49).....	233314			
46	Recoil spring guide rod.....	50233315			
47	Sleeve.....	50233371			
48	Recoil spring.....	50234250			
49	Recoil spring retainer.....	50215831			
50	Barrel.....	50233319			
	Threaded barrel (not illustrated).....	226351			
51	O-ring.....	50986429			
52	Magazine housing (10 round).....	233317			
53	Follower.....	215938			
54	Magazine spring.....	234155			
55	Locking plate/insert.....	215937			
56	Magazine floorplate.....	227523			

HK45 LEM PARTS LIST

-	Universal LEM kit.....	260204
-	Elbow spring for trigger.....	219441
-	Release catch.....	219439
-	Hammer axle.....	214258
-	Hammer, compl.....	219452
-	Elbow spring for hammer.....	219444
-	Cocking piece.....	219443
-	Hammer spring.....	214695

Parts and accessories are available at
us.hkwebshop.com or by contacting HK
 Customer Service at 706-701-5554.

Figure 46 — HK45
Exploded Diagram



SECTION 12 PARTS LIST (HK45C MODELS)

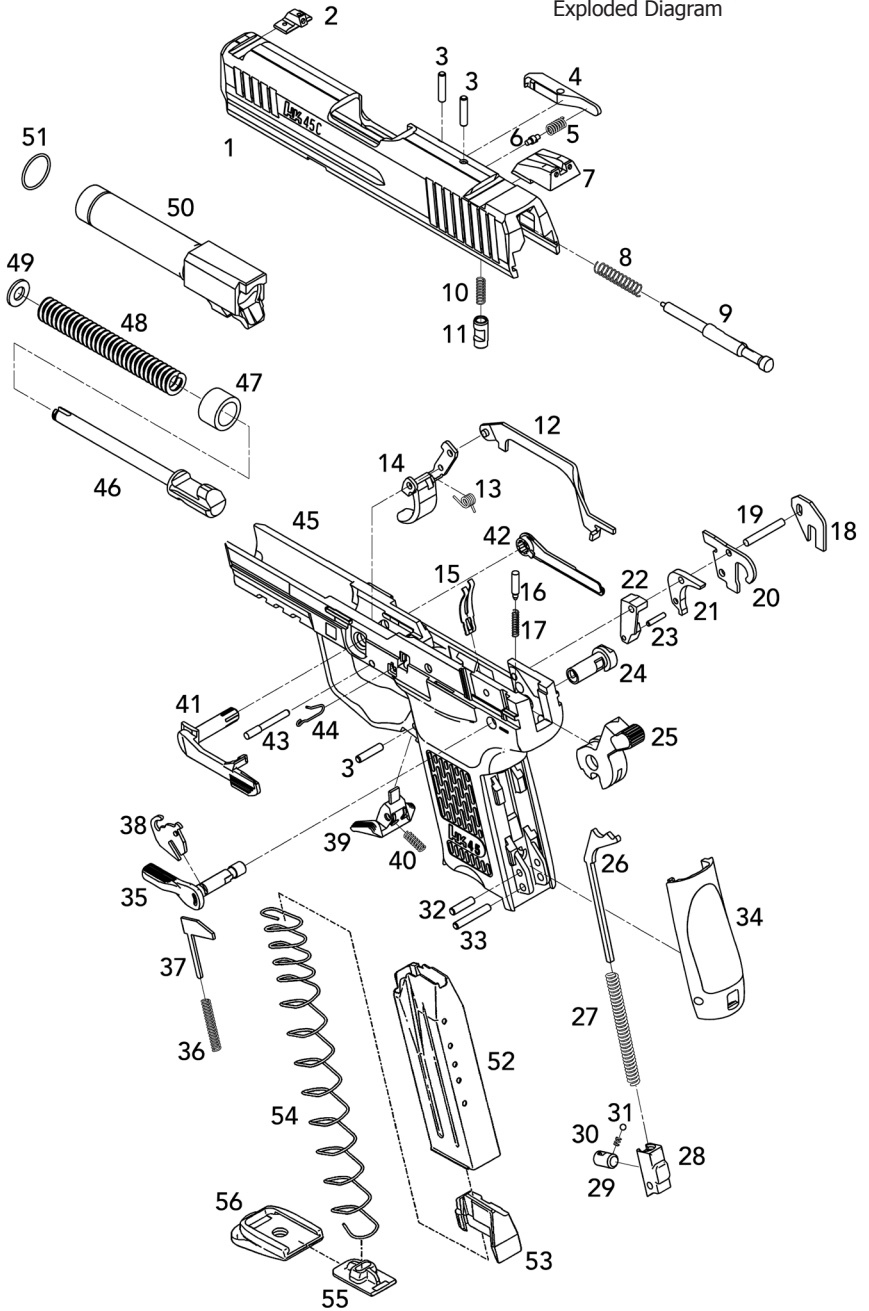
Item	Description	Part Number	Item	Description	Part Number
Slide, complete (1-11)					
1	Slide.....	50242892		Magazine, 10 rd. comp (not shown)	50248619
2	Front sight, complete (6,3 mm).....	51001085		Magazine housing (10 round).....	233317
3	Roll pin (3x).....	50988891		Follower	215938
4	Extractor	50218316		Magazine spring (10 round)	234155
5	Extractor spring	50218315		Locking plate/insert.....	215937
6	Rubber plug.....	50209294		Magazine floorplate (10 round)	234151
7	Rear sight, complete.....	51001048		Lockout Key	50227539
8	Firing pin spring	50215822			
9	Firing pin	50215928			
10	Firing pin block spring	50209296			
11	Firing pin block	50209313			
Frame, complete (12-45)					
12	Trigger bar.....	50215924			
13	Trigger rebound spring	50214164			
14	Trigger	50215816			
15	Flat spring	50214167			
16	Trigger bar bolt	50214165			
17	Trigger bar spring.....	50214166			
18	Disconnecter.....	50214840			
19	Sear axle	50214101			
20	Catch	50214817			
21	Sear actuator latch	50219442			
	Sear, complete (22/23)	50229882			
22	Sear (incomplete).....	214180			
23	Roll pin.....	982785			
24	Hammer axle	50214774			
25	Hammer	50218570			
26	Hammer strut	50234459			
27	Hammer spring.....	50234479			
	Gunlock, complete (28-31).....	50234664			
28	Gunlock.....	234665			
29	Safety lever	207191			
30	Compression spring	985934			
31	Ball	929134			
32	Cylindrical pin	50970074			
33	Clamping pin.....	50978170			
34	Back strap "S".....	51000036			
	Back strap "M".....	51000034			
35	Safety lever	50234339			
36	Compression spring	50214104			
37	Slide plate	50214105			
38	Detent plate.....	50234465			
39	Magazine release	50234270			
40	Magazine release spring.....	50215929			
41	Slide release	50234337			
42	Slide release, right	50209268			
43	Trigger axle	50214154			
44	Shaped spring.....	50214171			
45	Frame	51000037			
Frame, complete (12-45)					
46	Recoil spring guide rod	50215931			
47	Sleeve	50215932			
48	Recoil spring	50215830			
49	Recoil spring retainer.....	50215831			
	Recoil spring guide rod (comp (46-49).....	215930			
50	Barrel.....	50242849			
	Threaded barrel (not illustrated).....	226350			
51	O-ring	50986429			
	Magazine 8round comp. (not shown)....	50248621			
52	Magazine housing (8 round).....	215934			
53	Follower	215938			
54	Magazine spring	214212			
55	Locking plate/insert	215937			
56	Magazine floorplate (8 round)	234150			

HK45 COMPACT LEM PARTS LIST

-	Universal LEM kit	260204
-	Elbow spring for trigger.....	219441
-	Release catch	219439
-	Hammer axle.....	214258
-	Hammer, compl	219452
-	Elbow spring for hammer	219444
-	Cocking piece	219443
-	Hammer spring.....	234460

Parts and accessories are available at
us.hkwebshop.com or by contacting HK Customer
 Service at 706-701-5554.

Figure 47 — HK45 Compact
Exploded Diagram





HECKLER & KOCH
5675 Transport Boulevard
Columbus, Georgia 31907
Tel: 706-701-5554
USA Website: www.hk-usa.com



This product can expose you to chemicals including lead, which is known to the State of California to cause cancer and birth defects or other reproductive harm. For more information go to www.P65Warnings.ca.gov.