

# OPERATOR'S MANUAL

# CC9 SERIES



**▲ WARNING** Read this manual carefully before handling, loading, or using your HK CC9 pistol.

**▲ WARNING** Like most modern handguns, the HK CC9 pistol is designed without a conventional manual safety. Therefore, you must consider it to be loaded and ready to fire until you have removed the magazine and visually and physically (with your finger) confirmed that the chamber is empty.

**SAFETY RULES:** Read this entire operator’s manual carefully and thoroughly before using, handling, or loading your firearm. The warnings and instructions in this operator’s manual are important. Firearm safety is YOUR responsibility. DO NOT use this firearm if you DO NOT fully understand the warnings and instructions in this operator’s manual. Firearms can be dangerous if not handled properly and safely. Failure to follow the warnings and instructions in this operator’s manual, or the improper use of this firearm, may result in serious injury or death, damage to the firearm, or other damage to property. This manual should always accompany your HK CC9 pistol if it is sold, given, or loaned to another person.

Whether you are an experienced shooter or have never handled a firearm before, you must read this entire manual carefully before handling, loading, or firing your HK CC9 pistol. Your safety and the safety of others depends upon you following the instructions and warnings in this manual and constant use of safe firearms practices. If you are unfamiliar with firearms, take a course in the safe handling of firearms conducted by a qualified firearms instructor, your local gun club, or a similar qualified organization.

This manual contains safety warnings and instructions preceded with, **▲WARNING** **▲CAUTION** or **NOTICE** symbols. These signal words are designed to draw your attention to important safety information.

**▲WARNING** Indicates a hazardous situation which, if not avoided, could result in death or serious personal injury.

**▲CAUTION** Indicates a hazardous situation which, if not avoided, could result in moderate or minor personal injury.

**NOTICE** Indicates safety practices not related to personal injury.

---

**These Warnings, Cautions and Notices will apply at all times.**

**▲WARNING** Failure to follow the safety information and instructions in this manual could result in death, serious personal injury and/or property damage.

**▲WARNING** Treat all firearms as if they are ALWAYS loaded. If any firearm is handled carelessly or improperly, you could cause a negligent discharge, which could result in death, serious personal injury, and/or property damage.

**▲WARNING** Keep your finger off the trigger and outside of the trigger guard until your sights are aligned on the target and you are ready to fire.

**▲WARNING** Keep your finger off the trigger and outside of the trigger guard while loading or unloading the firearm.

**▲WARNING** Keep your finger off the trigger and outside of the trigger guard while pulling the firearm out of the holster or while returning it to the holster.

**▲WARNING** Be sure of your target, backstop, and what is beyond.

**▲WARNING** NEVER give a firearm to or take a firearm from anyone unless the action is open, and the magazine and chamber are free of any ammunition or brass.

**▲WARNING** NEVER take anyone’s word that a firearm is unloaded. ALWAYS check for yourself, with the firearm pointed in a safe direction and your finger off of the trigger and outside the trigger guard.

**▲WARNING** Be sure that the ammunition you are using is factory loaded, is of the correct caliber for the firearm in which it is to be used, and that it is not damaged in any way. Do not use reloaded, remanufactured, or handloaded ammunition as it may not meet applicable NATO, SAAMI or CIP standards.

- ▲ WARNING** Before firing, remove the magazine from the firearm, lock the action open, make sure the chamber is CLEAR of any ammunition or brass, and check the barrel of the unloaded firearm for any possible obstructions.
- ▲ WARNING** Before firing any firearm that is unfamiliar to you, make sure that you understand exactly how it functions. A lack of familiarity with the firearm can result in serious injury or death, damage to the firearm or other damage to property. Attend a certified training course on any firearm which you intend to use or with which you are not sufficiently familiar.
- ▲ WARNING** ALWAYS wear adequate ear protection and eye protection when using your firearm. Ear protection should be commercially manufactured, at a minimum, provide a noise reduction rating (NRR) of 24 decibels. Eye protection should, at a minimum, provide impact protection with side panels and meet ANSI standard Z87.1.
- ▲ WARNING** Firearms should be locked and stored unloaded, secured, and separately from ammunition in a suitable container out of the sight and reach of children and/or any unauthorized individuals.
- ▲ WARNING** Never store or transport ammunition in the same container as your pistol.
- ▲ WARNING** Alcohol or drugs should NEVER be used before or during use or handling of a firearm. Your vision, balance, coordination, and judgment could be seriously impaired, making your firearm handling unsafe.
- ▲ WARNING** If or when you are taking medication, ALWAYS seek a doctor's advice to be sure you are able to use and handle your firearm properly and safely.
- ▲ WARNING** NEVER alter or modify your firearm because alterations or modifications may impair the use of the firearm, including causing malfunctions or dangerous conditions.
- ▲ WARNING** Discharging firearms in poorly ventilated areas, cleaning firearms, or handling ammunition may result in exposure to lead; a substance known to be associated with birth defects, reproductive harm and other serious injury or death. Always have adequate ventilation. Wash hands thoroughly after handling ammunition, firing your pistol, and/or performing preventative maintenance on your pistol to minimize your lead exposure.
- ▲ CAUTION** Keep all body parts, including the hands and fingers, away from the muzzle to avoid injury or burns.
- ▲ CAUTION** Be sure that no part of either hand touches or interferes with the slide. The slide is moved backward by the recoil force of the pistol during firing and may cause serious injury.

**Not all HK products are available to all U.S. states. Please check local laws and regulations before ordering. Heckler & Koch does not warrant that a person may legally purchase, possess, or carry specific items according to federal, state, or local laws.**

**Before leaving the factory, your HK CC9 pistol was tested, carefully inspected, and packaged. However, HK cannot control what happens to its pistols after they leave the factory, therefore, carefully examine your HK CC9 pistol when you acquire it to ensure that it is unloaded and undamaged.**

If you need another copy of this manual, do not understand any of the warnings or instructions, or if you have any problems operating your HK pistol, contact us at:

**HECKLER & KOCH**

5675 Transport Boulevard Columbus, Georgia 31907 • Customer Service: 706-701-5554  
USA Website: [www.hk-usa.com](http://www.hk-usa.com) • Email: [cs@heckler-koch-us.com](mailto:cs@heckler-koch-us.com)

**⚠ WARNING** READ THE INSTRUCTIONS AND WARNINGS IN THIS OPERATOR'S MANUAL CAREFULLY BEFORE USING OR HANDLING THIS FIREARM. A firearm has the capability of taking your life or the life of someone else! Be extremely careful with your firearm. An accident can occur at any time and is almost always the result of not following basic safety rules.

# OPERATOR'S MANUAL CC9 SERIES



## HECKLER & KOCH

5675 Transport Boulevard  
Columbus, Georgia 31907

Customer Service: 706-701-5554

USA Website: [www.hk-usa.com](http://www.hk-usa.com) • Email: [cs@heckler-koch-us.com](mailto:cs@heckler-koch-us.com)

© Heckler & Koch USA (Heckler & Koch Inc. and Heckler & Koch Defense Inc.) May 2026  
All rights reserved. Specifications and models subject to change without notice.

**DO NOT DISCARD THIS OPERATOR'S MANUAL.** This Operator's Manual should be kept with this firearm and be transferred with this firearm if there is a change in ownership or it is presented to another person.

## TABLE OF CONTENTS

<b>Safety Rules</b> .....	2-3
<b>Section 1 Nomenclature</b> .....	6
<b>Section 2 Specifications</b> .....	8
<b>Section 3 Function and Operation</b> .....	9
Cycle of Operation.....	9
Safety Features.....	10
<b>Section 4 Instructions for Use</b> .....	11
Ammunition.....	11
Filling and Emptying the Magazine.....	12
Loading.....	13
Sights and Aiming.....	14
Cover Plate Removal / Installation.....	14
Firing.....	16
Unloading and Safety Check.....	17
Clearing and Safety Check Procedure.....	18
<b>Section 5 Disassembly and Assembly</b> .....	20
Disassembly.....	20
Assembly.....	22
Function Check.....	24
Installation of Backstrap.....	25
Chassis Removal / Installation.....	26
Magazine Disassembly.....	28
Magazine Assembly.....	29
<b>Section 6 Cleaning and Maintenance</b> .....	31
Cleaning.....	31
Inspection.....	33
Lubrication.....	33
Storage and Transport.....	34
Troubleshooting Problems and Repair.....	35
<b>Section 7 CC9 Accessories</b> .....	35
<b>Section 8 Warranty</b> .....	38
<b>Section 9 Youth Handgun Safety Notice</b> .....	41
<b>Section 10 State Required Safety Notices</b> .....	43
<b>Section 11 Reese’s Law Safety Notice</b> .....	45
<b>Section 12 CC9 Parts List/Exploded View</b> .....	46
Firearms Service Record.....	48

## SECTION 1 NOMENCLATURE



Figure 1 – CC9 Series (right side view)

- |                        |                                       |
|------------------------|---------------------------------------|
| 1 Frame assembly       | 5 Extractor, loaded chamber indicator |
| 2 Serial number        | 6 Barrel                              |
| 3 Rear sight           | 7 Front sight                         |
| 4 Slide release, right | 8 Trigger guard                       |



Figure 2 – CC9 Series (left side view)

- |                       |                        |
|-----------------------|------------------------|
| 1 Slide               | 7 Trigger              |
| 2 Disassembly lever   | 8 Trigger safety       |
| 3 Slide release, left | 9 Picatinny-style rail |
| 4 Backstrap           | 10 Follower            |
| 5 Magazine            | 11 Magazine lips/body  |
| 6 Magazine release    | 12 Floorplate          |



Figure 3 – CC9 Series Cutaway View (loaded with ammunition)

## SECTION 2 SPECIFICATIONS

### CC9

---

Caliber	9 mm x 19 Luger
Operating Principle	Short recoil-operated
Action Type	Browning type, modified linkless locking system
Firing Mechanism	Striker-fired
Magazine Capacity	10 or 12 rounds

### DIMENSIONS & WEIGHT

---

Length	6.03 inches / 153 mm
Width	0.99 inches / 25 mm
Height	4.60 inches / 117 mm
Barrel Length	3.32 inches / 84 mm
Sight Radius	5.10 inches / 130 mm

Weight (with empty magazine)	19.7 oz / 558 grams
Weight (empty magazine)	2.3 oz / 65 grams

### OTHER DATA

---

Trigger Pull	4.5 - 5.5 pound force / 20 - 24 Newtons
Trigger Travel	0.24 inches / 6 mm
Return Travel	0.12 inches / 3 mm
Barrel Profile/Twist	Polygonal, 6 grooves, right-hand twist, 1 in 9.8 inches / 1 in 250 mm

### MISCELLANEOUS

---

Warranty	Limited Lifetime Warranty for the original retail (commercial/civilian) purchaser, one year for law enforcement and military agency purchases
Picatinny-style rail	Extended Picatinny-style rail with two slots located under dust cover
Safety	Firing pin block, trigger safety, disconnecter, loaded chamber indicator and disassembly safety. Pistol and magazine comply to NATO AC/225, TOP 3-2-045, and SAAMI safety specifications including drop tests
Disassembly	No tools required for user field strip. Magazine must be removed for disassembly. Minimal tools (simple punches) required for detailed level disassembly
Optics Compatibility	Shield RMSc/Holosun K footprint

## SECTION 3 FUNCTION AND OPERATION

### CYCLE OF OPERATION

The cycle of operation is a recurring sequence of mechanical events which takes place in the operation of a self-loading firearm. The sequence for the CC9 pistol begins with a loaded magazine inserted into the magazine well with the slide locked back to the rear.

#### **1. Feeding: Removal of a round from the magazine**

Depressing either side of the ambidextrous slide release or pulling slightly back on the slide and releasing allows the recoil spring to expand, driving the slide forward. The feed strip is a boss located on the bottom of the slide that passes between the feed lips of the magazine housing, contacting the top cartridge, and pushing it towards the chamber. The bullet then contacts the barrel feed ramp, guiding the nose of the bullet towards the chamber.

#### **2. Cocking: Accomplished when the recoil spring drives the slide into battery**

As the slide is forced forward by the recoil spring, the cocking pawl on the bottom of the firing pin engages the intercept notch on the top of the sear and thus tensioning the firing pin spring.

#### **3. Chambering: Placing and seating the round into the chamber of the barrel**

The recoil spring continues to expand, driving the slide forward and the slide positions the cartridge into the chamber. The base of the cartridge continues to pivot upwards as the slide mounted extractor engages the cartridge extractor rim. Chambering is complete by the time the barrel starts to move when the slide comes in contact with the back of hood of the barrel and starts to pivot the barrel upwards and forward.

#### **4. Locking: Closing and locking of the breech mechanism prior to the shot**

As the slide is moving forward, the slide breech face contacts the back of the barrel hood and thus pivots the barrel upward until the locking surface of the barrel engages the forward edge of the ejection port. The locking phase is complete when the barrel stops its upward movement against the slide.

#### **5. Firing: Ignition of the cartridge**

As the operator pulls back on the trigger, the trigger safety pivots upwards, allowing the trigger to be pulled back towards the rear. The trigger bar, connected to the trigger, moves back as well, engaging and rotating the disconnecter. The rotation of the disconnecter lifts the spring loaded firing pin safety upwards, out of the way of the firing pin before pushing the sear down and releasing the firing pin. The firing pin is driven forward by the expansion of the firing pin spring and strikes the primer of the loaded cartridge, firing the cartridge.

#### **6. Unlocking: Removal of any blocking mechanism to allow the opening of the breech**

The resultant force of the cartridge firing pushes the locked slide and barrel rearward together. After approximately 2mm of rearward travel, the barrel will begin to be pivoted downward as the barrel lug contacts the angular unlock block of the chassis.

#### **7. Extracting: Removal of the fired cartridge case or live round from the chamber**

With the barrel now retained by the chassis, the slide continues to move towards the rear. The extractor pulls the cartridge case from the chamber.

#### **8. Ejecting: Expulsion of the fired cartridge case or live round from the firearm**

The extractor is engaged with the cartridge case rim as the slide travels to the rear. The extractor creates a pivot and the chassis mounted ejector contacts the head of the cartridge. As the slide continues rearward, the ejector pushes the cartridge case out through the ejection port of the slide.

## SAFETY FEATURES

**▲ WARNING** Your CC9 pistol does not have a conventional manual safety and it will fire if the trigger is pulled when there is a round in the chamber.

**▲ WARNING** Although HK pistols have several design features and mechanical safeties designed to prevent an unintentional discharge if the pistol is dropped or hit, proper and safe function of your CC9 pistol depends upon it only being used for its intended purpose and not being altered or modified. As with any mechanical device, parts failures can occur if your CC9 pistol is subjected to unusual and extreme forces. Therefore, to minimize the risk of negligent discharge, serious injury, or death, safe firearm handling practices and the warnings and instructions in this manual must always be followed.

**NOTICE** The CC9 pistol is tested and rated to AC225/TOP/SAAMI drop standards. Firearms are dropped from a specified height, designed to simulate a handgun slipping from a user's hand in multiple orientations.

The CC9 incorporates the following safety features:

### 1. Firing Pin Safety

The slide mounted firing pin safety is designed to prevent accidental discharge from impact if the CC9 is struck or dropped. When at rest, the engagement notch on the safety is forced downward onto the top of the firing pin and engages the safety notch on the firing pin, blocking the firing pin from its full forward movement. Once the trigger is pulled, the trigger bar rotates the disconnecter, which pushes the firing pin safety upward and allows the full forward movement of the firing pin.

### 2. Firing Pin Return Spring

The firing pin return spring ensures that safety notch of the firing pin sits behind the engagement notch on the firing pin safety while both are at rest. This action ensures that the notch of the firing pin safety blocks the forward movement of the firing pin until the trigger is pulled.

### 3. Trigger Safety

The trigger mounted safety also helps prevent accidental discharge if the CC9 is struck or dropped. It blocks the rearward movement of the trigger assembly, immobilizing the trigger bar unless the trigger is properly pulled from front to rear. With the trigger bar unable to rotate the disconnecter, the sear remains upright and holds the cocked firing pin in place.

### 4. Trigger Bar Disconnect

The disconnecting feature in the slide ensures that the CC9 slide must be in battery before allowing the trigger bar to engage the disconnecter and, in turn, release the firing pin. When in battery, a recess on the bottom of the slide allows the trigger bar to rise upwards during its rearward travel and engage the disconnecter.

### 5. Disassembly Safety

The disassembly safety ensures that the magazine must be removed from the magazine well and the firing pin be decocked prior to disassembly. The disassembly safety lever is engaged when the takedown lever is rotated downward. If a magazine is present in the magazine well, the takedown lever is blocked from rotating, preventing the user from disassembling the pistol. The disassembly safety lever also pulls the sear downward and prevents the sear from engaging the firing pin during the cocking portion of the cycle. This allows the pistol to be disassembled without actuating the trigger.

The bottom of the slide prohibits the operation of the disassembly lever when the slide is forward. Having to lock the slide to the rear prior to manipulating the disassembly lever ensures that any cartridge present in the chamber is extracted and ejected.

## SECTION 4 INSTRUCTIONS FOR USE

### AMMUNITION

**▲WARNING** CC9 pistols are designed to fire quality, brass-cased, factory-loaded ammunition loaded to NATO, SAAMI (Sporting Arms and Ammunition Manufacturers' Institute), or CIP (Permanent International Commission for the Proof of Small Arms) specifications for use, specifically in handguns. **DO NOT USE "+P+" reloaded, remanufactured, steel cased, aluminum cased, or handloaded ammunition because it may not meet applicable NATO, SAAMI or CIP standards and could cause death, serious personal injury, and/or damage to your pistol and may void your warranty.**

**NOTICE** HK specifically disclaims any responsibilities for any damage or injury that may occur because of, or as a result of, the use of faulty, remanufactured, or reloaded (handloaded) ammunition, or of cartridges other than those for which the pistol was originally chambered.

Consider the following guidelines when selecting the correct ammunition which meets applicable NATO, SAAMI or CIP standards for your pistol:

1. Be sure the ammunition you have chosen is compatible with your pistol: proper caliber, cartridge, bullet weight, etc. Caliber markings on CC9 pistols appear on the barrel locking block, visible through the ejection port on the right side of the slide.
2. Prior to loading the magazine and chamber, carefully inspect all cartridges for any abnormalities, including, but not limited to:
  - Cracked, split, dirty, or corroded cases
  - Improperly seated projectiles and/or primers
  - Damaged projectiles
3. Do not attempt to fire a cartridge in which the projectile has been forced back into the case. Upon firing, this condition may result in increased chamber pressure above safe limits.
4. Do not fire ammunition that:
  - Is military surplus
  - Is assembled with corrosive primer and/or propellant
  - Steel or aluminum cased ammunition
  - Cast lead projectiles
  - Is exposed to oil, grease, water or direct sunlight. If possible, remove contaminants before use and cool down ammunition exposed to direct sunlight or heat. (Exposure to sources of heat could raise the chamber pressure of the cartridge above safe limits).
  - Is loaded specifically for use in submachine guns
  - Is rated as +P+

## FILLING AND EMPTYING THE MAGAZINE

**⚠ WARNING** Your CC9 pistol does not have a conventional manual safety and it will fire if the trigger is pulled when there is a round in the chamber, even if the magazine is removed.

**⚠ WARNING** NEVER forcefully insert a loaded magazine into a pistol. This may cause the pistol slide to close, chambering a cartridge and making the pistol ready to fire. When inserting a magazine, always be sure the pistol is pointed in a safe direction (a safe direction is one in which no one can possibly be injured in the event of an unintentional discharge) with your fingers off the trigger and outside the trigger guard. Failure to do so could cause you to unintentionally fire the pistol, resulting in serious injury, death, or other damage to property.

**NOTICE** Do not attempt to load more than the prescribed number of cartridges into the magazine. Do not alter the shape of the magazine housing, follower or spring. To do so may cause stoppages or the magazine may not seat properly in the pistol.

### Filling the Magazine

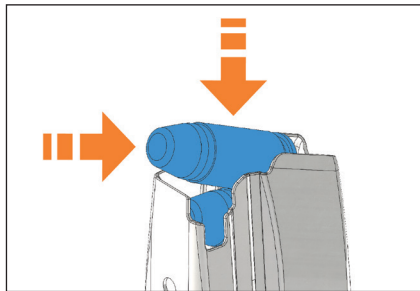


Figure 4 – Loading the magazine

1. Hold the magazine in the non-firing hand with the back side of the magazine resting against the palm.
2. Using the firing hand, hold a cartridge between the index finger and thumb with the projectile facing the palm.
3. Press the rim of the cartridge down against the forward edge of the magazine follower or on the top cartridge already in the magazine.
4. Slide the cartridge back into the magazine under the feed lips.
5. Repeat steps 1-4 until the magazine is full. The viewing holes in the back of the magazine allow the operator to confirm the number of cartridges present within the magazine.

**Emptying the Magazine** - Exert pressure with a finger on the rim of the cartridge and push each cartridge forward out of the magazine one at a time until the magazine is empty.

## LOADING

**▲WARNING** CC9 pistols are designed to fire quality, brass-cased, factory-loaded ammunition loaded to NATO, SAAMI (Sporting Arms and Ammunition Manufacturers' Institute), or CIP (Permanent International Commission for the Proof of Small Arms) specifications for use, specifically in handguns. **DO NOT USE "+P+" reloaded, remanufactured, steel cased, aluminum cased, or handloaded ammunition because it may not meet applicable NATO, SAAMI or CIP standards and could cause death, serious personal injury, and/or damage to your pistol and may void your warranty.**

**NOTICE** HK specifically disclaims any responsibilities for any damage or injury that may occur because of, or as a result of, the use of faulty, remanufactured, or reloaded (handloaded) ammunition, or of cartridges other than those for which the pistol was originally chambered.

Administrative Loading - Used to initially load the pistol before it is to be fired. Slide rearward or forward, chamber EMPTY.

1. Make sure fingers are outside of the trigger guard and the pistol is always pointed in a safe direction (a safe direction is one in which no one can possibly be injured in the event of an unintentional discharge).
2. Insert magazine - Insert the magazine firmly into the frame assembly until the magazine catch engages. Tug on the magazine floorplate to ensure that it is fully seated and engaged.
3. Chamber a cartridge - Chamber a cartridge by depressing the slide release or by pulling the slide fully to the rear and releasing it. Do not ride the slide forward. Let it go forward from the force of the recoil spring.
4. Chamber check - Retract the slide until the chamber check mark aligns with the locking surface on the slide. This will give visual access to ensure a cartridge is chambered.

CC9 pistols are test fired for accuracy by ensuring the point of aim equals the point of impact at 25 meters (27.3 yards) with 124 grain ammunition. Individual results concerning accuracy and/or shot placement are affected by such factors as stance, grip, ammunition, and engagement range.

## SIGHTS AND AIMING

The CC9 is equipped with a traditional sighting system. The sights are adjustable for windage by drifting. Sights are installed and aligned by HK technicians at the factory. Figure 5 shows correct sight alignment, generally for the CC9 series it is a center hold. Figure 6 shows common sight alignment errors.

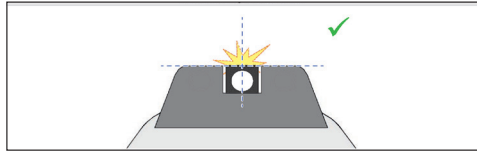


Figure 5 – Correct sight alignment

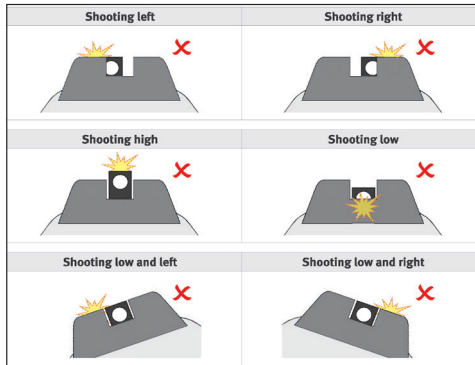


Figure 6 – Common sight alignment errors

## COVER PLATE REMOVAL AND INSTALLATION

### RE-TORQUE

1. Re-torque OR Plate screws every 2,000 rounds to 13 in/lbs.

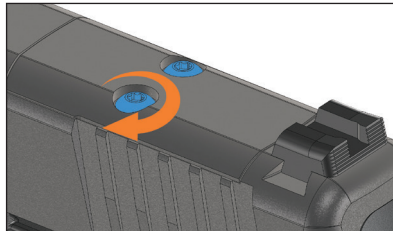


Figure 7 – Tighten screws

## REMOVE COVER PLATE

1. Loosen screws and remove (Figure 8).
2. Remove cover plate

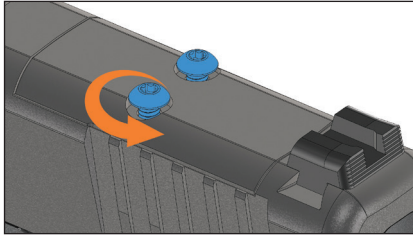


Figure 8 – Loosen screws

## INSERT COVER PLATE

1. Insert cover plate in slide.
2. Insert screws in cover plate.
3. Using an 8IP torx driver, torque screws (PN 51001133) to 13 in/lbs.
4. HK recommends using medium strength, non-permanent thread locker.

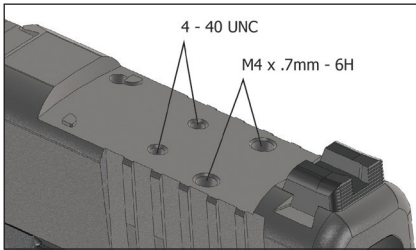


Figure 9 – Thread callouts

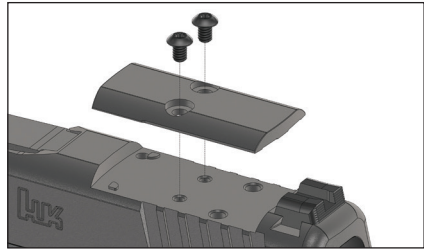


Figure 10 – Cover plate installation

## FIRING

**▲ WARNING** ALWAYS be sure of your target and what is behind it! A bullet from a pistol can travel as far as 2 miles. It can easily penetrate wood, plasterboard walls, or even a car door. ALWAYS be sure that your backstop is adequate to stop and contain bullets before firing so that you do not hit anything outside of the shooting range area.

**▲ WARNING** NEVER shoot at a hard surface, such as a rock, or a liquid surface, such as water, because a bullet may ricochet and travel in any direction, striking you or someone else. If in doubt, do not shoot.

**▲ WARNING** ALWAYS be sure that the barrel of your pistol is clear of obstructions before firing. If any obstruction is found, remove it – including any excess lubricants – before firing so that your pistol will function safely and correctly. Any obstruction in the barrel could prevent the pistol from firing properly and result in death or serious personal injury, and/or damage to the pistol.

**▲ WARNING** NEVER use your CC9 pistol if it fails to function properly, and never force the slide closed on a jammed cartridge because it could cause the cartridge to explode.

**▲ WARNING** ALWAYS wear adequate eye protection when firing the pistol. Eye protection should, at a minimum, provide impact protection with side panels and meet ANSI standard Z87.1. Unprotected eyes can be injured by fragments expelled from the pistol, ejected cartridge cases, ruptured cartridge cases, splash back from targets, target frames, or backstops.

**▲ WARNING** ALWAYS wear adequate commercially manufactured ear protection when firing the pistol. Ear protection should be commercially manufactured, at a minimum, provide a noise reduction rating (NRR) of 24 decibels. Unprotected exposure to gunshot noise can cause tinnitus and/or permanent hearing loss.

**▲ WARNING** Your CC9 pistol does not have a conventional manual safety and it will fire if the trigger is pulled when there is a round in the chamber, even if the magazine is removed.

**▲ WARNING** Hot gasses and powder are forcefully expelled from your pistol when it is fired. ALWAYS be sure that your hands and all parts of your body are kept away from the muzzle of your pistol.

**▲ WARNING** ALWAYS ensure that a responsible and competent person is placed in charge to maintain safety, discipline, and control when a group is firing at a range, to reduce the likelihood of a negligent discharge.

**▲ WARNING** ALWAYS carry your pistol unloaded with the slide locked open in the rearward position while on a range until preparing to fire. Always keep the pistol pointed towards the backstop when loading, firing, and unloading.

**▲ CAUTION** When ready to fire, be sure that the area behind the slide is clear, including your thumb, and do not hold the pistol near your body, because the slide will move forcefully rearward when the pistol is fired. When firing with a two-handed grip, the thumb of the weak hand should be on the weak hand side of the pistol, never behind the slide.

**▲ CAUTION** ALWAYS keep yourself and others clear of the ejection port because spent cartridges are hot and are ejected with enough force to cause injury. NEVER touch the slide or barrel immediately after firing, because they may be hot and could cause burns.

**▲ CAUTION** NEVER place your fingers in the ejection port, other than when the slide is locked in the fully rearward position and you are checking to ensure that the chamber is empty. Your fingers could be injured by the movement of the slide.

**▲ CAUTION** NEVER fire your pistol near an animal unless it is trained to accept that noise. An animal's startled reaction could injure it or cause it to injure you or someone else.

1. Acquire the proper sight alignment and sight picture (see Figure 5).
2. Control breathing.
3. Gradually squeeze the trigger straight to the rear while attempting to avoid disruption to the sight picture and alignment.
4. Practice good follow-through techniques by maintaining proper sight picture and trigger squeeze until after the firearm has discharged and cycled fully.

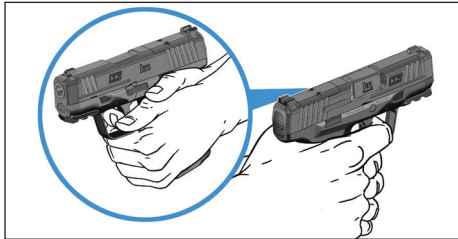


Figure 11 – Two-handed grip with trigger finger on the trigger, sights aligned and ready to fire

## UNLOADING AND SAFETY CHECK

**▲ WARNING** The firearm is not **EMPTY** or unloaded until the magazine is removed and the chamber is **CLEAR**. It is possible that a cartridge may be in the chamber when a magazine is being removed from or inserted into your pistol. A cartridge in the chamber will discharge when the trigger is pulled, whether or not a magazine is in your pistol. **NEVER** leave your pistol unattended, even when the magazine is removed. You must **ALWAYS** verify that the chamber is empty before disassembling your pistol for cleaning or any other purpose.

**▲ WARNING** If an unfired cartridge hangs up, jams, or binds while being chambered, do not attempt to force it into the chamber by pushing or striking the slide to attempt to close it because this could cause the cartridge to burst, which can result in fragments of the cartridge flying out of the ejection port with sufficient force to cause death, serious personal injury, and/or property damage.

**▲ WARNING** **ALWAYS** wear safety glasses when clearing your pistol to protect your eyes and turn the pistol's ejection port away from you. Eye protection should, at a minimum, provide impact protection with side panels and meet ANSI standard Z87.1. Do not use a metal tool to attempt to remove an unfired cartridge because it could ignite the primer and cause the cartridge to rupture resulting in fragments of the cartridge flying out of the ejection port with sufficient force to cause death, serious injury, and/or property damage.

**▲ WARNING** **NEVER** rely solely on a mechanical device or your memory to determine whether your pistol is loaded. **ALWAYS** remove the magazine, retract and lock the slide by pulling it fully to the rear and locking it open, and then visually and physically check with your finger to ensure there is not a cartridge in the chamber.

The slide on the CC9 pistol is locked back after the last round is ejected from the pistol. The magazine follower engages a tab located on the inside of the left-hand slide release. As the slide release is pivoted upwards, the back of the release engages a cut-out on the bottom of the slide and locks the slide to the rear.

The magazine can then be removed by depressing either side of the ambidextrous magazine release button. Both a visual and a physical (with your finger) inspection should be performed on the chamber/ feed ramp area to ensure the pistol is unloaded.

If the operator wishes to cease firing and unload the firearm before the last round in the magazine is fired, the standard clearing procedure for the CC9, detailed below, should be completed.

## CLEARING AND SAFETY CHECK PROCEDURE

To unload and clear your pistol, you **MUST** proceed in this order.

### 1. Point the muzzle of the CC9 pistol in a safe direction.

Ensure the muzzle of the CC9 is pointed in a safe direction (a safe direction is one in which no one can possibly be injured in the event of an unintentional discharge) and that the operator's finger is off the trigger and outside the trigger guard.

### 2. Remove the magazine.

Depress either side of the ambidextrous magazine release (1). Remove the magazine from the magazine well (2).



Figure 12 – Magazine removal

### 3. Open and lock the slide to the rear.

Grasping the rear serrations, rack the slide to the rear while keeping the muzzle pointed in a safe direction. Push and hold upwards on either side of the ambidextrous slide release and lock the slide to the rear by allowing the slide to move forward until it engages the slide release. Watch for a cartridge or empty case to be ejected out through the ejection port.



Figure 13 – Unloading

### 4. Inspect the chamber.

Inspect the chamber for the presence of a cartridge or empty case by:

1. Visually inspecting the chamber through the open ejection port.
2. Physically inserting a finger through the ejection port and sweeping the chamber and feed ramp area.
3. Removing any cartridges or empty cases from the chamber or from within the CC9.
4. If the cartridge remains in the chamber repeat the Clearing Procedure. If the cartridge will not extract contact a gunsmith.

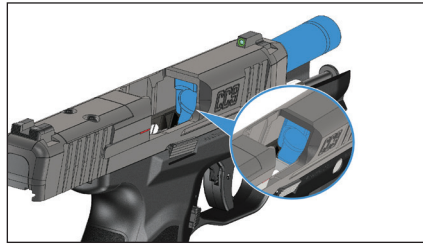


Figure 14 – Clearing the CC9 Pistol

## SECTION 5 DISASSEMBLY AND ASSEMBLY

**▲WARNING** The firearm is not empty or unloaded until the magazine is removed and the chamber is clear. It is possible that a cartridge may be in the chamber when a magazine is being removed from or inserted into your pistol. A cartridge in the chamber will discharge when the trigger is pulled, whether or not a magazine is in your pistol. Never leave your pistol unattended, even when the magazine is removed. You must always verify that the chamber is empty before disassembling your pistol for cleaning or any other purpose.

**▲WARNING** Unload all magazines and remove all live ammunition from the area before disassembling your pistol to reduce the chance of a negligent discharge.

**▲WARNING** Never rely solely on a mechanical device or your memory to determine whether your pistol is loaded. Always remove the magazine, retract and lock the slide by pulling it fully to the rear and locking it open, and then visually and physically check with your finger to ensure there is not a cartridge in the chamber.

**▲WARNING** Never alter or modify your CC9 pistol because this could cause it to malfunction and create a dangerous condition.

**▲WARNING** Always wear safety glasses when disassembling your pistol to protect your eyes. Eye protection should, at a minimum, provide impact protection with side panels and meet ANSI standard Z87.1. Components, such as springs, are under pressure and could cause serious injury.

### DISASSEMBLY

To disassemble your CC9 pistol for cleaning, or any other purpose, follow the instructions below. To ensure that your pistol is unloaded, disassembly **MUST** be performed in this order.

Make sure the pistol is CLEAR.

1. Conduct the CLEARING AND SAFETY CHECK PROCEDURE in Section 4.
2. With the slide still locked to the rear and the magazine removed, rotate disassembly lever, located on the left-hand side of the frame assembly, downward until the lever is pointing to approximately the six o'clock position (see Figure 15).

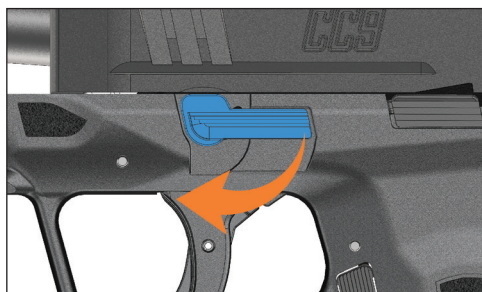


Figure 15 – Rotating the disassembly lever

3. Depress the slide release (1) and push the slide forward (2), removing the slide from the top of the frame assembly (see Figure 16).

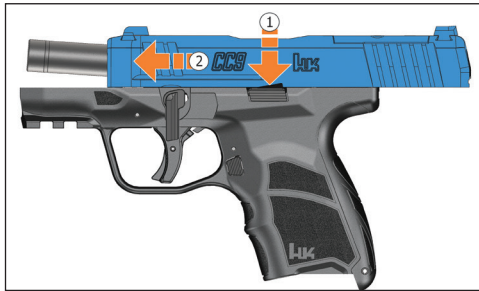


Figure 16 – Removing slide from frame assembly by pushing it forward

4. Turn the slide upside down and carefully push the recoil spring forward and upward, separating the recoil spring from the barrel and slide (see Figure 17).

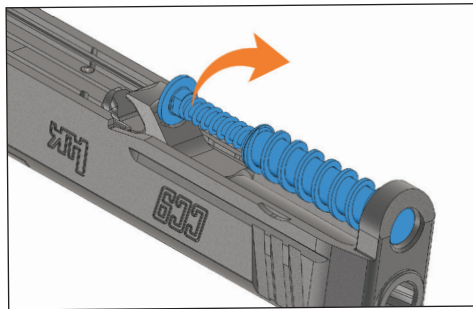


Figure 17 – Removing the recoil spring

5. Pivot the barrel slightly forward and press upward on the barrel locking block through the ejection port, separating the barrel from the slide (See Figure 18).

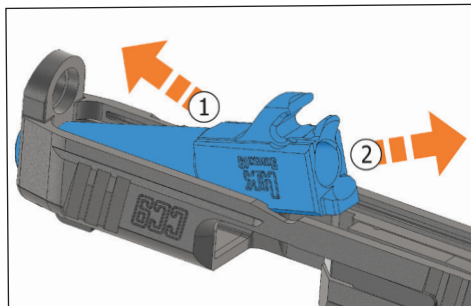


Figure 18 – Removing the barrel



Figure 19 – Sub Assemblies of CC9 disassembled

### ASSEMBLY

1. Turn the slide upside down and insert the barrel into the slide with the barrel angular locking surface facing upwards (See Figure 20).

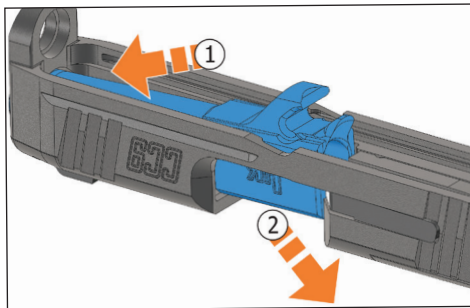


Figure 20 – Installing the barrel

2. Pivot the barrel back towards the rear until the barrel locking block snaps into the slide ejection port.
3. Insert the large end of the recoil spring into the tang on the slide that extends above the muzzle.
4. Push the recoil spring forward into position, compressing the recoil spring, then pivot the back of the recoil spring guide rod onto the stepped mounting surface located on the front of the barrel locking lug (see Figure 21). Ensure the front of the recoil spring is facing forward in the slide.

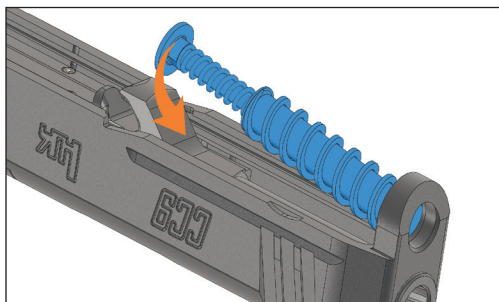


Figure 21 – Reassembling the recoil spring onto the barrel and slide

5. Ensure that no magazine is present in the magazine well and that the disassembly lever is in the down position (six o'clock).
6. Mount the slide onto the frame assembly, ensuring that the recoil spring is centered underneath the barrel, and that the rails on the frame assembly are inserted into the grooves on the bottom of the slide (see Figure 22).

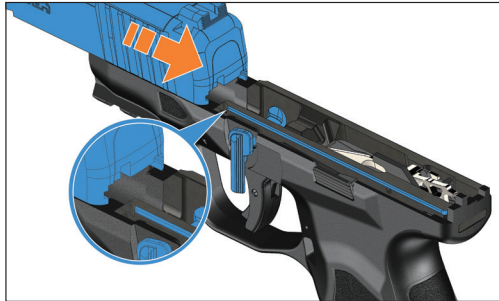


Figure 22 – Mounting the slide on the frame assembly

7. Pull the slide back towards the rear.
8. Continue to bring the slide back towards the rear and push either of the ambidextrous slide releases upwards and let slide forward until locked against the slide release.
9. Pivot the disassembly lever counterclockwise so that the lever lies horizontal to the bottom of the slide (See Figure 23).



Figure 23 – Pivot the disassembly lever counterclockwise

10. Release the slide from the slide release.

## **FUNCTION CHECK**

It is essential that a function check be performed on the CC9 pistol after reassembly to ensure that the firearm's components have been correctly installed.

- 1.** Conduct the CLEARING AND SAFETY CHECK PROCEDURE in Section 4.
- 2.** Rack the slide towards the rear three to four times in quick succession, ensuring that fingers are off the trigger and outside the trigger guard. The slide should be able to move back and forth, under the force of the recoil spring, without binding or locking up.
- 3.** Return the slide to the forward position.
- 4.** With the firearm EMPTY and the muzzle in a safe direction, pull the trigger and listen for an audible click.
- 5.** Rack the slide to the rear and release, again keeping constant pressure on the trigger until the slide returns to battery. Release the trigger and listen for an audible click, signifying the trigger has reset.
- 6.** Insert an EMPTY magazine in the magazine well and rack the slide to rear. The slide should lock on an EMPTY magazine.
- 7.** Remove the empty magazine. Ensure the pistol is CLEAR.

## INSTALLATION OF THE BACKSTRAPS

**▲ WARNING** Make sure that the firearm is **CLEAR** (magazine removed and chamber empty) before changing backstraps or frame assembly.

**▲ WARNING** **ALWAYS** wear safety glasses when disassembling your pistol to protect your eyes. Eye protection should, at a minimum, provide impact protection with side panels and meet ANSI standard Z87.1. Components, such as springs, are under pressure and could cause serious injury.

1. Using a 2.8 mm (or 7/64") pin punch, remove the pin holding the backstrap in position.  
Choose the backstrap that provides the most comfortable fit for the operator (see Figure 24).
2. Seat the backstrap onto the back of the frame assembly and push upwards until the mounting surface for the pin on the backstrap aligns with the mounting surface for the pin on the frame assembly.
3. Ensure that the curved top portion of the backstrap is properly seated in the frame assembly.



Figure 24 – Backstrap installation

4. Drift the pin into position using a 2.8mm (or 7/64") pin punch to hold the backstrap in place on the frame assembly.

## REMOVAL OF CHASSIS FROM FRAME ASSEMBLY/ INSTALLATION

**NOTICE** The chassis contains the serial number and is the part of the CC9 pistol that is legally considered to be the firearm for purposes of the Gun Control Act.

Removal of the chassis is not required for ordinary cleaning and maintenance. If you need to remove the chassis, complete the following steps.

1. Remove the slide & barrel assembly (Following the instructions and warning in Section 5 above, "Disassembly").
2. Turn the disassembly lever to the location shown (approximately 5 o'clock position) and remove from the left side.

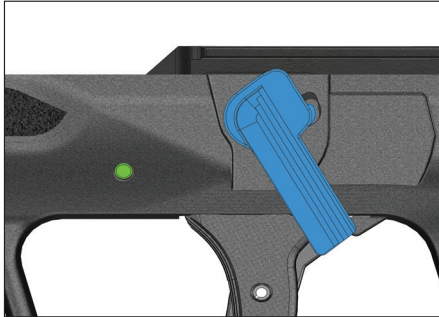


Figure 25 – Disassembly lever removal

3. Using a 1.4mm (or 1/16") pin punch, remove the pin holding the chassis into the frame. (Shown in green)
4. Remove the chassis by lifting up on the front of the chassis (1) and pulling it forward once the trigger is halfway out of the trigger pocket (2). Once the rear tab of the chassis is free from its pocket in the frame assembly, lift the chassis completely from the frame assembly (3) (See Figure 26).

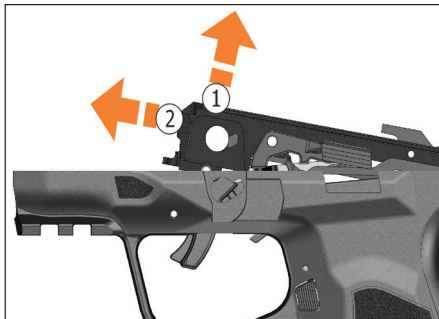


Figure 26 – Chassis removal

5. To reinstall the chassis, insert the trigger halfway into the trigger pocket of the frame assembly. Then slide the tab on the rear of the chassis into the pocket of the frame assembly at the rear and seat the chassis fully into the frame assembly. This is the reverse of the operation shown in Figure 26.

6. Ensure the recoil spring support is in its proper position and drift the pin into position with a 1.4mm (or 1/16") pin punch to hold the chassis in place in the frame assembly.

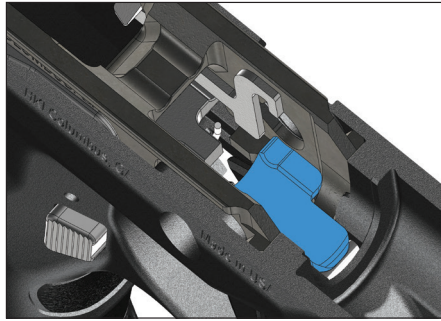


Figure 27 – Recoil spring support

7. Insert the takedown lever through the frame assembly and, once inserted, rotate it to the 3 o'clock position and then to the 6 o'clock position.

**If you encounter any problems in attempting to disassemble, assemble and/or conduct a function check on the CC9 pistol** contact the Heckler & Koch Customer Service Department at 706-701-5554 or by email at [cs@heckler-koch-us.com](mailto:cs@heckler-koch-us.com)

## MAGAZINE DISASSEMBLY

**▲WARNING** Unload the magazines and remove all live ammunition from the area before disassembling your magazine.

**▲WARNING** Be aware of the force exerted by the magazine spring while removing and installing the magazine floorplate. Always keep the base of the magazine pointed away from the face and eyes of yourself and others. Always wear safety glasses when disassembling your pistol to protect your eyes. Components, such as springs, are under pressure and could cause serious injury.



Figure 28  
12 and 10-round magazine

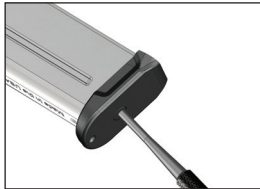


Figure 29  
Depressing retainer  
in floorplate

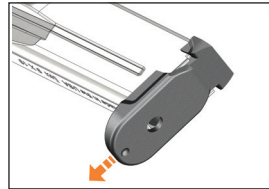


Figure 30  
Slide the floorplate  
forward

### Disassembly of magazines

1. Using a punch, depress the locking plate located in the floorplate and hold it there (see Figure 29).
2. Place a portion of either hand over the base of the magazine to control the release of the magazine spring and locking plate.
3. Slowly slide the floorplate forward off the magazine housing (see Figure 30).
4. Gradually allow the locking plate and magazine spring to expand out of the magazine housing (see Figure 31).
5. Remove the locking plate, magazine spring and magazine follower from the magazine housing.



Figure 31  
Removing locking plate and spring

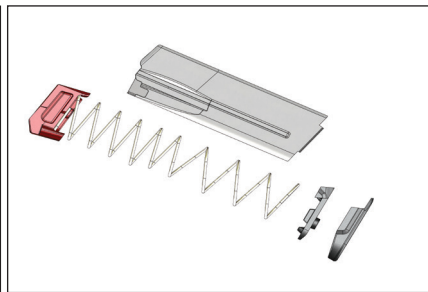


Figure 32  
10-round magazine components

## MAGAZINE ASSEMBLY

**⚠ WARNING** Be aware of the force exerted by the magazine spring while removing and installing the magazine floorplate. ALWAYS keep the base of the magazine pointed away from the face and eyes of yourself and others. ALWAYS wear safety glasses when disassembling your pistol to protect your eyes. Eye protection should, at a minimum, provide impact protection with side panels and meet ANSI standard Z87.1. Components, such as springs, are under pressure and could cause serious injury.

**NOTICE** Magazine springs and followers are optimized for their specific capacity. Ensure magazines are reassembled with the correct capacity-specific components. Using incorrect components for the stated magazine capacity may result in malfunctions. Example: do not install the 10 round spring or follower inside the 12 round magazine.

1. Snap the magazine follower onto the magazine spring with the end of the spring positioned on the left of the follower (See Figure 33).
2. Insert the follower and magazine spring into the magazine housing as depicted in Figure 35.
3. Place the locking plate onto the protruding end of the magazine spring so that the spring is around all of the pyramids (See Figure 34).
4. Push the locking plate into the magazine housing against the pressure of the magazine spring and hold it there (See Figure 36).
5. Slide the floorplate over the tabs on the magazine until the locking plate seats in the floorplate (See Figure 37).

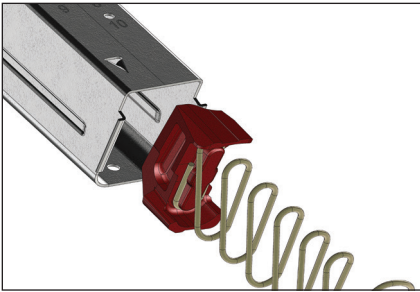


Figure 33  
Position spring and follower as shown

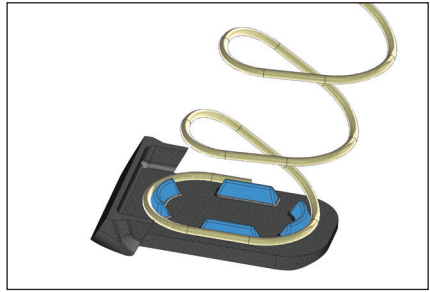


Figure 34  
Spring around all pyramids

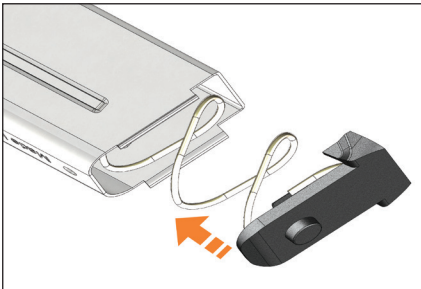


Figure 35  
Insert the follower, spring, and locking retainer



Figure 36  
Hold the retainer flush with the magazine

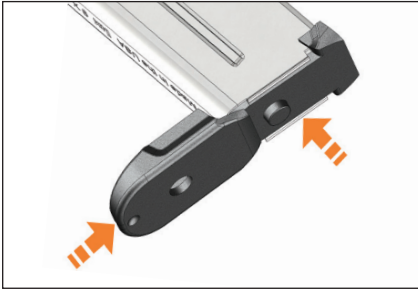


Figure 37 – Slide the floorplate onto the magazine housing

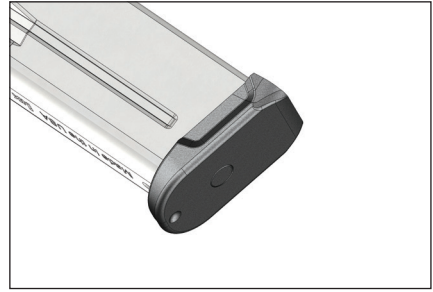


Figure 38 – Ensure the boss on the retainer is seated into the hole in the floorplate

After assembling the magazine, check to make sure that it is properly assembled by ensuring that the follower slides up and down freely within the magazine housing and with spring force. Also check that the magazine follower rises within the magazine housing to be nearly flush against the bottom of the magazine feed lips. Repeat disassembly and assembly if needed.

### CLEANING

**▲WARNING** ALWAYS be sure that the barrel of your pistol is clear of obstructions before firing. If any obstruction is found, remove it – including any excess lubricants – before firing so that your pistol will function safely and correctly. Any obstruction in the barrel could prevent the pistol from firing properly and result in death or serious personal injury, and/or damage to the pistol.

**▲WARNING** The firearm is not EMPTY or unloaded until the magazine is removed and the chamber is CLEAR. It is possible that a cartridge may be in the chamber when a magazine is being removed from or inserted into your pistol. A cartridge in the chamber will discharge when the trigger is pulled, whether or not a magazine is in your pistol. NEVER leave your pistol unattended, even when the magazine is removed. You must ALWAYS verify that the chamber is empty before disassembling your pistol for cleaning or any other purpose.

**▲WARNING** ALWAYS wear safety glasses when cleaning your pistol to protect your eyes from cleaning solutions and components, such as springs, which are under pressure and could cause injury. Eye protection should, at a minimum, provide impact protection with side panels and meet ANSI standard Z87.1. Exercise caution if using compressed air.

**▲WARNING** ALWAYS ensure that no ammunition is in the area where you clean your pistol. Lubricants can affect the primer and powder in ammunition and cause it to malfunction. This could result in failure to fire, or in a bullet being pushed into the barrel of your pistol and becoming stuck, which could cause the barrel to burst and result in death or serious injury, in addition to damaging the pistol.

**▲WARNING** Do not alter any of the parts or components of the pistol or magazine, e.g., do not attempt to “improve” or make the pistol “better” by altering parts or components. Altering any parts or components of the pistol or magazine may cause serious injury or death, damage to the pistol, or other damage to property, and voids its warranty.

**▲WARNING** As with any semi-automatic pistol, your CC9 should be disassembled into its major components every time it is cleaned. Failing to do so, by merely locking the slide to the rear and inserting the cleaning rod from the muzzle, can cause dirt, oil, and lubricant to build up inside the pistol causing malfunctions.

**▲WARNING** Do not use a steel bore brush which can scratch the polygonal bore and reduce accuracy.

**▲WARNING** Use of ultrasonic cleaning machines can result in the unwanted removal of colored reference markings of the frame assembly, extractor and control lever (where applicable). Use of ultrasonic cleaning is normally not necessary or recommended when using standard ammunition in HK pistols. All components should be thoroughly dried after being coated in cleaning solutions of any kind before reassembly and all the firearm critical components should be lubricated in accordance with the applicable operator/maintenance instructions after being thoroughly dried.

**Materials Required** - At a minimum, HK recommends the following materials to properly clean a CC9 Series pistol:

- Cleaning rod with handle and patch holder
- Nylon toothbrush
- Bronze bristle bore brush (9mm)
- Cleaning patches
- Lint-free wiping rag
- Cleaning solution/lubricant
- Cotton swabs

**Handgun cleaning kits are available from HK for thorough cleaning of pistols and other firearms. Visit the HK-USA web shop or contact HK Customer Service at 706-701-5554 or by email at [cs@heckler-koch-us.com](mailto:cs@heckler-koch-us.com).**

**Cleaning Intervals** - Normal and Major are the two types of operator cleaning for the CC9 pistol.

**Normal Cleaning** - Performed after each firing or every twelve (12) months, whichever comes first.

**Major Cleaning** - Often referred to as "detailed cleaning." Performed after the firing of 600 cartridges or when the pistol is exposed to, or contaminated with:

- Sand
- Dust
- Water (especially saltwater)
- Other visible contaminants or foreign matter.

## **Normal Cleaning**

### **Slide -**

- Gently scrub all internal surfaces of the slide using the nylon toothbrush moistened with cleaning solution.
- Remove all loose fouling from all surfaces of the slide using a rag and cotton swabs.

### **Recoil spring assembly -**

- Remove all visible fouling using cleaning solution, a nylon toothbrush or a rag and cotton swabs.

### **Barrel -**

- Moisten a bronze bore brush with cleaning solution and scrub the bore from the chamber to the muzzle with at least six (6) passes, back and forth.
- Remove the loose fouling from the bore using cleaning patches.
- Gently scrub the exterior of the barrel and locking block with the nylon toothbrush moistened with cleaning solution.
- Remove all loose fouling from the exterior of the barrel using a rag and cotton swabs.

### **Frame Assembly -**

- Gently scrub surfaces where carbon fouling is present using the nylon toothbrush moistened with cleaning solution. Concentrate on the area normally covered by the slide and the unlock block area that interfaces with the barrel.
- Remove all loose fouling from all areas of the frame assembly using a rag and cotton swabs.

### **Magazine -**

- Gently scrub the top of the magazine, concentrating on the follower and feed lips, using the nylon toothbrush moistened with cleaning solution.
- Remove all loose fouling from all surfaces of the magazine using a rag and cotton swabs.

**Major Cleaning** - Major Cleaning is the same as normal cleaning except that:

- The magazine is disassembled for cleaning, following the instructions and warnings in Section 5.
- All parts should be rinsed with or immersed in cleaning solution and thoroughly scrubbed with a nylon brush. The parts can then be dried using compressed air or with a rag and cotton swabs.

## INSPECTION

During and after cleaning, visually inspect the pistol and its components for any irregularities that may cause problems or stoppages during operation. Generally, you should keep a watchful eye out for the discrepancies listed below. (See Function Check in Section 5)

**Always CLEAR the pistol before conducting your inspection!**

Check for:

- Damaged or missing parts
- Improper assembly or function
- Absence of free movement, where applicable
- Absence of spring force, where applicable
- Unaccustomed looseness
- Parts exhibiting signs of cracks, burrs, dents, or obvious signs of damage or stress
- Presence of stops or tactile clicks, where applicable
- Presence of corrosion or degradation of surface finish
- General overall cleanliness
- Presence of sufficient lubrication

## LUBRICATION



Figure 39 – Lubrication Points (in red)

The surfaces of the CC9 pistol are treated with corrosion and wear-resistant finishes. These surface treatments do not completely reduce the friction between moving parts, and it is recommended that a lubricant be applied to the pistol to ensure proper functioning.

Any type of high-quality, medium-weight lubricant (oil) specifically designed for use on firearms will work well on a CC9 pistol.

Do not use lubricants that boast of their ability to penetrate metal because those substances may deactivate primers. Figure 44 shows areas on the pistol requiring particular attention to lubrication.

### **Where and How Much -**

**No Lube** - Surface is dry and not slippery to the touch.

- All plastic and rubber components
- Ammunition
- Electronics

**Light Lube** - A finger run across the surface yields little or no lube.

- Exterior of barrel
- All metal parts
- All internal parts in slide and frame assembly
- Magazine spring
- Recoil spring assembly
- Trigger spring
- Magazine tubes

**Medium Lube** - A finger run across the surface yields some lube, but lube does not run down the surface when it is held in a vertical position.

- Barrel locking block
- Slide rails and grooves
- All interior operating controls
- Extractor
- Sear

Re-apply lubricant periodically during firing as it burns off from the heat. Apply lubricant using a cleaning brush, cotton swabs, patches, or a rag. A spray bottle of lubricant also works well when using compressed air to circulate the lubricant into all parts and to remove the excess from the pistol.

## **STORAGE AND TRANSPORT**

**▲WARNING** The firearm is not EMPTY or unloaded until the magazine is removed and the chamber is CLEAR. It is possible that a cartridge may be in the chamber when a magazine is being removed from or inserted into your pistol. A cartridge in the chamber will discharge when the trigger is pulled, whether or not a magazine is in your pistol. NEVER leave your pistol unattended, even when the magazine is removed. You must ALWAYS verify that the chamber is empty before disassembling your pistol for cleaning or any other purpose.

**▲WARNING** Firearms should be locked and stored unloaded, secured, and separately from ammunition in a suitable container out of the sight and reach of children and/or any unauthorized individuals.

**▲WARNING** NEVER store or transport ammunition in the same container as your pistol.

**▲WARNING** NEVER rely solely on a mechanical device or your memory to determine whether your pistol is loaded. ALWAYS remove the magazine, retract and lock the slide by pulling it fully to the rear and locking it open, and then visually and physically check with your finger to ensure there is not a cartridge in the chamber.

1. Store or transport the pistol and its components clean and lubricated.
2. Store and transport the pistol without cartridges in the chamber, magazine, or in the storage container with the magazine removed.
3. Store and transport the pistol with the slide in the forward (closed) position.
4. Clean and lubricate the pistol and its components at least every twelve (12) months during storage.
5. HK recommends storage in a climate controlled, room temperature environment.
6. Store the pistol and ammunition separately under lock and key.

## TROUBLESHOOTING PROBLEMS AND REPAIR

Common causes of problems that are often overlooked include:

- Fouled or improperly lubricated pistol
- Bad ammunition
- Damaged magazines
- Operator error

If your CC9 pistol still fails to function, please contact HK Customer Service at 706-701-5554. Law enforcement users, contact your unit armorer or HK Customer Service.

---

NOTE: If after reviewing this manual you still have questions, please contact HK Customer Service at 706-701-5554 or by email: [cs@heckler-koch-us.com](mailto:cs@heckler-koch-us.com).

---

## SECTION 7 CC9 ACCESSORIES

**NOTICE** Improperly designed or installed accessories may result in damage to the mounting grooves and/or the pistol. Such damage is not covered under warranty.

### RAIL MOUNTED ACCESSORIES

CC9 pistols have a Picatinny-style rail molded into the front, lower portion of their frame assemblies (dust covers). This rail allows the operator to mount a wide variety of lights, lasers, and additional accessories to the handgun by means of the simple and proven Picatinny interface system (see Figure 40).



Figure 40 – Accessory flashlight mounted on CC9 pistol

Always ensure the CC9 pistol is “CLEAR” and unloaded before installing or removing accessories. Clearing procedures can be found in Section 4. To avoid damage to the accessory and the CC9 pistol, carefully follow the instructions of the manufacturer for installing, operating, and removing accessories from the mounting rails.

Most lights, lasers, and similar accessories are installed by clipping them on from the bottom. Always follow the installation instructions of the accessory manufacturer.



Figure 41 & 42 – Installing accessory lights onto the rails

#### **OPTIONAL MAGAZINES FOR CC9**

A variety of magazines and floorplates are available for different operational requirements and for optimal ergonomic handling; these include a flat floorplate magazine (10 round capacity), an extended floorplate magazine (10 round capacity), and an extended floorplate magazine (12 round capacity).



Figure 43 – CC9 with flat magazine floorplate (left) compared CC9 with extended magazine floorplate (right)

**OPTICS COMPATIBILITY**

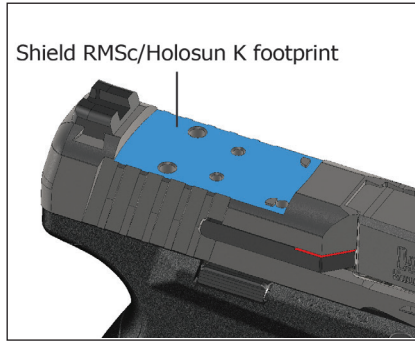


Figure 44 –CC9 optics footprint

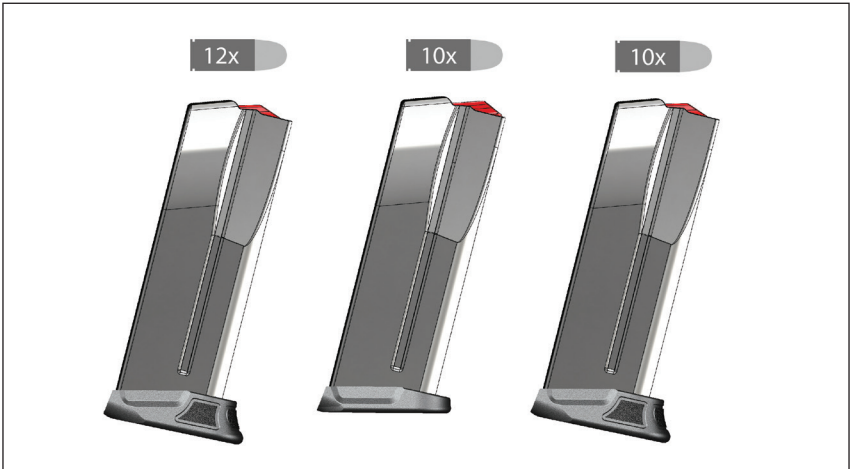


Figure 45 – CC9 magazines compared

## SECTION 8 WARRANTY

### **WARRANTY REGISTRATION**

New HK firearms are covered by Heckler & Koch, Inc.'s Limited Lifetime Warranty. Warranty registration is now online. To register your new HK firearm, go to: <https://hk-usa.com/warranty/registration/>

If you do not have access to the Internet, contact Heckler & Koch, Inc. to obtain a warranty registration form:

HK Customer Service  
5675 Transport Boulevard  
Columbus, GA 31907  
Telephone: 706-701-5554.  
Email: [cs@heckler-koch-us.com](mailto:cs@heckler-koch-us.com)

### **HECKLER & KOCH, INC. LIMITED LIFETIME WARRANTY**

All new Heckler & Koch, Inc. firearms purchased after January 1, 1998, are warranted to the original retail purchaser only for the lifetime of the said original retail purchaser. In the event that this original retail purchaser, at the time of the original purchase, shall donate this firearm to another person, the donee name must be submitted during the online warranty registration. Heckler & Koch, Inc. does not guarantee or warrant that any, all, or some donations or gifts are valid and compliant with all applicable laws, regulations, and ordinances. Heckler & Koch, Inc. is not responsible or liable in any way for a donation or gift that does not comply with applicable laws, regulations, and ordinances. It is the responsibility of the original retail purchaser and the donee or recipient to ensure that any such transfer complies with all applicable laws, regulations, and ordinances. Upon completion of the online warranty registration indicating the name of the said donee, this warranty shall be extended to the lifetime of the said donee. This warranty applies only if the firearm was imported into the United States and distributed by Heckler & Koch, Inc. to an authorized dealer.

### **What Will We Do?**

Heckler & Koch Inc. will, at its option, repair or replace without charge any HK firearm that fails due to a defect in materials or workmanship. Parts and labor are included. Repairs are warranted for the duration of the warranty. If Heckler & Koch, Inc. replaces a firearm under this warranty; you will receive a new warranty. Heckler & Koch, Inc. will return your firearm to you shipping pre-paid.

### **How to Obtain Service:**

Contact Heckler & Koch, Inc. via phone at 706-701-5554 or email at [cs@heckler-koch-us.com](mailto:cs@heckler-koch-us.com) for a Return Authorization Number before sending your firearm freight prepaid to Heckler & Koch, Inc. at the address listed below. No C.O.D. shipments will be accepted.

Only the existing Heckler & Koch, Inc. Service Center or any other authorized Heckler & Koch, Inc. Service Center that may be established by Heckler & Koch, Inc. shall be authorized to make warranty repairs.

Return the complete, unloaded firearm with a detailed description of the problem using Heckler & Koch, Inc.'s Return Form.

**DO NOT send any live ammunition with the firearm. If you must send ammunition to us for proof purposes, be sure that it is sent separately from the firearm.**

We strongly recommend that you complete the online warranty registration at <https://hk-usa.com/warranty/registration/> to establish eligibility for warranty service. If you do not return an acknowledgment of online warranty registration to Heckler & Koch, Inc., you are required to provide adequate proof of the date that you purchased your new HK firearm at the time you send your firearm to Heckler & Koch, Inc. for warranty service.

In the event that this firearm was given as a gift at the time of original purchase, the online warranty registration with the name of the donee must be provided to Heckler & Koch Inc., in order for the warranty to become effective.

Note: Non-warranty servicing must follow the same shipping procedures as stated above. HK firearms with a valid Return Authorization Number should be shipped to the following address in accordance with these instructions:

HKI

Attn: Service Department/RA# \_\_\_\_\_  
5675 Transport Blvd.  
Columbus, GA 31907

Any information gathered in connection with a Heckler & Koch Inc. lifetime limited warranty shall be used for that purpose and may be used for other legitimate business purposes of Heckler & Koch Inc. For further information, please review Heckler & Koch, Inc.'s Privacy Policy, located at <https://hk-usa.com/cookie-policy-us/>

### **What Is Not Covered?**

This warranty does not cover defects or damage caused by: (1) unreasonable use; (2) failure to provide proper care or maintenance; (3) failure to comply with instructions in the operator's manual including improper installation of original Heckler & Koch Inc. parts by the owner or his agent; (4) normal wear and tear for the degree of use; (5) rust or corrosion; (6) obstructions in the barrels; (7) excessive use; and/or (8) external and internal cosmetic finishes.

Heckler & Koch, Inc. reserves the right to determine what constitutes the unreasonable or excessive use of the firearm. All wooden parts and all accessories are excluded from warranty coverage.

This warranty does not cover any claims made by the second or subsequent owner of an HK firearm as stated above.

**NOTICE** Any unauthorized alteration or modification of the firearm or use of parts or components not originally made by Heckler & Koch, Inc. may void this warranty. Heckler & Koch, Inc. is not be responsible for any claims involving this firearm that result from the use of faulty, nonstandard, remanufactured, or reloaded ammunition or ammunition not manufactured to NATO, CIP, and/or SAMMI specifications.

Under no circumstances shall Heckler & Koch, Inc. be responsible or liable for incidental or consequential damages with respect to loss of use, loss of business or profits, other economic loss or injury to property, whether as a result of breach of express or implied warranty, negligence or otherwise. This Limited Lifetime Warranty applies only to retail purchases by individuals through an authorized Heckler & Koch, Inc. dealer.

**Residents of CALIFORNIA, CONNECTICUT, DISTRICT OF COLUMBIA, HAWAII, MARYLAND, MASSACHUSETTS, MICHIGAN, NEW JERSEY, NEW YORK, AND U.S. TERRITORIES.**

Any work involving replacement of the receiver of a firearm requires that the firearm be returned to a licensed firearms dealer. A current, signed copy of the dealer's FFL will be required. Please provide contact information for the chosen dealer, if applicable.

**NOTICE** Customers in restrictive capacity states: **DO NOT** ship high capacity magazines to Heckler & Koch Inc. They cannot be returned.

## **Exclusions**

This lifetime warranty explicitly excludes firearms purchased by the United States military, government institutions or agencies of the United States or any of its constituent states and territories, law enforcement agencies of the United States or any of its constituent states and territories, and/or security organizations located within the United States or any of its constituent states and territories. Firearms purchased by these entities and organizations for duty issue to their personnel and/or employees are covered by a one-year limited warranty against material defects and workmanship or as agreed upon in a valid contract.

This lifetime warranty also excludes rimfire .22L R firearms, and all suppressors, which are covered by a one-year warranty.

Some states do not allow the exclusion or limitation of incidental or consequential damages, so the above limitations or exclusions may not apply to you. This warranty gives you specific legal rights, and you may also have other rights, which vary from state to state. This limited warranty is the only express warranty by Heckler & Koch Inc.

Heckler & Koch Inc. does not authorize any dealer or any other person to vary the terms of this warranty or make any other express warranties.

## **Heckler & Koch, Inc. Lifetime Barrel Guarantee**

Heckler & Koch, Inc. guarantees the serviceability of the bore of the barrels of all MR A4 Series rifles and pistols for the lifetime of the original consumer purchaser for individual use. This guarantee is based on barrels meeting standards on accuracy, velocity, and useability across the entire life of the A4 system. If at any time an A4 barrel fails to meet these standards, Heckler & Koch, Inc. will replace the barrel.



## **Where to Get Further Help**

If you have questions concerning this warranty, please contact Heckler & Koch, Inc.'s Customer Service Department at:  
5675 Transport Blvd.  
Columbus, GA 31907  
Telephone: 706-701-5554  
Email: [cs@heckler-koch-us.com](mailto:cs@heckler-koch-us.com)

## SECTION 9 YOUTH HANDGUN SAFETY NOTICE

### YOUTH HANDGUN SAFETY NOTICE

1. The misuse of handguns is a leading contributor to juvenile violence and fatalities.
2. Safely storing and securing firearms away from children will help prevent the unlawful possession of handguns by juveniles, stop accidents, and save lives.
3. Federal law prohibits, except in certain limited circumstances, anyone under 18 years of age from knowingly possessing a handgun, or any person from selling, delivering, or otherwise transferring a handgun to a person under 18.
4. A knowing violation of the prohibition against selling, delivering, or otherwise transferring a handgun to a person under the age of 18 is, under certain circumstances, punishable by up to 10 years in prison.

#### FEDERAL LAW

The Gun Control Act of 1968, 18 U.S.C. Chapter 44, provides in pertinent part as follows:

18 U.S.C. §922(x)

1. It shall be unlawful for any person to sell, deliver, or otherwise transfer to a person who the transferor knows or has reasonable cause to believe is a juvenile –
  - A. a handgun; or
  - B. ammunition that is suitable for use only in a handgun.
2. It shall be unlawful for any person who is a juvenile to knowingly possess –
  - A. a handgun; or
  - B. ammunition that is suitable for use only in a handgun.
3. This subsection does not apply to –
  - A. a temporary transfer of a handgun or ammunition to a juvenile or to the possession or use of a handgun or ammunition by a juvenile if the handgun and ammunition are possessed and used by the juvenile –
    - i. in the course of employment, in the course of ranching or farming related to activities at the residence of the juvenile (or on property used for ranching or farming at which the juvenile, with the permission of the property owner or lessee, is performing activities related to the operation of the farm or ranch), target practice, hunting, or a course of instruction in the safe and lawful use of a handgun;
    - ii. with the prior written consent of the juvenile's parent or guardian who is not prohibited by Federal, State, or local law from possessing a firearm, except –
      - I. during transportation by the juvenile of an unloaded handgun in a locked container directly from the place of transfer to a place at which an activity described in clause (i) is to take place and transportation by the juvenile of that handgun, unloaded and in a locked container, directly from the place at which such an activity took place to the transferor; or
      - II. with respect to ranching or farming activities as described in clause (i), a juvenile may possess and use a handgun or ammunition with the prior written approval of the juvenile's parent or legal guardian and at the direction of an adult who is not prohibited by Federal, State or local law from possessing a firearm;
    - iii. the juvenile has the prior written consent in the juvenile's possession at all times when a handgun is in the possession of the juvenile; and
    - iv. in accordance with State and local law;

- B. a juvenile who is a member of the Armed Forces of the United States or the National Guard who possesses or is armed with a handgun in the line of duty;
- C. a transfer by inheritance of title (but not possession) of a handgun or ammunition to a juvenile; or
- D. the possession of a handgun or ammunition by a juvenile taken in defense of the juvenile or other persons against an intruder into the residence of the juvenile or a residence in which the juvenile is an invited guest.

4. A handgun or ammunition, the possession of which is transferred to a juvenile in circumstances in which the transferor is not in violation of this subsection shall not be subject to permanent confiscation by the Government if its possession by the juvenile subsequently becomes unlawful because of the conduct of the juvenile, but shall be returned to the lawful owner when such handgun or ammunition is no longer required by the Government for the purposes of investigation or prosecution.

5. For purposes of this subsection, the term "juvenile" means a person who is less than 18 years of age.

6

- A. In a prosecution of a violation of this subsection, the court shall require the presence of a juvenile defendant's parent or legal guardian at all proceedings.
- B. The court may use the contempt power to enforce subparagraph (A).
- C. The court may excuse attendance of a parent or legal guardian of a juvenile defendant at a proceeding in a prosecution of a violation of this subsection for good cause shown.

18 U.S.C. § 924(a)(6)

- i. A juvenile who violates section 922(x) shall be fined under this title, imprisoned not more than 1 year, or both, except that a juvenile described in clause (ii) shall be
  - A. sentenced to probation on appropriate conditions and shall not be incarcerated unless the juvenile fails to comply with a condition of probation.
  - ii. A juvenile is described in this clause if –
    - I. the offense of which the juvenile is charged is possession of a handgun or ammunition in violation of section 922(x)(2); and
    - II. the juvenile has not been convicted in any court of an offense (including an offense under section 922(x) or a similar State law, but not including any other offense consisting of conduct that if engaged in by an adult would not constitute an offense) or adjudicated as a juvenile delinquent for conduct that if engaged in by an adult would constitute an offense.
- B. A person other than a juvenile who knowingly violates section 922(x) –
  - i. shall be fined under this title, imprisoned not more than 1 year, or both; and
  - ii. if the person sold, delivered, or otherwise transferred a handgun or ammunition to a juvenile knowing or having reasonable cause to know that the juvenile intended to carry or otherwise possess or discharge or otherwise use the handgun or ammunition in the commission of a crime of violence, shall be fined under this title, imprisoned not more than 10 years, or both.

## SECTION 10 STATE REQUIRED SAFETY NOTICES

### STATE REQUIRED SAFETY NOTICES

Certain states have laws requiring that specific warnings be provided with handguns sold in those states as a result of which safety warnings are included in this manual.

#### CALIFORNIA:



##### WARNING

"Firearms must be handled responsibly and securely stored to prevent access by children and other unauthorized users. California has strict laws pertaining to firearms, and you may be fined or imprisoned if you fail to comply with them. Visit the Web site of the California Attorney General at <https://oag.ca.gov/firearms> for information on firearm laws applicable to you and how you can comply.

Prevent child access by always keeping guns locked away and unloaded when not in use. If you keep a loaded firearm where a child obtains and improperly uses it, you may be fined or sent to prison.

If you or someone you know is contemplating suicide, please call the national suicide prevention lifeline at 1-800-273-TALK (8255)."



##### ADVERTENCIA

"Las armas de fuego deben manipularse de manera responsable y segura para evitar el acceso de niños y otros usuarios no autorizados. California tiene leyes estrictas relacionadas con armas de fuego, y usted puede ser multado o encarcelado si no las cumple. Visite la página web del Procurador General de California en <https://oag.ca.gov/firearms> para obtener información sobre las leyes de armas de fuego que le son aplicables y cómo puede cumplirlas.

Evite el acceso de niños manteniendo siempre las armas bloqueadas y descargadas cuando no estén en uso. Si mantiene un arma de fuego cargada donde un niño obtiene y la usa indebidamente, se le puede multar o enviar a prisión.

Si usted o alguien que conoce está pensando en suicidarse, llame a la línea nacional de prevención del suicidio al 1-800-273-TALK (8255)."

#### CONNECTICUT:

"UNLAWFUL STORAGE OF A LOADED Firearm MAY RESULT IN IMPRISONMENT OR FINE."

#### FLORIDA:

"IT IS UNLAWFUL, AND PUNISHABLE BY IMPRISONMENT AND FINE, FOR ANY ADULT TO STORE OR LEAVE A Firearm IN ANY PLACE WITHIN THE REACH OR EASY ACCESS OF A MINOR UNDER 18 YEARS OF AGE OR TO KNOWINGLY SELL OR OTHERWISE TRANSFER OWNERSHIP OR POSSESSION OF A Firearm TO A MINOR OR A PERSON OF UNSOUND MIND."

#### MAINE:

"ENDANGERING THE WELFARE OF A CHILD IS A CRIME. IF YOU LEAVE A Firearm AND AMMUNITION WITHIN EASY ACCESS OF A CHILD, YOU MAY BE SUBJECT TO FINE, IMPRISONMENT OR BOTH. KEEP FIREARMS AND AMMUNITION SEPARATE. KEEP FIREARMS AND AMMUNITION LOCKED UP. USE TRIGGER LOCKS."

**MARYLAND:**

"WARNING: Children can operate firearms which may cause death or serious injury. It is a crime to store or leave a loaded firearm in any location where an individual knew or should have known that an unsupervised minor would gain access to the firearm. Store your firearm responsibly!"

**MASSACHUSETTS:**

"WARNING FROM THE MASSACHUSETTS ATTORNEY GENERAL: This handgun is not equipped with a device that fully blocks use by unauthorized users. More than 200,000 firearms like this one are stolen from their owners every year in the United States. In addition, there are more than a thousand suicides each year by younger children and teenagers who get access to firearms. Hundreds more die from accidental discharge. It is likely that many more children sustain serious wounds or inflict such wounds accidentally on others. In order to limit the chance of such misuse, it is imperative that you keep this weapon locked in a secure place and take other steps necessary to limit the possibility of theft or accident. Failure to take reasonable preventive steps may result in innocent lives being lost, and in some circumstances may result in your liability for these deaths."

"IT IS UNLAWFUL TO STORE OR KEEP A Firearm, Firearm, SHOTGUN OR MACHINE GUN IN ANY PLACE UNLESS THAT WEAPON IS EQUIPPED WITH A TAMPER-RESISTANT SAFETY DEVICE OR IS STORED OR KEPT IN A SECURELY LOCKED CONTAINER."

**NEW JERSEY:**

"IT IS A CRIMINAL OFFENSE, PUNISHABLE BY A FINE AND IMPRISONMENT, FOR AN ADULT TO LEAVE A LOADED Firearm WITHIN EASY ACCESS OF A MINOR."

**NEW YORK CITY, NY:**

"THE USE OF A LOCKING DEVICE OR SAFETY LOCK IS ONLY ONE ASPECT OF RESPONSIBLE WEAPON STORAGE. ALL WEAPONS SHOULD BE STORED UNLOADED AND LOCKED IN A LOCATION THAT IS BOTH SEPARATE FROM THEIR AMMUNITION AND INACCESSIBLE TO CHILDREN AND ANY OTHER UNAUTHORIZED PERSONS. NEW YORK CITY LAW PROHIBITS, WITH CERTAIN EXCEPTIONS, ANY PERSON FROM ACQUIRING MORE THAN ONE Firearm, OR MORE THAN ONE Firearm OR SHOTGUN, WITHIN A 90-DAY PERIOD."

**NORTH CAROLINA:**

"IT IS UNLAWFUL TO STORE OR LEAVE A Firearm THAT CAN BE DISCHARGED IN A MANNER THAT A REASONABLE PERSON SHOULD KNOW IS ACCESSIBLE TO A MINOR."

"Any person who resides in the same premises as a minor, owns or possesses a firearm, and stores or leaves the firearm (i) in a condition that the firearm can be discharged and (ii) in a manner that the person knew or should have known that an unsupervised minor would be able to gain access to the firearm, is guilty of a Class 1 misdemeanor if a minor gains access to the firearm without the lawful permission of the minor's parents or a person having charge of the minor and the minor:

- (1) Possesses it in violation of G.S. 14-269.2(b);
- (2) Exhibits it in a public place in a careless, angry, or threatening manner;
- (3) Causes personal injury or death with it not in self-defense; or
- (4) Uses it in the commission of a crime."

**TEXAS:**

"IT IS UNLAWFUL TO STORE, TRANSPORT, OR ABANDON AN UNSECURED Firearm IN A PLACE WHERE CHILDREN ARE LIKELY TO BE AND CAN OBTAIN ACCESS TO THE Firearm."


**WISCONSIN:**


"IF YOU LEAVE A LOADED Firearm WITHIN THE REACH OR EASY ACCESS OF A CHILD YOU MAY BE FINED OR IMPRISONED OR BOTH IF THE CHILD IMPROPERLY DISCHARGES, POSSESSES OR EXHIBITS THE Firearm."


State laws and regulations concerning firearms change constantly. Please check with your State Attorney General's Office or State Police for additional laws and regulations regarding the storage and use of firearms in your state.

## SECTION 11 REESE'S LAW SAFETY NOTICE

Packages with third party optic batteries, please refer to the original equipment manufacturer's (OEM) manual for more information.

<b>⚠ WARNING</b>	
<ul style="list-style-type: none"><li>• <b>INGESTION HAZARD:</b> This product contains a button cell or coin battery.</li><li>• <b>DEATH</b> or serious injury can occur if ingested.</li><li>• A swallowed button cell or coin battery can cause <b>Internal Chemical Burns</b> in as little as <b>2 hours</b>.</li><li>• <b>KEEP</b> new and used batteries <b>OUT OF REACH OF CHILDREN</b>.</li><li>• <b>Seek immediate medical attention</b> if a battery is suspected to be swallowed or inserted inside any part of the body.</li><li>• Battery type CR1632.</li><li>• Nominal Voltage: (3v).</li></ul>	

<b>⚠ WARNING</b>	
<ul style="list-style-type: none"><li>• <b>INGESTION HAZARD:</b> This product contains a button cell or coin battery.</li><li>• <b>DEATH</b> or serious injury can occur if ingested.</li><li>• A swallowed button cell or coin battery can cause <b>Internal Chemical Burns</b> in as little as <b>2 hours</b>.</li><li>• <b>KEEP</b> new and used batteries <b>OUT OF REACH OF CHILDREN</b>.</li><li>• <b>Seek immediate medical attention</b> if a battery is suspected to be swallowed or inserted inside any part of the body.</li><li>• This product contains a non-replaceable battery.</li><li>• Battery type ML1220.</li><li>• Nominal Voltage: (3v).</li></ul>	

<b>⚠ WARNING</b>	
<ul style="list-style-type: none"><li>• <b>INGESTION HAZARD:</b> This product contains a button cell or coin battery.</li><li>• <b>DEATH</b> or serious injury can occur if ingested.</li><li>• A swallowed button cell or coin battery can cause <b>Internal Chemical Burns</b> in as little as <b>2 hours</b>.</li><li>• <b>KEEP</b> new and used batteries <b>OUT OF REACH OF CHILDREN</b>.</li><li>• <b>Seek immediate medical attention</b> if a battery is suspected to be swallowed or inserted inside any part of the body.</li></ul>	

## SECTION 12 CC9 PARTS LIST & EXPLODED VIEW

Item	Description	Part Number	Item	Description	Part Number
—	Frame asm, complete (Item 1 - 28).....	51000400	41	Sight - front, night .....	51000493
1	Grip.....	51000401	42	Sight - rear, BO .....	51001160
2	Disassembly lever.....	51000402	—	Magazine, compl. (12-rd, Item 43 - 47) ...	51000488
3	Magazine catch .....	51000403	43	Magazine floorplate retainer (12-rd) ....	51000484
4	Magazine catch spring .....	51000486	44	Magazine follower (12-rd).....	51001147
5	Standard backstrap .....	51000405	45	Magazine spring (12-rd).....	51001172
5.1	Large backstrap.....	51000406	46	Magazine body (12-rd) .....	51000489
6	Backstrap pin .....	51000407	47	Magazine floorplate (12-rd).....	51000476
7	Magazine release button.....	51000480	—	Magazine, compl. (10-rd, Item 48 - 52) ...	51000470
8	Magazine release / chassis pin (2X).....	51000483	48	Magazine floorplate retainer (10-rd).....	51000471
9	Recoil spring support.....	51001118	49	Magazine follower (10-rd).....	51001134
—	Chassis, complete (Item 11- 24).....	51000408	50	Magazine spring (10-rd).....	51000473
10	Chassis.....	51000409	51	Magazine body (10-rd) .....	51000474
11	Ejector .....	51000410	52	Magazine floorplate (10-rd).....	51000475
12	Sear spring .....	51000411	—	Magazine, compl. (10-rd Pinky Ext. Item 49, 50, 51, 53, 54) .....	51000492
13	Sear .....	51000412	49	Magazine follower (10-rd).....	51001134
14	Disconnecter.....	51000413	50	Magazine spring (10-rd).....	51000473
15	Disconnecter pin.....	51000415	51	Magazine body (10-rd) .....	51000474
16	Sear pin.....	51000416	53	Magazine floorplate (10-rd Pinky Ext.)...	51000476
17	Disassembly safety lever.....	51000417	54	Magazine floorplate retainer (10-rd Pinky Ext.).....	51000491
18	Slide release pin.....	51000418			
19	Trigger spring.....	51000420			
20	Trigger pin .....	51000421			
21	Slide release.....	51000485			
22	Ejector pin.....	51001135			
23	Trigger, complete.....	51000422			
24	Barrel.....	51001174			
25	Recoil spring assembly.....	51000446			
—	Slide OR, complete (Item 26 - 42) .....	51001146			
26	Slide.....	51000495			
27	Extractor .....	51001124			
28	Extractor spring .....	51000432			
29	Extractor buffer.....	51001136			
30	Extractor pin.....	51000433			
31	Firing pin safety .....	51000437			
32	Firing pin safety spring.....	51000438			
33	Slide cover plate.....	51000439			
34	Firing pin .....	51000441			
35	Firing pin return spring .....	51000442			
36	Firing pin spring .....	51000444			
37	Firing pin spring retainer.....	51000445			
38	Firing pin disconnect .....	51000482			
39	Plate, OR.....	51000499			
40	Optics plate screw (2X).....	51001133			









---

**HECKLER & KOCH**  
**5675 Transport Boulevard**  
**Columbus, Georgia 31907**  
**Tel: 706-701-5554**  
**[www.hk-usa.com](http://www.hk-usa.com)**



This product can expose you to chemicals including lead, which is known to the State of California to cause cancer and birth defects or other reproductive harm. For more information go to [www.P65Warnings.ca.gov](http://www.P65Warnings.ca.gov).