

OPERATOR'S MANUAL

VP9A1 SERIES



HECKLER ★ KOCH

▲ WARNING Read this manual carefully before handling, loading, or using your HK VP9A1 pistol.

▲ WARNING Like most modern handguns, the HK VP9A1 pistol is designed without a conventional manual safety. Therefore, you must consider it to be loaded and ready to fire until you have removed the magazine and visually and physically (with your finger) confirmed that the chamber is empty.

SAFETY RULES: Read this entire Operator's Manual carefully and thoroughly before using, handling, or loading your firearm. The warnings and instructions in this Operator's Manual are important. Firearm safety is YOUR responsibility. DO NOT use this firearm if you DO NOT fully understand the warnings and instructions in this Operator's Manual. Firearms can be dangerous if not handled properly and safely. Failure to follow the warnings and instructions in this Operator's Manual, or the improper use of this firearm, may result in serious injury or death, damage to the firearm, or other damage to property. This manual should always accompany your HK VP9A1 pistol if it is sold, given, or loaned to another person.

Whether you are an experienced shooter or have never handled a firearm before, you must read this entire manual carefully before handling, loading, or firing your HK VP9A1 pistol. Your safety and the safety of others depends upon you following the instructions and warnings in this manual and constant use of safe firearms practices. If you are unfamiliar with firearms, take a course in the safe handling of firearms conducted by a qualified firearms instructor, your local gun club, or a similar qualified organization.

This manual contains safety warnings and instructions preceded with, **▲ WARNING** **▲ CAUTION** or **NOTICE** symbols. These signal words are designed to draw your attention to important safety information.

▲ WARNING Indicates a hazardous situation which, if not avoided, could result in death or serious personal injury.

▲ CAUTION Indicates a hazardous situation which, if not avoided, could result in moderate or minor personal injury.

NOTICE Indicates safety practices not related to personal injury.

These Warnings, Cautions and Notices will apply at all times.

▲ WARNING Failure to follow the safety information and instructions in this manual could result in death, serious personal injury and/or property damage.

▲ WARNING Treat all firearms as if they are ALWAYS loaded. If any firearm is handled carelessly or improperly, you could cause a negligent discharge, which could result in death, serious personal injury, and/or property damage.

▲ WARNING Keep your finger off the trigger and outside of the trigger guard until your sights are aligned on the target and you are ready to fire.

▲ WARNING Keep your finger off the trigger and outside of the trigger guard while loading or unloading the firearm.

▲ WARNING Keep your finger off the trigger and outside of the trigger guard while pulling the firearm out of the holster or while returning it to the holster.

▲ WARNING Be sure of your target, backstop, and what is beyond.

▲ WARNING NEVER give a firearm to or take a firearm from anyone unless the action is open, and the magazine and chamber are free of any ammunition or brass.

▲ WARNING NEVER take anyone's word that a firearm is unloaded. ALWAYS check for yourself, with the firearm pointed in a safe direction and your finger off of the trigger and outside the trigger guard.

▲ WARNING Be sure that the ammunition you are using is factory loaded, is of the correct caliber for the firearm in which it is to be used, and that it is not damaged in any way. Do not use reloaded, remanufactured, or handloaded ammunition as it may not meet applicable NATO, SAAMI or CIP standards.

- ▲ WARNING** Before firing, remove the magazine from the firearm, lock the action open, make sure the chamber is CLEAR of any ammunition or brass, and check the barrel of the unloaded firearm for any possible obstructions.
- ▲ WARNING** Before firing any firearm that is unfamiliar to you, make sure that you understand exactly how it functions. A lack of familiarity with the firearm can result in serious injury or death, damage to the firearm or other damage to property. Attend a certified training course on any firearm which you intend to use or with which you are not sufficiently familiar.
- ▲ WARNING** ALWAYS wear adequate ear protection and eye protection when using your firearm. Ear protection should be commercially manufactured, at a minimum, provide a noise reduction rating (NRR) of 24 decibels. Eye protection should, at a minimum, provide impact protection with side panels and meet ANSI standard Z87.1.
- ▲ WARNING** Firearms should be locked and stored unloaded, secured, and separately from ammunition in a suitable container out of the sight and reach of children and/or any unauthorized individuals.
- ▲ WARNING** Never store or transport ammunition in the same container as your pistol.
- ▲ WARNING** Alcohol or drugs should NEVER be used before or during use or handling of a firearm. Your vision, balance, coordination, and judgment could be seriously impaired, making your firearm handling unsafe.
- ▲ WARNING** If or when you are taking medication, ALWAYS seek a doctor's advice to be sure you are able to use and handle your firearm properly and safely.
- ▲ WARNING** NEVER alter or modify your firearm because alterations or modifications may impair the use of the firearm, including causing malfunctions or dangerous conditions.
- ▲ WARNING** Discharging firearms in poorly ventilated areas, cleaning firearms, or handling ammunition may result in exposure to lead; a substance known to be associated with birth defects, reproductive harm and other serious injury or death. Always have adequate ventilation. Wash hands thoroughly after handling ammunition, firing your pistol, and/or performing preventative maintenance on your pistol to minimize your lead exposure.
- ▲ CAUTION** Keep all body parts, including the hands and fingers, away from the muzzle to avoid injury or burns.
- ▲ CAUTION** Be sure that no part of either hand touches or interferes with the slide. The slide is moved backward by the recoil force of the pistol during firing and may cause serious injury.

Not all HK products are available to all U.S. states. Please check local laws and regulations before ordering. Heckler & Koch does not warrant that a person may legally purchase, possess, or carry specific items according to federal, state, or local laws.

Before leaving the factory, your HK VP9A1 pistol was tested, carefully inspected, and packaged. However, HK cannot control what happens to its pistols after they leave the factory, therefore, carefully examine your HK VP9A1 pistol when you acquire it to ensure that it is unloaded and undamaged.

If you need another copy of this manual, do not understand any of the warnings or instructions, or if you have any problems operating your HK pistol, contact us at:

HECKLER & KOCH

5675 Transport Boulevard Columbus, Georgia 31907

Customer Service: 706-701-5554

USA Website: www.hk-usa.com • Email: cs@heckler-koch-us.com

⚠ WARNING READ THE INSTRUCTIONS AND WARNINGS IN THIS OPERATOR'S MANUAL CAREFULLY BEFORE USING OR HANDLING THIS FIREARM. A firearm has the capability of taking your life or the life of someone else! Be extremely careful with your firearm. An accident can occur at any time and is almost always the result of not following basic safety rules.

OPERATOR'S MANUAL VP9A1 SERIES



HECKLER & KOCH

5675 Transport Boulevard
Columbus, Georgia 31907

Customer Service: 706-701-5554

USA Website: www.hk-usa.com • Email: cs@heckler-koch-us.com

© Heckler & Koch USA (Heckler & Koch Inc. and Heckler & Koch Defense Inc.) May 2026
All rights reserved. Specifications and models subject to change without notice.

DO NOT DISCARD THIS OPERATOR'S MANUAL. This Operator's Manual should be kept with this firearm and be transferred with this firearm if there is a change in ownership or it is presented to another person.

TABLE OF CONTENTS

Safety Rules	2-3
Section 1 Nomenclature	6
Section 2 Specifications	8
Section 3 Function and Operation	11
Cycle of Operation.....	11
Safety Features.....	13
California Compliant Safety Features (When Equipped).....	15
Section 4 Instructions for Use	16
Ammunition.....	16
Filling and Emptying the Magazine.....	17
Loading.....	18
Sights and Aiming.....	18
Cover Plate Removal / Installation.....	19
Firing.....	21
Unloading and Safety Check.....	22
Clearing and Safety Check Procedure.....	23
Section 5 Disassembly and Assembly	25
Disassembly.....	25
Assembly.....	27
Function Check.....	28
Installation of Backstrap.....	29
Magazine Disassembly.....	31
Magazine Assembly.....	31
VP9A1-B Push Button Magazine Release.....	33
Section 6 Cleaning and Maintenance	37
Cleaning.....	37
Inspection.....	39
Lubrication.....	39
Storage and Transport.....	42
Troubleshooting Problems and Repair.....	42
Section 7 Warranty	43
Section 8 Youth Handgun Safety Notice	46
Section 9 State Required Safety Notices	48
Section 10 Reese’s Law Safety Notice	50
Section 11 VP9A1 Parts List/Exploded View	51
Firearms Service Record.....	54

SECTION 1 NOMENCLATURE

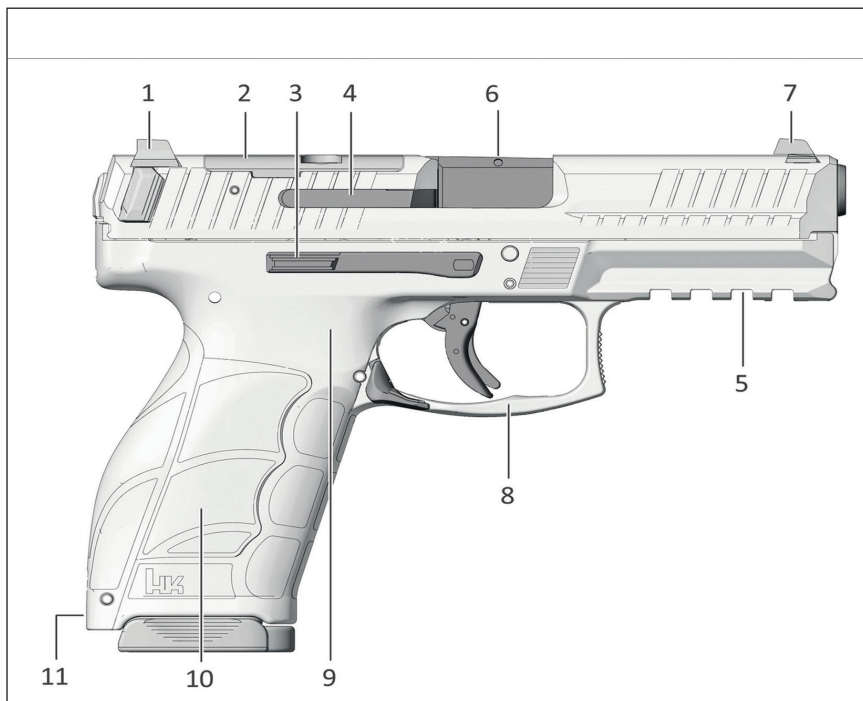


Figure 1 – VP9A1 Series (right side view)

- | | |
|---|-------------------------------|
| 1 Rear sight | 7 Front sight |
| 2 Cover plate | 8 Trigger guard |
| 3 Slide release, right | 9 Frame |
| 4 Extractor | 10 Grip panel, right |
| 5 Serial number | 11 Mounting point for lanyard |
| 6 Mark on barrel for
"Chamber Check" | |

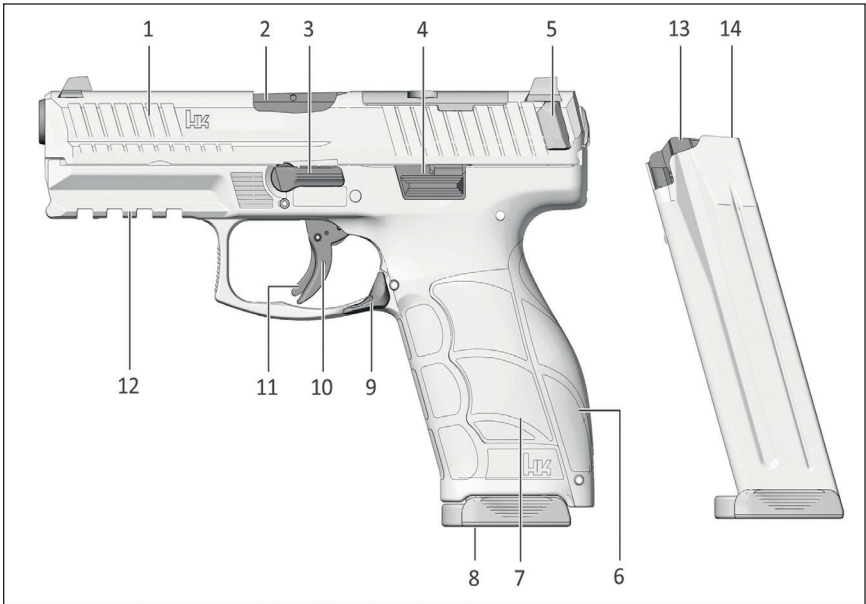


Figure 2 – VP9A1 Series (left side view)

- | | |
|----------------------------------|-------------------|
| 1 Slide | 8 Magazine |
| 2 Barrel | 9 Magazine catch |
| 3 Disassembly lever | 10 Trigger |
| 4 Slide release | 11 Trigger safety |
| 5 Charging support, ambidextrous | 12 Picatinny rail |
| 6 Backstrap | 13 Follower |
| 7 Grip panel, left | 14 Magazine lip |

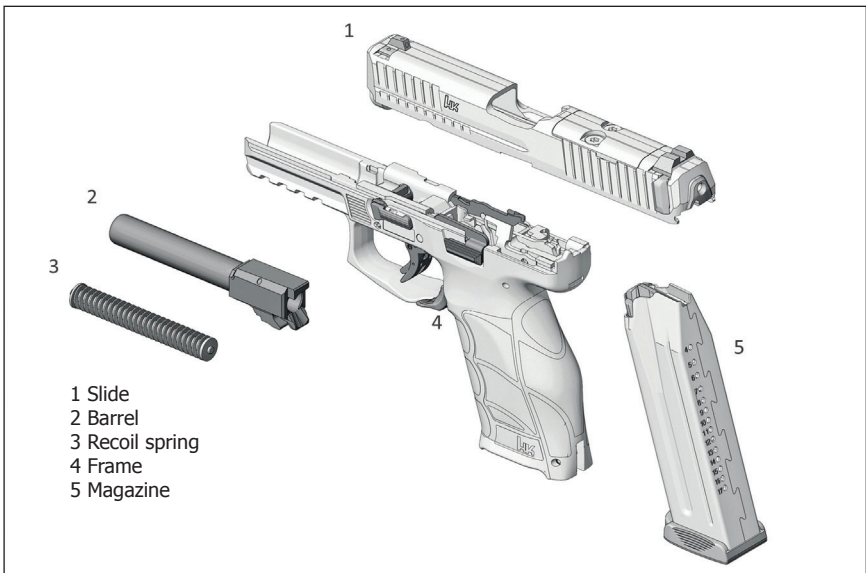


Figure 3 – VP9A1 Assembly Groups

SECTION 2 SPECIFICATIONS

	VP9A1 F (FULL SIZE)	VP9A1 X (CROSSOVER)	VP9A1 K (COMPACT)
Caliber	9 mm x 19 Luger		
Operating Principle	Short recoil-operated		
Action Type	Browning type, modified linkless locking system		
Firing Mechanism	Striker fired		
Magazine Capacity	10, 15, 17, 20 rounds	10, 15, 17, 20 rounds	10, 15 rounds

DIMENSIONS & WEIGHT

Length	7.76 inches / 197 mm	7.32 inches / 186 mm	7.32 inches / 186 mm
Width	1.30 inches / 33 mm	1.30 inches / 33 mm	1.30 inches / 33 mm
Height	5.47 inches / 139 mm	5.47 inches / 139 mm	5.12 inches / 130 mm
Barrel Length	4.53 inches / 115 mm	4.09 inches / 104 mm	4.09 inches / 104 mm
Sight Radius	6.58 inches / 167 mm	6.25 inches / 159 mm	6.25 inches / 159 mm
Weight w/o mag.	23.28 oz / 660 grams	22.70 oz / 644 grams	22.57 oz / 640 grams

TACTICAL MODELS

	VP9A1 F (TACT)	VP9A1 X (TACT)	VP9A1 K (TACT)
Magazine Capacity	10, 15, 17, 20 rounds	10, 15, 17, 20 rounds	10, 15 rounds

DIMENSIONS & WEIGHT

Length	8.2 inches / 208 mm	7.9 inches / 200 mm	7.9 inches / 200 mm
Width	1.30 inches / 33 mm	1.30 inches / 33 mm	1.30 inches / 33 mm
Height	5.72 inches / 145 mm	5.72 inches / 145 mm	5.38 inches / 136 mm
Barrel Length	5.1 inches / 130 mm	4.7 inches / 119 mm	4.7 inches / 119 mm
Sight Radius	6.58 inches / 167 mm	6.25 inches / 159 mm	6.25 inches / 159 mm
Weight w/o mag.	24.70 oz / 700 grams	24.3 oz / 689 grams	24.20 oz / 686 grams

OTHER DATA

Trigger Pull	4.5 - 5.5 pound force / 20 - 24 Newtons
Trigger Travel	0.24 inches / 6 mm
Return Travel	0.12 inches / 3 mm
Barrel Profile/Twist	Polygonal, 6 grooves, right-hand twist 1 in 9.8 inches / 1 in 250

SPECIAL MODELS

	VP9A1 M (MATCH)	VP9A1 L (LONG)
Magazine Capacity	10, 15, 17, 20 rounds	10, 15, 17, 20 rounds

DIMENSIONS & WEIGHT

Length	8.7 inches / 221 mm	8.2 inches / 208 mm
Width	1.30 inches / 33 mm	1.30 inches / 33 mm
Height	5.47 inches / 139 mm	5.47 inches / 139 mm
Barrel Length	5.5 inches / 139 mm	5 inches / 127 mm
Sight Radius	7.2 inches / 183 mm	6.7 inches / 170 mm
Weight w/o mag.	23.60 oz / 669 grams	23.10 oz / 655 grams
Trigger pull	4.0 - 5.0 pound force	4.5 - 5.5 pound force

MISCELLANEOUS

- Warranty Limited Lifetime Warranty for the original retail (commercial/civilian) purchaser, one year for law enforcement and military agency purchases

- Picatinny-style rail Extended Picatinny-style rail

- Safety Firing pin block, trigger safety, disconnecter, loaded chamber indicator and disassembly safety. Pistol and magazine comply to NATO AC/225, TOP 3-2-045, NIJ and SAAMI safety specifications including drop tests

- Disassembly No tools required for field strip. Magazine must be removed for disassembly. Minimal tools (simple punches) required for detailed level disassembly

OPTICS COMPATIBILITY

- Plate 1 - Burris FastFire2, Burris, FastFire3, Docter Sight III, Insight MRDS, Meopta MeoSight III - #50254261
- Plate 2 - Trijicon RMR - #50254262
- Plate 3 - C-More STS 2 - #50254263
- Plate 4 - Leupold DeltaPoint Pro - #50254264
- Plate 5 - Vortex Venom, Vortex Viper - #50254265
- Plate 6 - Aimpoint Acro - #50257961
- Plate 7 - Shield - #50236732
- Holosun K - #51000381
- Steel, 509T - #51000792

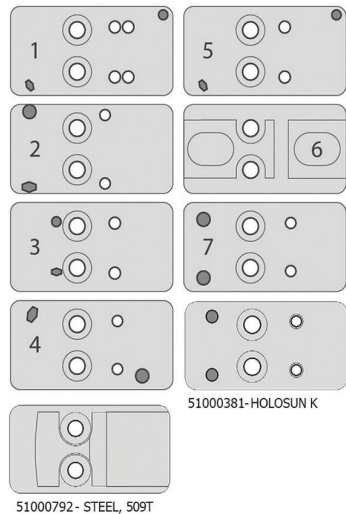


Figure 4 – Compatible optic plates

INSTRUCTIONS FOR USE OF HK THREAD PROTECTORS



For HK handguns with threaded barrels and thread protectors: ***Most HK thread protectors are designed with reverse thread (to install & tighten, turn counter clockwise / to remove & loosen, turn clockwise).*** Be sure to verify the correct thread direction on your HK handgun's threaded barrel before attempting to

remove or install, **DO NOT OVER TIGHTEN THREAD PROTECTORS.**

Thread protectors must be removed from the handgun's barrel prior to disassembly and assembly of the handgun. Use of "lock tight" thread adhesives is not recommended.



**VP9 Tactical
VP40 Tactical
HK45 Tactical
HK45 Compact Tactical
USP45 Tactical
USP45 Compact Tactical
USP40 Tactical
USP9 SD & USP9 Tactical
any 9mm or .40 caliber P30,
P2000, or P2000 SK with a
threaded barrel**

**ONLY the .45 ACP HK Mark 23 has
conventional, clockwise thread!**

SECTION 3 FUNCTION AND OPERATION

CYCLE OF OPERATION

The cycle of operation is a recurring sequence of mechanical events which takes place in the operation of a self-loading firearm. The sequence for the VP9A1 pistol begins with a loaded magazine inserted into the magazine well with the slide locked back to the rear.

1. Feeding: Removal of a round from the magazine

Depressing either side of the ambidextrous slide release or pulling slightly back on the charging supports allows the recoil spring to expand, driving the slide forward. The feed pawl, an extrusion that is located on the bottom of the slide, passes between the feed lips of the magazine housing, striking the top cartridge, and pushing it toward the chamber. The bullet then contacts the barrel feed ramp, allowing the base of the cartridge to pivot upwards on the slide breech face.

2. Chambering: Placing and seating the round into the chamber of the barrel

The recoil spring continues to expand, driving the slide forward and the slide positions the cartridge into the chamber. The base of the cartridge continues to pivot upwards as the slide mounted extractor engages the cartridge extractor rim. Chambering is complete by the time the barrel starts to move when the slide comes in contact with the back of the barrel locking block and starts to pivot the barrel upwards and forward.

3. Locking: Closing and locking of the breech mechanism prior to the shot

As the slide is moving forward, the slide breech face contacts the extension on the back of the barrel locking block and thus pivots the barrel upward until the stepped forward edge of the barrel locking block engages the forward edge of ejection port. As the slide locks into position, the frame mounted disconnector is allowed to pivot upwards into a corresponding relief cut milled on the inside of the slide, thus allowing the trigger bar access to the sear release catch. The locking phase is complete when the slide reaches its limit of forward travel.

4. Firing: Ignition of the cartridge primer and propellant

As the operator pulls back on the trigger, the trigger safety pivots upwards, allowing the trigger to be pulled back toward the rear. The trigger bar, connected to the trigger, moves back as well, allowing an engagement surface on the trigger bar to pivot the spring loaded firing pin safety to the side allowing the firing pin to move forward once the trigger is pulled. The trigger bar continues to move to the rear until the back of the trigger bar contacts and then presses downward on the sear release catch. The sear release catch, in turn, pushes downward on the sear, disengaging the sear from the firing pin and then allowing the firing pin to move forward, being driven by the expansion of the firing pin spring. The tip of the firing pin contacts and dents the primer. The primer detonates which, in turn, ignites the propellant. The projectile, separated from the cartridge case, is forced down the barrel by the expanding gases and is stabilized by the polygonal rifling located inside the barrel.

5. Unlocking: Removal of any blocking mechanism to allow the opening of the breech

The resultant force of the cartridge firing produces an impact on the slide and barrel, initially pushing both the slide and barrel back in unison. The slide ejection port pushes back on the barrel locking block and after approximately 4.5 millimeters of travel, the barrel pivots downward until the barrel angular locking surface engages the contact surface on the frame mounted locking block.

6. Extracting: Removal of the fired cartridge case or live round from the chamber

With the barrel now retained by the locking block, the slide continues to move toward the rear. The extractor pulls the fired cartridge case or live round from the chamber.

7. Ejecting: Expulsion of the fired cartridge case or live round from the firearm

The extractor engages the cartridge case extractor rim as the slide travels to the rear. The extractor creates a pivot and the frame mounted ejector creates a contact point. As the slide rakes the cartridge case against the ejector, the ejector pushes the cartridge case out through the ejection port.

8. Cocking: Accomplished when the recoil spring drives the slide into battery

In doing so, the cocking pawl on the bottom of the firing pin engages the intercept notch on the top of the sear and thus tensioning the main spring on the firing pin assembly.

SAFETY FEATURES

▲WARNING Your VP9A1 pistol does not have a conventional manual safety and it will fire if the trigger is pulled when there is a round in the chamber.

▲WARNING Although HK pistols have several design features and mechanical safeties designed to prevent an unintentional discharge if the pistol is dropped or hit, proper and safe function of your VP9A1 pistol depends upon it only being used for its intended purpose and not being altered or modified. As with any mechanical device, parts failures can occur if your VP9A1 pistol is subjected to unusual and extreme forces. Therefore, to minimize the risk of negligent discharge, serious injury, or death, safe firearm handling practices and the warnings and instructions in this manual must always be followed.

NOTICE The VP9A1 is tested and rated to AC225/TOP/SAAMI drop standards. Firearms are dropped from a specified height, designed to simulate a handgun slipping from a user's hand in multiple orientations.

The VP9A1 incorporates the following safety features:

1. Trigger safety

The trigger safety prevents the trigger from being released accidentally if the weapon is dropped, for instance. The trigger safety blocks the trigger and thus prevents the cocked striker/firing pin from being released. Only when the trigger safety is squeezed completely does the trigger safety release the trigger.



Figure 5 – Trigger safety

2. Firing pin safety

The firing pin safety prevents the firing pin from being able to strike the cartridge primer in the event of an accidental discharge, for instance if the weapon is dropped. The firing pin remains blocked until the trigger is pulled.

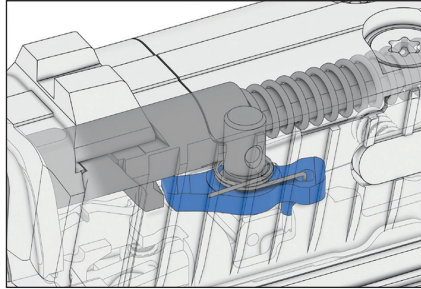


Figure 6 – Firing pin safety

3. Disassembly safety

The disassembly safety mechanism prevents a cartridge from being in the chamber while the weapon is being disassembled. The disassembly lever cannot be operated until the magazine is removed and the slide is locked to the rear. Removing the magazine ensures that a cartridge cannot be fed into the chamber. If there is a cartridge in the chamber, the cartridge will be ejected when the slide is pulled back. Consequently, there can be no round in the chamber when the weapon is disassembled into assembly groups. When the disassembly safety is in the downward position the firing pin is decocked.

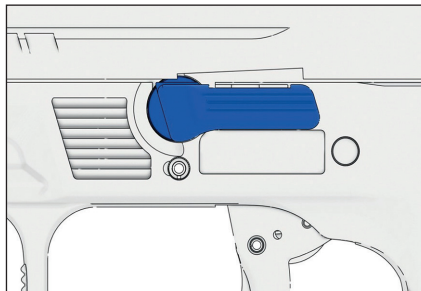


Figure 7 – Disassembly safety

4. Trigger bar disconnect

The trigger bar disconnect ensures that the weapon cannot be fired until the slide is in the locked position. If the slide is in an unlocked position, the disconnect breaks the connection between trigger bar and firing pin. The disconnect does not release the trigger bar until the slide is in a locked position.

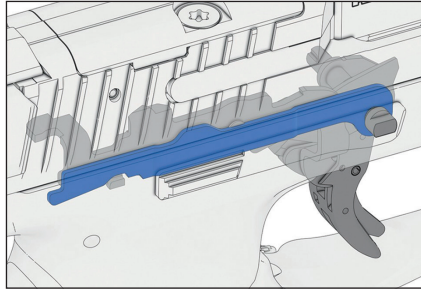


Figure 8 – Trigger bar disconnect

5. Loaded chamber indicator

The red marking on the extractor indicates when there is a cartridge loaded in the chamber.

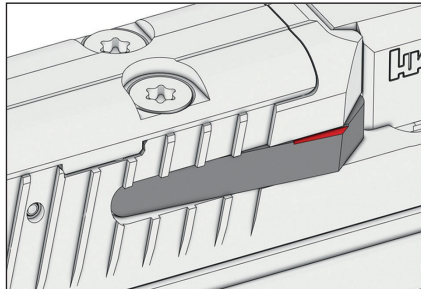


Figure 9 – Loaded chamber indicator

6. Firing pin cocking indicator

The red marking on the back of the firing pin indicates when the firing pin is cocked.

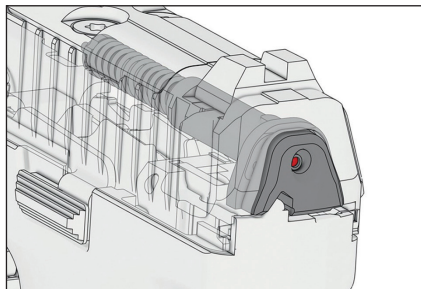


Figure 10 – Firing pin cocking indicator

CALIFORNIA COMPLIANT SAFETY FEATURES (WHEN EQUIPPED)

1. California Loaded Chamber Indicator

The red marking on the extractor, now presents a more visible and tactile indicator as to whether or not there is a cartridge loaded in the chamber.

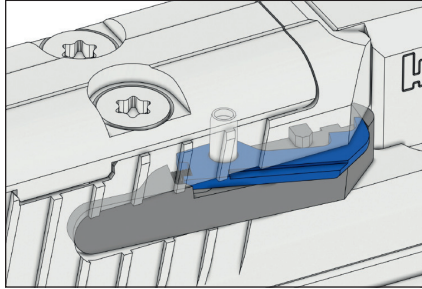


Figure 11 – California loaded chamber indicator showing loaded

2. California Magazine Safety

Magazine safety prevents the weapon from being able to fire if the magazine is removed. The magazine must be inserted into the weapon to fire.

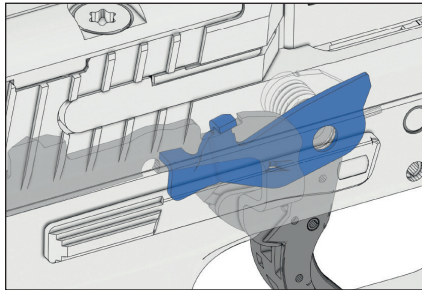


Figure 12 – California magazine safety

SECTION 4 INSTRUCTIONS FOR USE

AMMUNITION

▲WARNING VP9A1 pistols are designed to fire quality, brass-cased, factory-loaded ammunition loaded to NATO, SAAMI (Sporting Arms and Ammunition Manufacturers' Institute), or CIP (Permanent International Commission for the Proof of Small Arms) specifications for use, specifically in handguns. **DO NOT USE "+P+" reloaded, remanufactured, steel cased, aluminum cased, or handloaded ammunition because it may not meet applicable NATO, SAAMI or CIP standards and could cause death, serious personal injury, and/or damage to your pistol and may void your warranty.**

NOTICE HK specifically disclaims any responsibilities for any damage or injury that may occur because of, or as a result of, the use of faulty, remanufactured, or reloaded (handloaded) ammunition, or of cartridges other than those for which the pistol was originally chambered.

Consider the following guidelines when selecting the correct ammunition which meets applicable NATO, SAAMI or CIP standards for your pistol:

1. Be sure the ammunition you have chosen is compatible with your pistol: proper caliber, cartridge, bullet weight, etc. Caliber markings on VP9A1 pistols appear on the barrel locking block, visible through the ejection port on the right side of the slide.
2. Prior to loading the magazine and chamber, carefully inspect all cartridges for any abnormalities, including, but not limited to:
 - Cracked, split, dirty, or corroded cases
 - Improperly seated projectiles and/or primers
 - Damaged projectiles
3. Do not attempt to fire a cartridge in which the projectile has been forced back into the case. Upon firing, this condition may result in increased chamber pressure above safe limits.
4. Do not fire ammunition that:
 - Is military surplus
 - Is assembled with corrosive primer and/or propellant
 - Steel or aluminum cased ammunition
 - Cast lead projectiles
 - Is exposed to oil, grease, water or direct sunlight. If possible, remove contaminants before use and cool down ammunition exposed to direct sunlight or heat. (Exposure to sources of heat could raise the chamber pressure of the cartridge above safe limits).
 - Is loaded specifically for use in submachine guns
 - Is rated as +P+

FILLING AND EMPTYING THE MAGAZINE

▲WARNING Your VP9A1 pistol does not have a conventional manual safety and it will fire if the trigger is pulled when there is a round in the chamber, even if the magazine is removed.

▲WARNING NEVER forcefully insert a loaded magazine into a pistol. This may cause the pistol slide to close, chambering a cartridge and making the pistol ready to fire. When inserting a magazine, always be sure the pistol is pointed in a safe direction (a safe direction is one in which no one can possibly be injured in the event of an unintentional discharge) with your fingers off the trigger and outside the trigger guard. Failure to do so could cause you to unintentionally fire the pistol, resulting in serious injury, death, or other damage to property.

NOTICE Do not attempt to load more than the prescribed number of cartridges into the magazine. Do not alter the shape of the magazine housing, follower or spring. To do so may cause stoppages or the magazine may not seat properly in the pistol.

Filling the Magazine

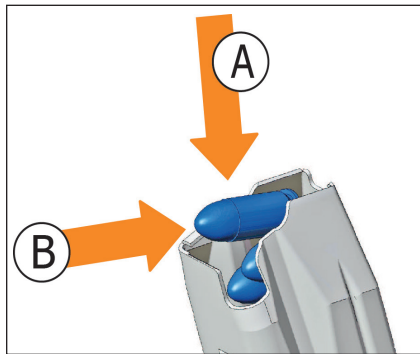


Figure 13 – Loading the magazine

1. Hold the magazine in the non-firing hand with the back side of the magazine resting against the palm.
2. Using the firing hand, hold a cartridge between the index finger and thumb with the projectile facing the palm.
3. Press the rim of the cartridge down against the forward edge of the magazine follower or on the top cartridge already in the magazine.
4. Slide the cartridge back into the magazine under the feed lips.
5. Repeat steps 1-4 until the magazine is full. The viewing holes in the back of the magazine allow the operator to confirm the number of cartridges present within the magazine.

Emptying the Magazine - Exert pressure with a finger on the rim of the cartridge and push each cartridge forward out of the magazine one at a time until the magazine is empty.

LOADING

⚠ WARNING VP9A1 pistols are designed to fire quality, brass-cased, factory-loaded ammunition loaded to NATO, SAAMI (Sporting Arms and Ammunition Manufacturers' Institute), or CIP (Permanent International Commission for the Proof of Small Arms) specifications for use, specifically in handguns. **DO NOT USE "+P+" reloaded, remanufactured, steel cased, aluminum cased, or handloaded ammunition because it may not meet applicable NATO, SAAMI or CIP standards and could cause death, serious personal injury, and/or damage to your pistol and may void your warranty.**

NOTICE HK specifically disclaims any responsibilities for any damage or injury that may occur because of, or as a result of, the use of faulty, remanufactured, or reloaded (handloaded) ammunition, or of cartridges other than those for which the pistol was originally chambered.

Administrative Loading - Used to initially load the pistol before it is to be fired. Slide rearward or forward, chamber EMPTY.

1. Make sure fingers are outside of the trigger guard and the pistol is always pointed in a safe direction (a safe direction is one in which no one can possibly be injured in the event of an unintentional discharge).
2. Insert magazine - Insert the magazine firmly into the frame assembly until the magazine catch engages. Tug on the magazine floorplate to ensure that it is fully seated and engaged.
3. Chamber a cartridge - Chamber a cartridge by depressing the slide release or by pulling the slide fully to the rear and releasing it. Do not ride the slide forward. Let it go forward from the force of the recoil spring.
4. Chamber check - Retract the slide until the chamber check mark aligns with the locking surface on the slide. This will give visual access to ensure a cartridge is chambered.

VP9A1 pistols are test-fired for accuracy by ensuring the point of aim equals the point of impact at 25 meters (27.3 yards) with 124 grain ammunition. Individual results concerning accuracy and/or shot placement are affected by such factors as stance, grip, ammunition, and engagement range.

SIGHTS AND AIMING

The VP9A1 is equipped with a traditional sighting system. The sights are adjustable for windage by drifting. Sights are installed and aligned by HK technicians at the factory. Figure 14 shows correct sight alignment, the VP9A1 series is a center hold. Figure 15 shows common sight errors.

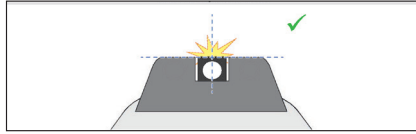


Figure 14 – Correct sight alignment

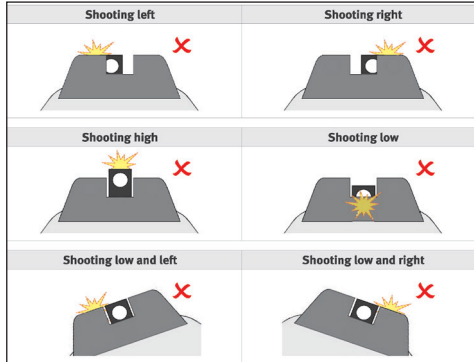


Figure 15 – Common sight alignment errors

COVER PLATE REMOVAL AND INSTALLATION

REMOVE COVER PLATE

1. Loosen screws with a torque wrench TORX15 and remove them (Fig. 16).
2. Remove cover plate.

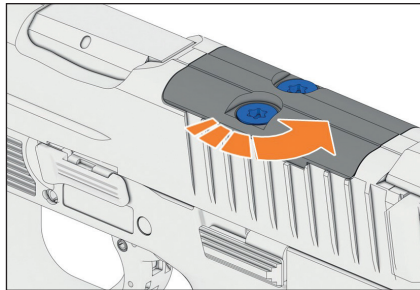


Figure 16 – Loosen screws

INSERT COVER PLATE

1. Adjust torque wrench to 2 Nm / 18 in-lbs.
2. Insert cover plate in slide.
3. Insert screws in cover plate.
4. Tighten screws until the torque is reached (Fig. 17).

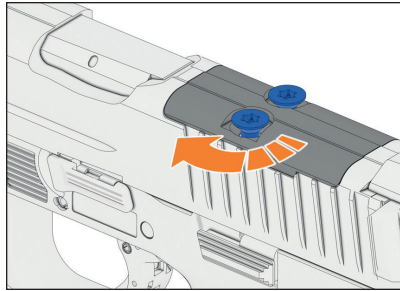


Figure 17 – Tighten screws

ASSEMBLE THE ADAPTER PLATE AND THE RED DOT SIGHT

1. Remove cover plate.
2. Adjust torque wrench to 2 Nm / 18 in-lbs.
3. Place suitable adapter plate on optic mounting surface.
4. Insert screws into adapter plate (Fig. 18)

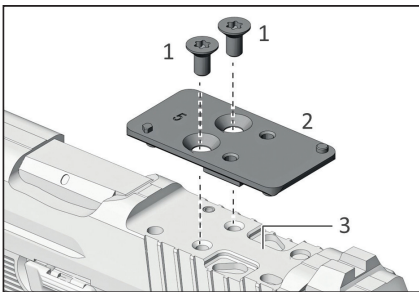


Figure 18 – Tighten screws

- 1 Screw M4 x 8 mm (2x)
- 2 Adapter plate
- 3 Optic mounting surface

5. Tighten screws until the torque is reached (Fig. 19).
6. Place red dot sight on the adapter plate.
7. Insert screws in the red dot sight.
8. Tighten the screws to the optic manufacturer torque specifications.

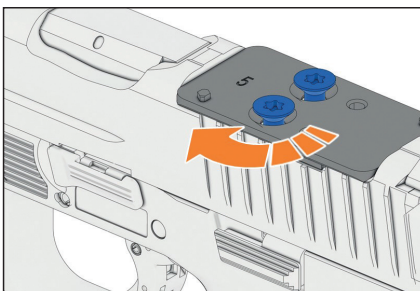


Figure 19 – Tighten screws

Required auxiliary materials:

- Torque wrench
- Torx insert TX15

FIRING

▲ WARNING ALWAYS be sure of your target and what is behind it! A bullet from a pistol can travel as far as 2 miles. It can easily penetrate wood, plasterboard walls, or even a car door. ALWAYS be sure that your backstop is adequate to stop and contain bullets before firing so that you do not hit anything outside of the shooting range area.

▲ WARNING NEVER shoot at a hard surface, such as a rock, or a liquid surface, such as water, because a bullet may ricochet and travel in any direction, striking you or someone else. If in doubt, do not shoot.

▲ WARNING ALWAYS be sure that the barrel of your pistol is clear of obstructions before firing. If any obstruction is found, remove it – including any excess lubricants – before firing so that your pistol will function safely and correctly. Any obstruction in the barrel could prevent the pistol from firing properly and result in death or serious personal injury, and/or damage to the pistol.

▲ WARNING NEVER use your VP9A1 pistol if it fails to function properly, and never force the slide closed on a jammed cartridge because it could cause the cartridge to explode.

▲ WARNING ALWAYS wear adequate eye protection when firing the pistol. Eye protection should, at a minimum, provide impact protection with side panels and meet ANSI standard Z87.1. Unprotected eyes can be injured by fragments expelled from the pistol, ejected cartridge cases, ruptured cartridge cases, splash back from targets, target frames, or backstops.

▲ WARNING ALWAYS wear adequate commercially manufactured ear protection when firing the pistol. Unprotected exposure to gunshot noise can cause tinnitus and/or permanent hearing loss.

▲ WARNING Your VP9A1 pistol does not have a conventional manual safety and it will fire if the trigger is pulled when there is a round in the chamber, even if the magazine is removed.

▲ WARNING Hot gasses and powder are forcefully expelled from your pistol when it is fired. ALWAYS be sure that your hands and all parts of your body are kept away from the muzzle of your pistol.

▲ WARNING ALWAYS ensure that a responsible and competent person is placed in charge to maintain safety, discipline, and control when a group is firing at a range, to reduce the likelihood of a negligent discharge.

▲ WARNING ALWAYS carry your pistol unloaded with the slide locked open in the rearward position while on a range until preparing to fire. Always keep the pistol pointed toward the backstop when loading, firing, and unloading.

▲ CAUTION When ready to fire, be sure that the area behind the slide is clear, including your thumb, and do not hold the pistol near your body, because the slide will move forcefully rearward when the pistol is fired. When firing with a two-handed grip, the thumb of the weak hand should be on the weak hand side of the pistol, never behind the slide.

▲ CAUTION ALWAYS keep yourself and others clear of the ejection port because spent cartridges are hot and are ejected with enough force to cause injury. NEVER touch the slide or barrel immediately after firing, because they may be hot and could cause burns.

▲CAUTION NEVER place your fingers in the ejection port, other than when the slide is locked in the fully rearward position and you are checking to ensure that the chamber is empty. Your fingers could be injured by the movement of the slide.

▲CAUTION NEVER fire your pistol near an animal unless it is trained to accept that noise. An animal's startled reaction could injure it or cause it to injure you or someone else.

1. Acquire the proper sight alignment and sight picture (see Figure 14).
2. Control breathing.
3. Gradually squeeze the trigger straight to the rear while attempting to avoid disruption to the sight picture and alignment.
4. Practice good follow-through techniques by maintaining proper sight picture and trigger squeeze until after the firearm has discharged and cycled fully.



Figure 20 – Two-handed grip with trigger finger on the trigger, sights aligned and ready to fire

UNLOADING AND SAFETY CHECK

▲WARNING The firearm is not **EMPTY** or unloaded until the magazine is removed and the chamber is **CLEAR**. It is possible that a cartridge may be in the chamber when a magazine is being removed from or inserted into your pistol. A cartridge in the chamber will discharge when the trigger is pulled, whether or not a magazine is in your pistol. **NEVER** leave your pistol unattended, even when the magazine is removed. You must **ALWAYS** verify that the chamber is empty before disassembling your pistol for cleaning or any other purpose.

▲WARNING If an unfired cartridge hangs up, jams, or binds while being chambered, do not attempt to force it into the chamber by pushing or striking the slide to attempt to close it because this could cause the cartridge to burst, which can result in fragments of the cartridge flying out of the ejection port with sufficient force to cause death, serious personal injury, and/or property damage.

▲WARNING **ALWAYS** wear safety glasses when clearing your pistol to protect your eyes and turn the pistol's ejection port away from you. Eye protection should, at a minimum, provide impact protection with side panels and meet ANSI standard Z87.1. Do not use a metal tool to attempt to remove an unfired cartridge because it could ignite the primer and cause the cartridge to rupture resulting in fragments of the cartridge flying out of the ejection port with sufficient force to cause death, serious injury, and/or property damage.

▲WARNING **NEVER** rely solely on a mechanical device or your memory to determine whether your pistol is loaded. **ALWAYS** remove the magazine, retract and lock the slide by pulling it fully to the rear and locking it open, and then visually and physically check with your finger to ensure there is not a cartridge in the chamber.

The slide on the VP9A1 pistol is locked back after the last round is ejected from the pistol. The magazine follower engages a tab located on the inside of the left-hand slide release. As the slide release is pivoted upwards, the back of the release engages a cut-out on the bottom of the slide and locks the slide to the rear.

The magazine can then be removed by depressing either side of the ambidextrous magazine release. Both a visual and a physical (with your finger) inspection should be performed on the chamber/ feed ramp area to ensure the pistol is unloaded.

If the operator wishes to cease firing and unload the firearm before the last round in the magazine is fired, the standard clearing procedure for the VP9A1, detailed below, should be completed.

CLEARING AND SAFETY CHECK PROCEDURE

To unload and clear your pistol, you MUST proceed in this order.

1. Point the muzzle of the VP9A1 pistol in a safe direction.

Ensure the muzzle of the VP9A1 is pointed in a safe direction (a safe direction is one in which no one can possibly be injured in the event of an unintentional discharge) and that the operator's finger is off the trigger and outside the trigger guard.

2. Remove the magazine.

1. Hold your hand under the magazine.
2. Press paddle magazine catch (Fig. 21-A1) / press button magazine catch (Fig. 21-A2).
3. Remove magazine (Fig. 21-B).

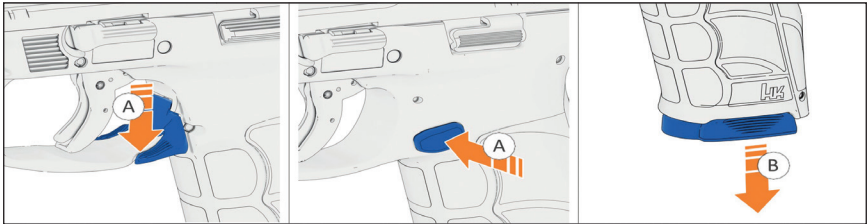


Figure 21 - A1 - Paddle

Figure 21 - A2 - Button

Figure 21 - B - Magazine Removal

3. Open and lock the slide to the rear.

Grasping the rear serrations, rack the slide to the rear while keeping the muzzle pointed in a safe direction (A). Push and hold upwards on either side of the ambidextrous slide release (B) and lock the slide to the rear by allowing the slide to move forward until it engages the slide release. Watch for a cartridge or empty case to be ejected out through the ejection port.

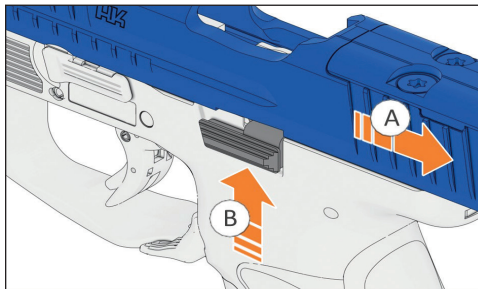


Figure 22 - Locking the slide to the rear

4. Inspect the chamber.

Inspect the chamber for the presence of a cartridge or empty case by:

1. Visually inspecting the chamber through the open ejection port.
2. Physically inserting a finger through the ejection port and sweeping the chamber and feed ramp area.
3. Removing any cartridges or empty cases from the chamber or from within the VP9A1.
4. If the cartridge remains in the chamber repeat the Clearing Procedure. If the cartridge will not extract contact a gunsmith.

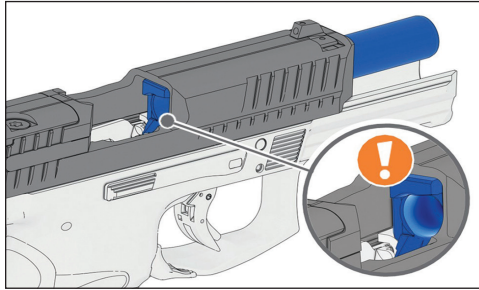


Figure 23 – Clearing the VP9A1 Pistol

SECTION 5 DISASSEMBLY AND ASSEMBLY

▲WARNING The firearm is not empty or unloaded until the magazine is removed and the chamber is clear. It is possible that a cartridge may be in the chamber when a magazine is being removed from or inserted into your pistol. A cartridge in the chamber will discharge when the trigger is pulled, whether or not a magazine is in your pistol. Never leave your pistol unattended, even when the magazine is removed. You must always verify that the chamber is empty before disassembling your pistol for cleaning or any other purpose.

▲WARNING Unload all magazines and remove all live ammunition from the area before disassembling your pistol to reduce the chance of a negligent discharge.

▲WARNING Never rely solely on a mechanical device or your memory to determine whether your pistol is loaded. Always remove the magazine, retract and lock the slide by pulling it fully to the rear and locking it open, and then visually and physically check with your finger to ensure there is not a cartridge in the chamber.

▲WARNING Never alter or modify your VP9A1 pistol because this could cause it to malfunction and create a dangerous condition.

▲WARNING Always wear safety glasses when disassembling your pistol to protect your eyes. Eye protection should, at a minimum, provide impact protection with side panels and meet ANSI standard Z87.1. Components, such as springs, are under pressure and could cause serious injury.

DISASSEMBLY

To disassemble your VP9A1 pistol for cleaning, or any other purpose, follow the instructions below. To ensure that your pistol is unloaded, disassembly **MUST** be performed in this order.

Make sure the pistol is CLEAR.

1. Conduct the CLEARING AND SAFETY CHECK PROCEDURE located in Section 4.
2. With the slide still locked to the rear and the magazine removed, rotate disassembly lever, located on the left-hand side of the frame assembly, downward until the lever is pointing to approximately the six o'clock position (see Figure 24).

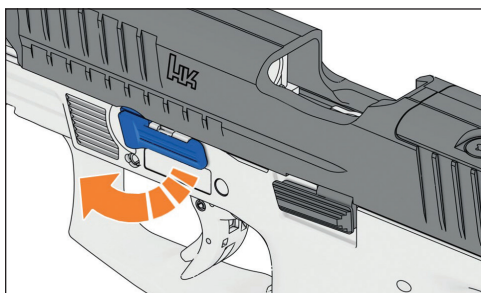


Figure 24 – Rotating the disassembly lever

3. Depress the slide release and guide the slide forward, removing the slide from the top of the frame assembly (see Figure 25).

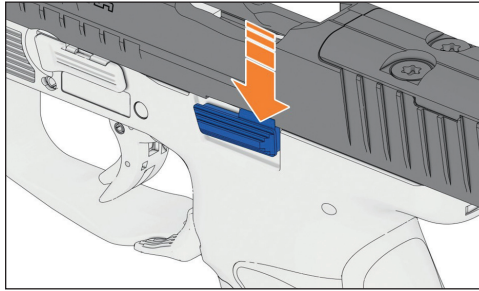


Figure 25 – Removing slide from frame assembly by guiding it forward

4. Turn the slide upside down and carefully push the recoil spring forward and upward, separating the recoil spring from the barrel and slide (see Figure 26).

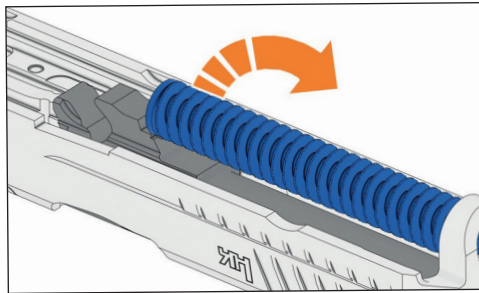


Figure 26 – Removing the recoil spring

5. Pivot the barrel slightly forward and press upward on the barrel locking block through the ejection port, separating the barrel from the slide.

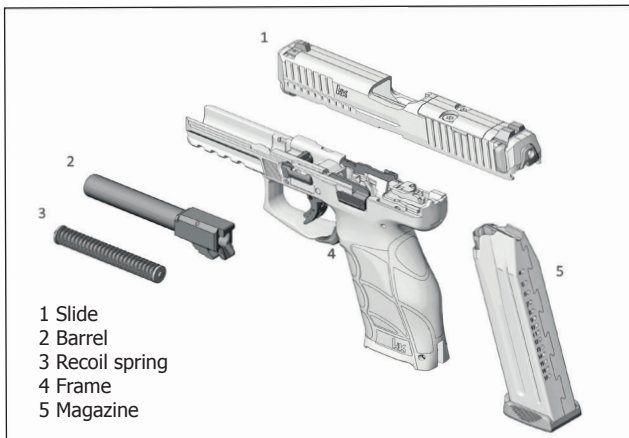


Figure 27 – Sub Assemblies of VP9A1 disassembled

ASSEMBLY

1. Place barrel into slide.
2. Push barrel to the rear until the barrel locks with the slide.

NOTICE Note mounting position of recoil spring.

3. Insert recoil spring into slide (Fig. 28).
4. Brace recoil spring on the control surfaces on the barrel (Fig. 29). Note installation position of recoil spring. (Fig. 30).

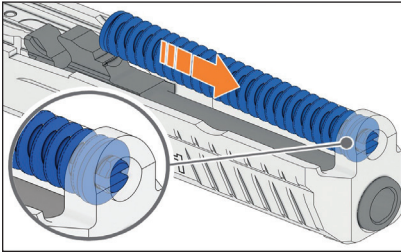


Figure 28 – Insert recoil spring

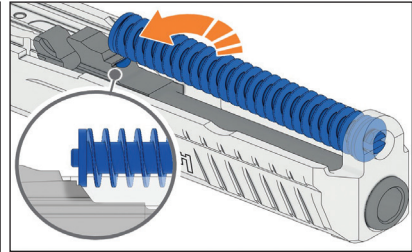


Figure 29 – Rest recoil spring

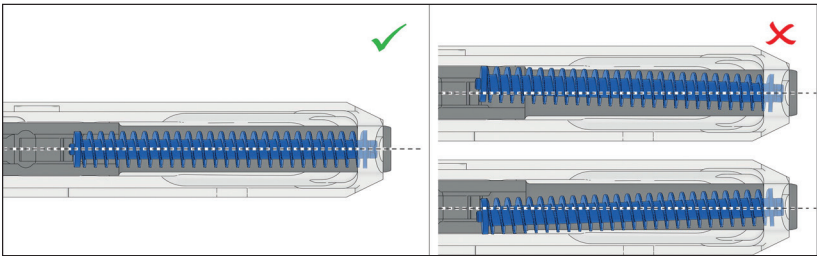


Figure 30 – Installation position of recoil spring

5. Place slide onto frame from above and push over the guide-rails of the frame (Fig. 31).
6. Lock slide.

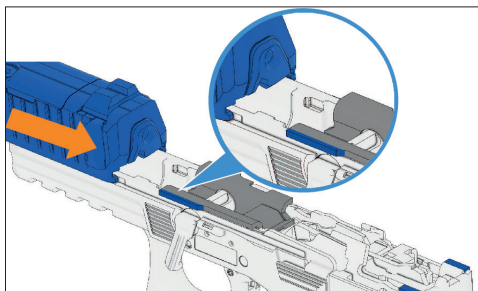


Figure 31 – Push slide over guide-rails

7. Turn disassembly lever counterclockwise as far as it will go (Fig. 32).
8. Carry out a function check.

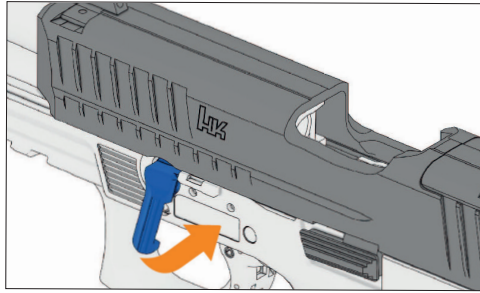


Figure 32 – Turn disassembly lever counterclockwise

FUNCTION CHECK

It is essential that a function check be performed on the VP9A1 pistol after reassembly to ensure that the firearm's components have been correctly installed.

1. Conduct the CLEARING AND SAFETY CHECK PROCEDURE located in Section 4.
2. Rack the slide toward the rear three to four times in quick succession, ensuring that fingers are off the trigger and outside the trigger guard. The slide should be able to move back and forth, under the force of the recoil spring, without binding or locking up.
3. Return the slide to the forward position.
4. With the firearm EMPTY and the muzzle in a safe direction, pull the trigger and listen for an audible click.
5. Rack the slide to the rear and release, again keeping constant pressure on the trigger until the slide returns to battery. Release the trigger and listen for an audible click, signifying the trigger has reset.
6. Insert an EMPTY magazine in the magazine well and rack the slide to rear. The slide should lock on an EMPTY magazine.
7. Remove the empty magazine. Ensure the pistol is CLEAR.

INSTALLATION OF THE BACKSTRAPS

▲WARNING Make sure that the firearm is **CLEAR** (magazine removed and chamber empty) before changing backstraps or frame assembly.

▲WARNING ALWAYS wear safety glasses when disassembling your pistol to protect your eyes. Eye protection should, at a minimum, provide impact protection with side panels and meet ANSI standard Z87.1. Components, such as springs, are under pressure and could cause serious injury.

The exchangeable backstraps and grip panels allow an ergonomically optimal hand position for any hand size. To adjust the frame, the grip panels and the backstrap that do not fit have to be removed and grip panels and a backstrap that fit installed.

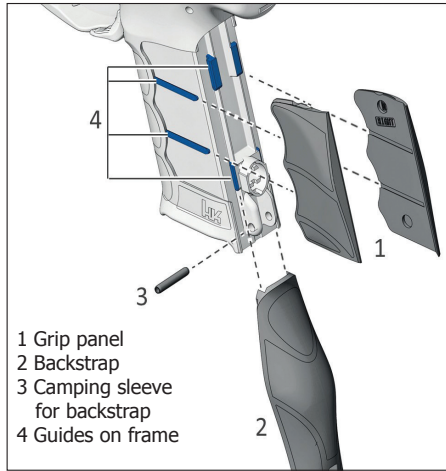


Figure 33 – Back strap and grip panels

Disassemble grip panels and backstrap

Required auxiliary materials:

- Ø 2.8 mm / .11 in. pin punch
- Hammer

1. Conduct the CLEARING AND SAFETY CHECK PROCEDURE located in Section 4.
2. Extract clamping sleeve for backstrap using pin punch (Fig. 34).
3. Push backstrap downwards and remove.
4. Push left grip panel and right grip panel to the rear and remove.

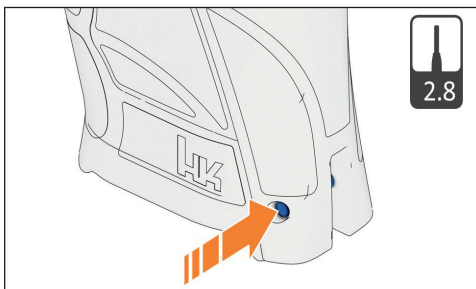


Figure 34 – Drive out clamping sleeve for backstrap

Assemble grip panels and backstrap

Required auxiliary materials:

- Ø 2.8 mm / .11 in. pin punch
- Hammer

NOTICE Improperly assembled grip panels can cause malfunctions. Make sure after assembling the grip shells that there is no gap between frame and grip panel.

1. Slide grip panels into the plastic guides of the frame from rear to front (Fig. 35).
2. Place backstrap from the rear onto the guides on the frame and push upwards.
3. Drive in clamping sleeve for backstrap using pin punch.

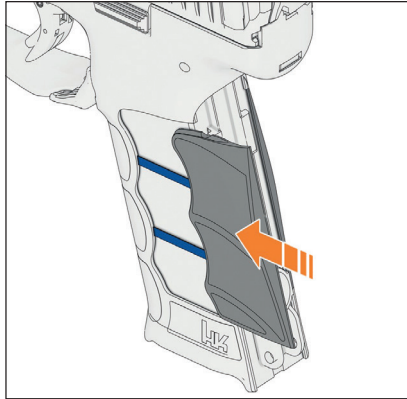


Figure 35 – Slide grip panels into guides

If you encounter any problems in attempting to disassemble, assemble and/or conduct a function check on the VP9A1 pistol contact the Heckler & Koch Customer Service Department at 706-701-5554 or by email at cs@heckler-koch-us.com

MAGAZINE DISASSEMBLY

▲WARNING Unload the magazines and remove all live ammunition from the area before disassembling your magazine.

▲WARNING Be aware of the force exerted by the magazine spring while removing and installing the magazine floorplate. Always keep the base of the magazine pointed away from the face and eyes of yourself and others. Always wear safety glasses when disassembling your pistol to protect your eyes. Eye protection should, at a minimum, provide impact protection with side panels and meet ANSI standard Z87.1. Components, such as springs, are under pressure and could cause serious injury.

Disassembly of magazines

Required auxiliary materials:

- Ø 2.8 mm / .11 in. pin punch

1. Using pin punch, push in magazine locking plate (A) and slide magazine floor plate forwards slightly (B) (Fig. 36).
2. While applying pressure to the locking plate, pull the magazine floorplate off of the magazine housing.
3. Slowly release spring pressure, then remove magazine locking plate, magazine spring and follower.

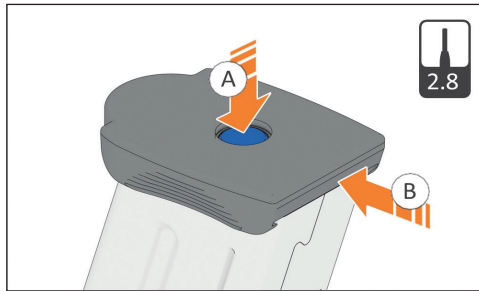


Figure 36 – Slide magazine floor plate forward

MAGAZINE ASSEMBLY

▲WARNING Be aware of the force exerted by the magazine spring while removing and installing the magazine floorplate. ALWAYS keep the base of the magazine pointed away from the face and eyes of yourself and others. ALWAYS wear safety glasses when disassembling your pistol to protect your eyes. Eye protection should, at a minimum, provide impact protection with side panels and meet ANSI standard Z87.1. Components, such as springs, are under pressure and could cause serious injury.

NOTICE Magazine springs and followers are optimized for their specific capacity. Ensure magazines are reassembled with the correct capacity-specific components. Using incorrect components for the stated magazine capacity may result in malfunctions. Example: do not install the 10 round spring or follower inside a larger capacity magazine.

1. Set follower onto magazine spring. Observe installation position (Fig. 38).
2. Place magazine spring onto magazine locking plate. Observe installation position (Fig. 38).
3. Press follower, magazine spring and magazine locking plate into magazine housing.

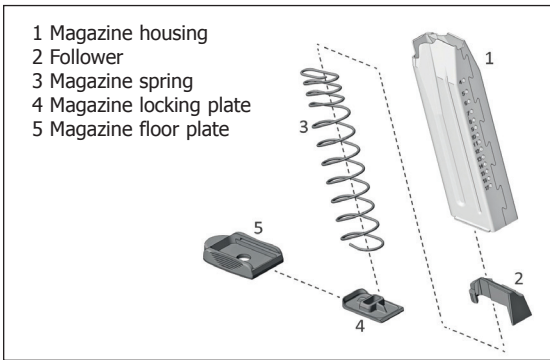


Figure 37 – Assemble magazine

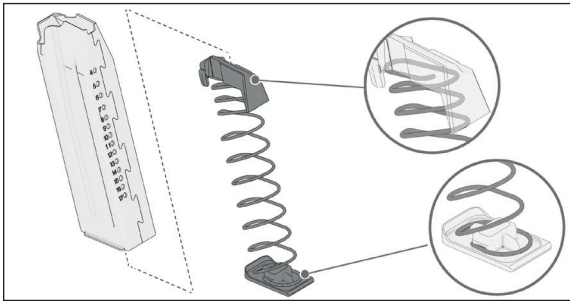


Figure 38 – Observe installation positions

4. Push in magazine locking plate and hold it (A) (Fig. 39).
5. Slide magazine floor plate onto magazine housing (B) from the front until the magazine locking plate engages in the magazine floor plate (Fig. 39). An audible click should be heard.

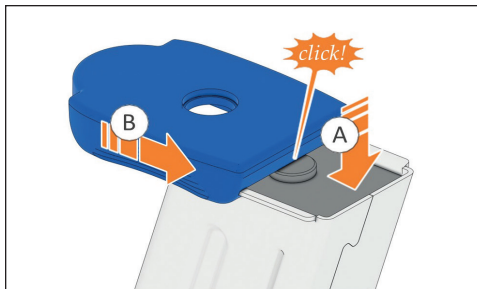


Figure 39 – Insert magazine floor plate

After assembling the magazine, check to make sure that it is properly assembled by ensuring that the follower slides up and down freely within the magazine housing and with spring force. Also check that the magazine follower rises within the magazine housing to be nearly flush against the bottom of the magazine feed lips. Repeat disassembly and assembly if needed.

VP9A1-B PUSH BUTTON MAGAZINE RELEASE

VP push button models are available in limited production. Functions and maintenance for the VP push button models are essentially the same as standard VP series pistols.



Figure 40 – VP9A1 model (VP9A1-B) with Push Button Magazine Release

Push button magazine release

In addition to the conventional, ambidextrous HK paddle magazine release (located on the rear portion of the trigger guard), models of the VP9A1 Series are now available with a reversible push button magazine release. Both options allow for fast and easy manipulation of the magazine release by fingers and thumbs. Both the paddle release and push button models also use the same, standard magazines.

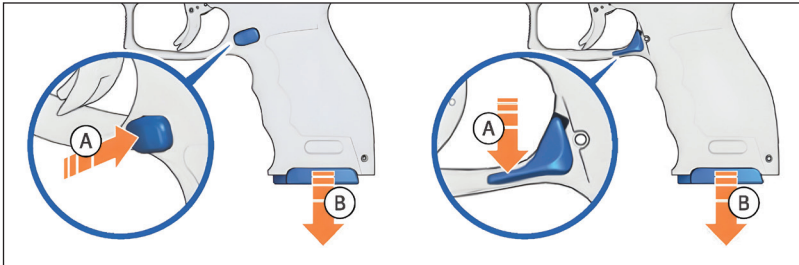


Figure 41 – (Left) Push Button Magazine Release (Right) Paddle Magazine Release

⚠ CAUTION The paddle magazine release and the reversible push button are model specific. An HK VP handgun with a paddle magazine release cannot be converted to a push button magazine release. The push button magazine release model cannot be converted to a paddle magazine release. This determination must be made at time of purchase, as the two models are not convertible.

The push button magazine release is normally mounted on the left side of the pistol frame, but it can be switched to the right side with the use of simple tools.

Swapping the push button magazine release

Required tools: Disassembly tool, punch or pen.

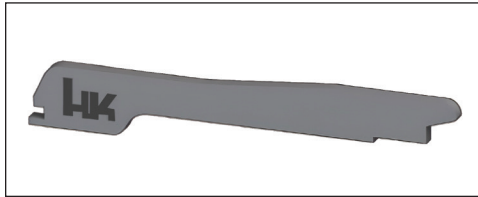


Figure 42 – Disassembly tool for push button (Part number 253579)

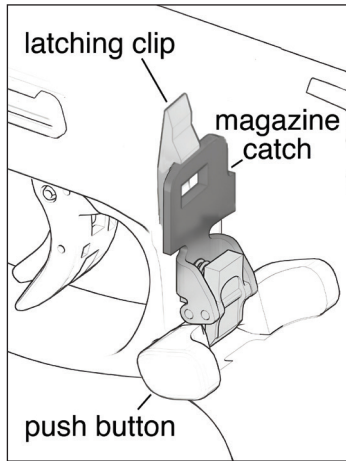


Figure 43 – Diagram of Push Button Parts

DISASSEMBLY

⚠ WARNING Ensure the pistol is clear before disassembly.

1. Disassemble the pistol. (Follow the instructions and warnings in Section 5 above, "Disassembly").
2. In case of weapons with pin for magazine catch: Drive out pin with a \varnothing 1.8 mm pin punch (Figure 44).



Figure 44 – Drive out pin

3. Push the latching clip in the pistol grip frame forward with disassembly tool (Figure 45).
4. With the latching clip held forward, place the disassembly tool in the rectangular cutout (detent) in the magazine catch and push upward slightly (Figure 45). This action releases the push button and allows it to be removed and reversed.

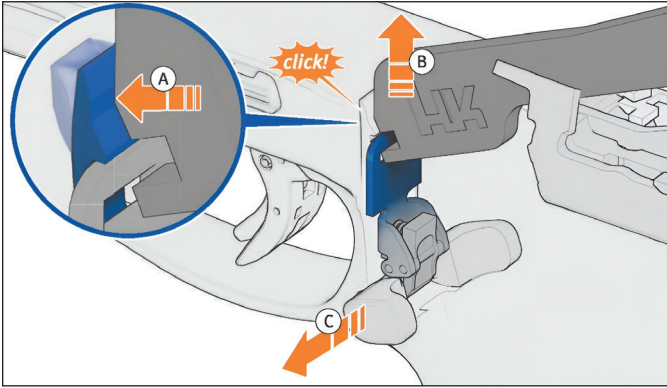


Figure 45 – Remove push button

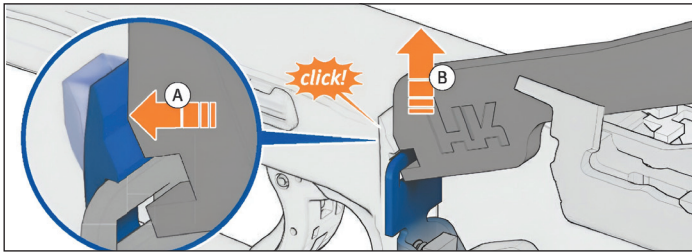


Figure 46 – Convert push button

5. Remove the push button by sliding it out of the pistol grip frame (Figure 46).
6. Position (convert) the push button as desired (textured button component on the left of frame for right-handed shooters, textured button component on the right of the frame for left-handed shooter).

REASSEMBLY

1. Ensure the push button is properly positioned.
2. Press the latching clip forward and then push the magazine catch downward until it engages; tools may not be necessary.
3. When the magazine catch is pushed downwards and engages the latching clip, there may be an audible click (Figure 47). Check to ensure the components are properly positioned.
5. Reinstall the magazine catch pin.
4. Re-assemble the pistol and test the action. Check to ensure the push button magazine release is working properly by inserting and releasing an empty magazine.

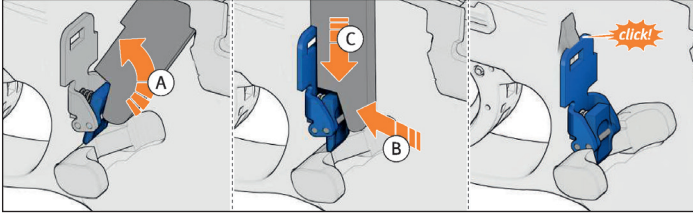


Figure 47 – Push button magazine release components properly reassembled.

CLEANING

▲WARNING ALWAYS be sure that the barrel of your pistol is clear of obstructions before firing. If any obstruction is found, remove it – including any excess lubricants – before firing so that your pistol will function safely and correctly. Any obstruction in the barrel could prevent the pistol from firing properly and result in death or serious personal injury, and/or damage to the pistol.

▲WARNING The firearm is not EMPTY or unloaded until the magazine is removed and the chamber is CLEAR. It is possible that a cartridge may be in the chamber when a magazine is being removed from or inserted into your pistol. A cartridge in the chamber will discharge when the trigger is pulled, whether or not a magazine is in your pistol. NEVER leave your pistol unattended, even when the magazine is removed. You must ALWAYS verify that the chamber is empty before disassembling your pistol for cleaning or any other purpose.

▲WARNING ALWAYS wear safety glasses when cleaning your pistol to protect your eyes from cleaning solutions and components, such as springs, which are under pressure and could cause injury. Eye protection should, at a minimum, provide impact protection with side panels and meet ANSI standard Z87.1. Exercise caution if using compressed air.

▲WARNING ALWAYS ensure that no ammunition is in the area where you clean your pistol. Lubricants can affect the primer and powder in ammunition and cause it to malfunction. This could result in failure to fire, or in a bullet being pushed into the barrel of your pistol and becoming stuck, which could cause the barrel to burst and result in death or serious injury, in addition to damaging the pistol.

▲WARNING Do not alter any of the parts or components of the pistol or magazine, e.g., do not attempt to “improve” or make the pistol “better” by altering parts or components. Altering any parts or components of the pistol or magazine may cause serious injury or death, damage to the pistol, or other damage to property, and voids its warranty.

▲WARNING As with any semi-automatic pistol, your VP9A1 should be disassembled into its major components every time it is cleaned. Failing to do so, by merely locking the slide to the rear and inserting the cleaning rod from the muzzle, can cause dirt, oil, and lubricant to build up inside the pistol causing malfunctions.

▲WARNING Do not use a steel bore brush which can scratch the polygonal bore and reduce accuracy.

▲WARNING Use of ultrasonic cleaning machines can result in the unwanted removal of colored reference markings of the frame assembly, extractor and control lever (where applicable). Use of ultrasonic cleaning is normally not necessary or recommended when using standard ammunition in HK pistols. All components should be thoroughly dried after being coated in cleaning solutions of any kind before reassembly and all the firearm critical components should be lubricated in accordance with the applicable operator/maintenance instructions after being thoroughly dried.

Materials Required - At a minimum, HK recommends the following materials to properly clean a VP9A1 Series pistol:

- Cleaning rod with handle and patch holder
- Nylon toothbrush
- Bronze bristle bore brush (9 mm)
- Cleaning patches
- Lint-free wiping rag
- Cleaning solution/lubricant
- Cotton swabs

Handgun cleaning kits are available from HK for thorough cleaning of pistols and other firearms. Visit the HK-USA web shop or contact HK Customer Service at 706-701-5554 or by email at cs@heckler-koch-us.com.

Cleaning Intervals - Normal and Major are the two types of operator cleaning for the VP9A1 pistol.

Normal Cleaning - Performed after each firing or every twelve (12) months, whichever comes first.

Major Cleaning - Often referred to as "detailed cleaning." Performed after the firing of 600 cartridges or when the pistol is exposed to, or contaminated with:

- Sand
- Dust
- Water (especially saltwater)
- Other visible contaminants or foreign matter.

Normal Cleaning

Slide

- Gently scrub all internal surfaces of the slide using the nylon toothbrush moistened with cleaning solution.
- Remove all loose fouling from all surfaces of the slide using a rag and cotton swabs.

Recoil spring assembly

- Remove all visible fouling using cleaning solution, a nylon toothbrush or a rag and cotton swabs.

Barrel

- Moisten a bronze bore brush with cleaning solution and scrub the bore from the chamber to the muzzle with at least six (6) passes, back and forth.
- Remove the loose fouling from the bore using cleaning patches.
- Gently scrub the exterior of the barrel and locking block with the nylon toothbrush moistened with cleaning solution.
- Remove all loose fouling from the exterior of the barrel using a rag and cotton swabs.

Frame Assembly

- Gently scrub surfaces where carbon fouling is present using the nylon toothbrush moistened with cleaning solution. Concentrate on the area normally covered by the slide and the unlock block area that interfaces with the barrel.
- Remove all loose fouling from all areas of the frame assembly using a rag and cotton swabs.

Magazine

- Gently scrub the top of the magazine, concentrating on the follower and feed lips, using the nylon toothbrush moistened with cleaning solution.
- Remove all loose fouling from all surfaces of the magazine using a rag and cotton swabs.

Major Cleaning - Major Cleaning is the same as normal cleaning except that:

- The magazine is disassembled for cleaning, following the instructions and warnings in Section 5.
- All parts should be rinsed with or immersed in cleaning solution and thoroughly scrubbed with a nylon brush. The parts can then be dried using compressed air or with a rag and cotton swabs.

INSPECTION

During and after cleaning, visually inspect the pistol and its components for any irregularities that may cause problems or stoppages during operation. Generally, you should keep a watchful eye out for the discrepancies listed below. (See Function Check in Section 5)

Always CLEAR the pistol before conducting your inspection!

Check for:

- Damaged or missing parts
- Improper assembly or function
- Absence of free movement, where applicable
- Absence of spring force, where applicable
- Unaccustomed looseness
- Parts exhibiting signs of cracks, burrs, dents, or obvious signs of damage or stress
- Presence of stops or tactile clicks, where applicable
- Presence of corrosion or degradation of surface finish
- General overall cleanliness
- Presence of sufficient lubrication

LUBRICATION

The maintenance plan depicts routine tasks which must be conducted before or after firing, as well as after a certain number of rounds fired.

The following maintenance tasks are to be conducted according to the following table.

Symbols	Intervals
▲ = function check	V = before firing / use of the weapon
■ = cleaning / service point	N = after firing / use of the weapon
● = oil / lubrication point	

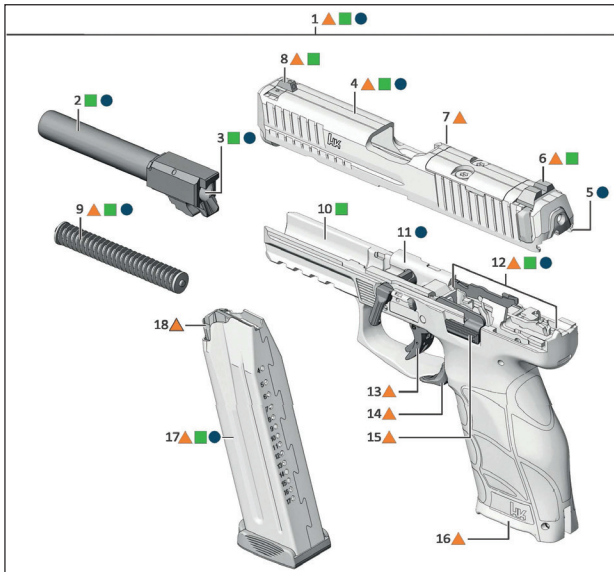


Figure 48 – Overview of maintenance points

Item	Designation	Check / activity	Auxiliary materials	Time of task
1	Weapon	▲ function	—	V, N
		■ clean	Cleaning kit	N
		● oil	Oil, QGL	N
2	Barrel	■ de-oil	Cleaning kit	V
		■ clean	Cleaning kit	N
		● oil	Oil, QGL	N
3	Chamber / bolt channel	■ de-oil	Cleaning kit	V
		■ clean	Cleaning kit	N
		● oil	Oil, QGL	N
4	Slide	▲ function	—	V
		■ clean	Cleaning rag	N
		● oil	Oil, QGL	N
5	Guideways on the slide	● oil	Oil, QGL	V
6	Rear sight	▲ condition	—	V
		■ clean	Cleaning rag	N
7	Extractor	▲ function	—	V
8	Front sight	▲ condition	—	V
		■ clean	Cleaning rag	N
9	Recoil spring	▲ function, condition	—	V
		■ clean	Cleaning rag	N
		● oil	Oil, QGL	N
10	Frame	■ clean	Cleaning rag	N
11	Guiderails on frame	● oil	Oil, QGL	N
12	Trigger / Trigger mechanism	▲ function	—	V
		■ clean	Cleaning rag	N
		● oil	Oil, QGL	N
13	Trigger safety	▲ function	—	V

- QGL - Quality gun lubricant

Item	Designation	Check / activity	Auxiliary materials	Time of task
14	Magazine catch	▲ function	—	V
15	Bolt catch/release	▲ function	—	V
16	Magazine well	▲ condition	—	V, N
17	Magazine, inside and outside	▲ condition	—	V, N
		■ clean	Cleaning rag (outside) Bottle cleaning brush (inside)	N
18	Follower Magazine spring	▲ free movement	—	V
		■ clean	Cleaning rag	N
—	Safety lever (if present)	function, locking ▲ into place	—	V
—	Accessories	▲ condition	—	V
		■ clean	Cleaning rag Brush, Oil, QGL	N

- QGL - Quality gun lubricant

STORAGE AND TRANSPORT

▲WARNING The firearm is not **EMPTY** or unloaded until the magazine is removed and the chamber is **CLEAR**. It is possible that a cartridge may be in the chamber when a magazine is being removed from or inserted into your pistol. A cartridge in the chamber will discharge when the trigger is pulled, whether or not a magazine is in your pistol. **NEVER** leave your pistol unattended, even when the magazine is removed. You must **ALWAYS** verify that the chamber is empty before disassembling your pistol for cleaning or any other purpose.

▲WARNING Firearms should be locked and stored unloaded, secured, and separately from ammunition in a suitable container out of the sight and reach of children and/or any unauthorized individuals.

▲WARNING **NEVER** store or transport ammunition in the same container as your pistol.

▲WARNING **NEVER** rely solely on a mechanical device or your memory to determine whether your pistol is loaded. **ALWAYS** remove the magazine, retract and lock the slide by pulling it fully to the rear and locking it open, and then visually and physically check with your finger to ensure there is not a cartridge in the chamber.

1. Store or transport the pistol and its components clean and lubricated.
2. Store and transport the pistol without cartridges in the chamber, magazine, or in the storage container with the magazine removed.
3. Store and transport the pistol with the slide in the forward (closed) position.
4. Clean and lubricate the pistol and its components at least every twelve (12) months during storage.
5. HK recommends storage in a climate controlled, room temperature environment.
6. Store the pistol and ammunition separately under lock and key.

TROUBLESHOOTING PROBLEMS AND REPAIR

Common causes of problems that are often overlooked include:

- Fouled or improperly lubricated pistol
- Bad ammunition
- Damaged magazines
- Operator error

SECTION 7 WARRANTY

WARRANTY REGISTRATION

New HK firearms are covered by Heckler & Koch, Inc.'s Limited Lifetime Warranty. Warranty registration is now online. To register your new HK firearm, go to: <https://hk-usa.com/warranty/registration/>

If you do not have access to the Internet, contact Heckler & Koch, Inc. to obtain a warranty registration form:

HK Customer Service
5675 Transport Boulevard
Columbus, GA 31907
Telephone: 706-701-5554.
Email: cs@heckler-koch-us.com

HECKLER & KOCH, INC. LIMITED LIFETIME WARRANTY

All new Heckler & Koch, Inc. firearms purchased after January 1, 1998, are warranted to the original retail purchaser only for the lifetime of the said original retail purchaser. In the event that this original retail purchaser, at the time of the original purchase, shall donate this firearm to another person, the donee name must be submitted during the online warranty registration. Heckler & Koch, Inc. does not guarantee or warrant that any, all, or some donations or gifts are valid and compliant with all applicable laws, regulations, and ordinances. Heckler & Koch, Inc. is not responsible or liable in any way for a donation or gift that does not comply with applicable laws, regulations, and ordinances. It is the responsibility of the original retail purchaser and the donee or recipient to ensure that any such transfer complies with all applicable laws, regulations, and ordinances. Upon completion of the online warranty registration indicating the name of the said donee, this warranty shall be extended to the lifetime of the said donee. This warranty applies only if the firearm was imported into the United States and distributed by Heckler & Koch, Inc. to an authorized dealer.

What Will We Do?

Heckler & Koch Inc. will, at its option, repair or replace without charge any HK firearm that fails due to a defect in materials or workmanship. Parts and labor are included. Repairs are warranted for the duration of the warranty. If Heckler & Koch, Inc. replaces a firearm under this warranty; you will receive a new warranty. Heckler & Koch, Inc. will return your firearm to you shipping pre-paid.

How to Obtain Service:

Contact Heckler & Koch, Inc. via phone at 706-701-5554 or email at cs@heckler-koch-us.com for a Return Authorization Number before sending your firearm freight prepaid to Heckler & Koch, Inc. at the address listed below. No C.O.D. shipments will be accepted.

Only the existing Heckler & Koch, Inc. Service Center or any other authorized Heckler & Koch, Inc. Service Center that may be established by Heckler & Koch, Inc. shall be authorized to make warranty repairs.

Return the complete, unloaded firearm with a detailed description of the problem using Heckler & Koch, Inc.'s Return Form.

DO NOT send any live ammunition with the firearm. If you must send ammunition to us for proof purposes, be sure that it is sent separately from the firearm.

We strongly recommend that you complete the online warranty registration at <https://hk-usa.com/warranty/registration/> to establish eligibility for warranty service. If you do not return an acknowledgment of online warranty registration to Heckler & Koch, Inc., you are required to provide adequate proof of the date that you purchased your new HK firearm at the time you send your firearm to Heckler & Koch, Inc. for warranty service.

In the event that this firearm was given as a gift at the time of original purchase, the online warranty registration with the name of the donee must be provided to Heckler & Koch Inc., in order for the warranty to become effective.

Note: Non-warranty servicing must follow the same shipping procedures as stated above. HK firearms with a valid Return Authorization Number should be shipped to the following address in accordance with these instructions:

HKI
Attn: Service Department/RA# _____
5675 Transport Blvd.
Columbus, GA 31907

Any information gathered in connection with a Heckler & Koch Inc. lifetime limited warranty shall be used for that purpose and may be used for other legitimate business purposes of Heckler & Koch Inc. For further information, please review Heckler & Koch, Inc.'s Privacy Policy, located at <https://hk-usa.com/cookie-policy-us/>

What Is Not Covered?

This warranty does not cover defects or damage caused by: (1) unreasonable use; (2) failure to provide proper care or maintenance; (3) failure to comply with instructions in the operator's manual including improper installation of original Heckler & Koch Inc. parts by the owner or his agent; (4) normal wear and tear for the degree of use; (5) rust or corrosion; (6) obstructions in the barrels; (7) excessive use; and/or (8) finish on the bolt carrier assembly.

Heckler & Koch, Inc. reserves the right to determine what constitutes the unreasonable or excessive use of the firearm. All wooden parts and all accessories are excluded from warranty coverage.

This warranty does not cover any claims made by the second or subsequent owner of an HK firearm as stated above.

NOTICE Any unauthorized alteration or modification of the firearm or use of parts or components not originally made by Heckler & Koch, Inc. may void this warranty. Heckler & Koch, Inc. is not responsible for any claims involving this firearm that result from the use of faulty, nonstandard, remanufactured, or reloaded ammunition or ammunition not manufactured to NATO, CIP, and/or SAAMI specifications.

Under no circumstances shall Heckler & Koch, Inc. be responsible or liable for incidental or consequential damages with respect to loss of use, loss of business or profits, other economic loss or injury to property, whether as a result of breach of express or implied warranty, negligence or otherwise. This Limited Lifetime Warranty applies only to retail purchases by individuals through an authorized Heckler & Koch, Inc. dealer.

Residents of CALIFORNIA, CONNECTICUT, DISTRICT OF COLUMBIA, HAWAII, MARYLAND, MASSACHUSETTS, MICHIGAN, NEW JERSEY, NEW YORK, AND U.S. TERRITORIES.

Any work involving replacement of the receiver of a firearm requires that the firearm be returned to a licensed firearms dealer. A current, signed copy of the dealer's FFL will be required. Please provide contact information for the chosen dealer, if applicable.

NOTICE Customers in restrictive capacity states: **DO NOT ship high capacity magazines to Heckler & Koch Inc. They cannot be returned.**

Exclusions

This lifetime warranty explicitly excludes firearms purchased by the United States military, government institutions or agencies of the United States or any of its constituent states and territories, law enforcement agencies of the United States or any of its constituent states and territories, and/or security organizations located within the United States or any of its constituent states and territories. Firearms purchased by these entities and organizations for duty issue to their personnel and/or employees are covered by a one-year limited warranty against material defects and workmanship or as agreed upon in a valid contract.

This lifetime warranty also excludes rimfire .22LR firearms, and all suppressors, which are covered by a one-year warranty.

Some states do not allow the exclusion or limitation of incidental or consequential damages, so the above limitations or exclusions may not apply to you. This warranty gives you specific legal rights, and you may also have other rights, which vary from state to state. This limited warranty is the only express warranty by Heckler & Koch Inc.

Heckler & Koch Inc. does not authorize any dealer or any other person to vary the terms of this warranty or make any other express warranties.

Heckler & Koch, Inc. Lifetime Barrel Guarantee

Heckler & Koch, Inc. guarantees the serviceability of the bore of the barrels of all MR A4 Series rifles and pistols for the lifetime of the original consumer purchaser for individual use. This guarantee is based on barrels meeting standards on accuracy, velocity, and useability across the entire life of the A4 system. If at any time an A4 barrel fails to meet these standards, Heckler & Koch, Inc. will replace the barrel.



Where to Get Further Help

If you have questions concerning this warranty, please contact Heckler & Koch, Inc.'s Customer Service Department at:
5675 Transport Blvd.
Columbus, GA 31907
Telephone: 706-701-5554
Email: cs@heckler-koch-us.com

SECTION 8 YOUTH HANDGUN SAFETY NOTICE

YOUTH HANDGUN SAFETY NOTICE

1. The misuse of handguns is a leading contributor to juvenile violence and fatalities.
2. Safely storing and securing firearms away from children will help prevent the unlawful possession of handguns by juveniles, stop accidents, and save lives.
3. Federal law prohibits, except in certain limited circumstances, anyone under 18 years of age from knowingly possessing a handgun, or any person from selling, delivering, or otherwise transferring a handgun to a person under 18.
4. A knowing violation of the prohibition against selling, delivering, or otherwise transferring a handgun to a person under the age of 18 is, under certain circumstances, punishable by up to 10 years in prison.

FEDERAL LAW

The Gun Control Act of 1968, 18 U.S.C. Chapter 44, provides in pertinent part as follows:

18 U.S.C. §922(x)

1. It shall be unlawful for any person to sell, deliver, or otherwise transfer to a person who the transferor knows or has reasonable cause to believe is a juvenile –
 - A. a handgun; or
 - B. ammunition that is suitable for use only in a handgun.
2. It shall be unlawful for any person who is a juvenile to knowingly possess –
 - A. a handgun; or
 - B. ammunition that is suitable for use only in a handgun.
3. This subsection does not apply to –
 - A. a temporary transfer of a handgun or ammunition to a juvenile or to the possession or use of a handgun or ammunition by a juvenile if the handgun and ammunition are possessed and used by the juvenile –
 - i. in the course of employment, in the course of ranching or farming related to activities at the residence of the juvenile (or on property used for ranching or farming at which the juvenile, with the permission of the property owner or lessee, is performing activities related to the operation of the farm or ranch), target practice, hunting, or a course of instruction in the safe and lawful use of a handgun;
 - ii. with the prior written consent of the juvenile's parent or guardian who is not prohibited by Federal, State, or local law from possessing a firearm, except –
 - I. during transportation by the juvenile of an unloaded handgun in a locked container directly from the place of transfer to a place at which an activity described in clause (i) is to take place and transportation by the juvenile of that handgun, unloaded and in a locked container, directly from the place at which such an activity took place to the transferor; or
 - II. with respect to ranching or farming activities as described in clause (i), a juvenile may possess and use a handgun or ammunition with the prior written approval of the juvenile's parent or legal guardian and at the direction of an adult who is not prohibited by Federal, State or local law from possessing a firearm;

- iii. the juvenile has the prior written consent in the juvenile's possession at all times when a handgun is in the possession of the juvenile; and
- iv. in accordance with State and local law;

B. a juvenile who is a member of the Armed Forces of the United States or the National Guard who possesses or is armed with a handgun in the line of duty;

C. a transfer by inheritance of title (but not possession) of a handgun or ammunition to a juvenile; or

D. the possession of a handgun or ammunition by a juvenile taken in defense of the juvenile or other persons against an intruder into the residence of the juvenile or a residence in which the juvenile is an invited guest.

4. A handgun or ammunition, the possession of which is transferred to a juvenile in circumstances in which the transferor is not in violation of this subsection shall not be subject to permanent confiscation by the Government if its possession by the juvenile subsequently becomes unlawful because of the conduct of the juvenile, but shall be returned to the lawful owner when such handgun or ammunition is no longer required by the Government for the purposes of investigation or prosecution.

5. For purposes of this subsection, the term "juvenile" means a person who is less than 18 years of age.

6 A. In a prosecution of a violation of this subsection, the court shall require the presence of a juvenile defendant's parent or legal guardian at all proceedings.

B. The court may use the contempt power to enforce subparagraph (A).

C. The court may excuse attendance of a parent or legal guardian of a juvenile defendant at a proceeding in a prosecution of a violation of this subsection for good cause shown.

18 U.S.C. § 924(a)(6)

i. A juvenile who violates section 922(x) shall be fined under this title, imprisoned not more than 1 year, or both, except that a juvenile described in clause (ii) shall be

A sentenced to probation on appropriate conditions and shall not be incarcerated unless the juvenile fails to comply with a condition of probation.

ii. A juvenile is described in this clause if –

I. the offense of which the juvenile is charged is possession of a handgun or ammunition in violation of section 922(x)(2); and

II. the juvenile has not been convicted in any court of an offense (including an offense under section 922(x) or a similar State law, but not including any other offense consisting of conduct that if engaged in by an adult would not constitute an offense) or adjudicated as a juvenile delinquent for conduct that if engaged in by an adult would constitute an offense.

B. A person other than a juvenile who knowingly violates section 922(x) –

i. shall be fined under this title, imprisoned not more than 1 year, or both; and

ii. if the person sold, delivered, or otherwise transferred a handgun or ammunition to a juvenile knowing or having reasonable cause to know that the juvenile intended to carry or otherwise possess or discharge or otherwise use the handgun or ammunition in the commission of a crime of violence, shall be fined under this title, imprisoned not more than 10 years, or both.

SECTION 9 STATE REQUIRED SAFETY NOTICES

STATE REQUIRED SAFETY NOTICES

Certain states have laws requiring that specific warnings be provided with handguns sold in those states as a result of which safety warnings are included in this manual.

CALIFORNIA:



WARNING

"Firearms must be handled responsibly and securely stored to prevent access by children and other unauthorized users. California has strict laws pertaining to firearms, and you may be fined or imprisoned if you fail to comply with them. Visit the Web site of the California Attorney General at <https://oag.ca.gov/firearms> for information on firearm laws applicable to you and how you can comply.

Prevent child access by always keeping guns locked away and unloaded when not in use. If you keep a loaded firearm where a child obtains and improperly uses it, you may be fined or sent to prison.

If you or someone you know is contemplating suicide, please call the national suicide prevention lifeline at 1-800-273-TALK (8255)."



ADVERTENCIA

"Las armas de fuego deben manipularse de manera responsable y segura para evitar el acceso de niños y otros usuarios no autorizados. California tiene leyes estrictas relacionadas con armas de fuego, y usted puede ser multado o encarcelado si no las cumple. Visite la página web del Procurador General de California en <https://oag.ca.gov/firearms> para obtener información sobre las leyes de armas de fuego que le son aplicables y cómo puede cumplirlas.

Evite el acceso de niños manteniendo siempre las armas bloqueadas y descargadas cuando no estén en uso. Si mantiene un arma de fuego cargada donde un niño obtiene y la usa indebidamente, se le puede multar o enviar a prisión.

Si usted o alguien que conoce está pensando en suicidarse, llame a la línea nacional de prevención del suicidio al 1-800-273-TALK (8255)."

CONNECTICUT:

"UNLAWFUL STORAGE OF A LOADED FIREARM MAY RESULT IN IMPRISONMENT OR FINE."

FLORIDA:

"IT IS UNLAWFUL, AND PUNISHABLE BY IMPRISONMENT AND FINE, FOR ANY ADULT TO STORE OR LEAVE A FIREARM IN ANY PLACE WITHIN THE REACH OR EASY ACCESS OF A MINOR UNDER 18 YEARS OF AGE OR TO KNOWINGLY SELL OR OTHERWISE TRANSFER OWNERSHIP OR POSSESSION OF A FIREARM TO A MINOR OR A PERSON OF UNSOUND MIND."

MAINE:

"ENDANGERING THE WELFARE OF A CHILD IS A CRIME. IF YOU LEAVE A FIREARM AND AMMUNITION WITHIN EASY ACCESS OF A CHILD, YOU MAY BE SUBJECT TO FINE, IMPRISONMENT OR BOTH. KEEP FIREARMS AND AMMUNITION SEPARATE. KEEP FIREARMS AND AMMUNITION LOCKED UP. USE TRIGGER LOCKS."

MARYLAND:

"WARNING: Children can operate firearms which may cause death or serious injury. It is a crime to store or leave a loaded firearm in any location where an individual knew or should have known that an unsupervised minor would gain access to the firearm. Store your firearm responsibly!"

MASSACHUSETTS:

"WARNING FROM THE MASSACHUSETTS ATTORNEY GENERAL: This handgun is not equipped with a device that fully blocks use by unauthorized users. More than 200,000 firearms like this one are stolen from their owners every year in the United States. In addition, there are more than a thousand suicides each year by younger children and teenagers who get access to firearms. Hundreds more die from accidental discharge. It is likely that many more children sustain serious wounds or inflict such wounds accidentally on others. In order to limit the chance of such misuse, it is imperative that you keep this weapon locked in a secure place and take other steps necessary to limit the possibility of theft or accident. Failure to take reasonable preventive steps may result in innocent lives being lost, and in some circumstances may result in your liability for these deaths."

"IT IS UNLAWFUL TO STORE OR KEEP A FIREARM, RIFLE, SHOTGUN OR MACHINE GUN IN ANY PLACE UNLESS THAT WEAPON IS EQUIPPED WITH A TAMPER-RESISTANT SAFETY DEVICE OR IS STORED OR KEPT IN A SECURELY LOCKED CONTAINER."

NEW JERSEY:

"IT IS A CRIMINAL OFFENSE, PUNISHABLE BY A FINE AND IMPRISONMENT, FOR AN ADULT TO LEAVE A LOADED FIREARM WITHIN EASY ACCESS OF A MINOR."

NEW YORK CITY, NY:

"THE USE OF A LOCKING DEVICE OR SAFETY LOCK IS ONLY ONE ASPECT OF RESPONSIBLE WEAPON STORAGE. ALL WEAPONS SHOULD BE STORED UNLOADED AND LOCKED IN A LOCATION THAT IS BOTH SEPARATE FROM THEIR AMMUNITION AND INACCESSIBLE TO CHILDREN AND ANY OTHER UNAUTHORIZED PERSONS. NEW YORK CITY LAW PROHIBITS, WITH CERTAIN EXCEPTIONS, ANY PERSON FROM ACQUIRING MORE THAN ONE FIREARM, OR MORE THAN ONE RIFLE OR SHOTGUN, WITHIN A 90-DAY PERIOD."

NORTH CAROLINA:

"IT IS UNLAWFUL TO STORE OR LEAVE A FIREARM THAT CAN BE DISCHARGED IN A MANNER THAT A REASONABLE PERSON SHOULD KNOW IS ACCESSIBLE TO A MINOR."

"Any person who resides in the same premises as a minor, owns or possesses a firearm, and stores or leaves the firearm (i) in a condition that the firearm can be discharged and (ii) in a manner that the person knew or should have known that an unsupervised minor would be able to gain access to the firearm, is guilty of a Class 1 misdemeanor if a minor gains access to the firearm without the lawful permission of the minor's parents or a person having charge of the minor and the minor:

- (1) Possesses it in violation of G.S. 14-269.2(b);
- (2) Exhibits it in a public place in a careless, angry, or threatening manner;
- (3) Causes personal injury or death with it not in self-defense; or
- (4) Uses it in the commission of a crime."

TEXAS:

"IT IS UNLAWFUL TO STORE, TRANSPORT, OR ABANDON AN UNSECURED FIREARM IN A PLACE WHERE CHILDREN ARE LIKELY TO BE AND CAN OBTAIN ACCESS TO THE FIREARM."


WISCONSIN:


"IF YOU LEAVE A LOADED FIREARM WITHIN THE REACH OR EASY ACCESS OF A CHILD YOU MAY BE FINED OR IMPRISONED OR BOTH IF THE CHILD IMPROPERLY DISCHARGES, POSSESSES OR EXHIBITS THE FIREARM."


State laws and regulations concerning firearms change constantly. Please check with your State Attorney General's Office or State Police for additional laws and regulations regarding the storage and use of firearms in your state.

SECTION 10 REESE'S LAW SAFETY NOTICE

Packages with third party optic batteries, please refer to the original equipment manufacturer's (OEM) manual for more information.

⚠ WARNING	
<ul style="list-style-type: none">• INGESTION HAZARD: This product contains a button cell or coin battery.• DEATH or serious injury can occur if ingested.• A swallowed button cell or coin battery can cause Internal Chemical Burns in as little as 2 hours.• KEEP new and used batteries OUT OF REACH OF CHILDREN.• Seek immediate medical attention if a battery is suspected to be swallowed or inserted inside any part of the body.• Battery type CR1632.• Nominal Voltage: (3v).	

⚠ WARNING	
<ul style="list-style-type: none">• INGESTION HAZARD: This product contains a button cell or coin battery.• DEATH or serious injury can occur if ingested.• A swallowed button cell or coin battery can cause Internal Chemical Burns in as little as 2 hours.• KEEP new and used batteries OUT OF REACH OF CHILDREN.• Seek immediate medical attention if a battery is suspected to be swallowed or inserted inside any part of the body.• This product contains a non-replaceable battery.• Battery type ML1220.• Nominal Voltage: (3v).	

⚠ WARNING	
<ul style="list-style-type: none">• INGESTION HAZARD: This product contains a button cell or coin battery.• DEATH or serious injury can occur if ingested.• A swallowed button cell or coin battery can cause Internal Chemical Burns in as little as 2 hours.• KEEP new and used batteries OUT OF REACH OF CHILDREN.• Seek immediate medical attention if a battery is suspected to be swallowed or inserted inside any part of the body.	

VP9A1 PART NUMBERS

VP9A1 K PARTS LIST

- Barrel.....50257973
- Barrel tactical.....50249059
- Thread protector.....50252094
- Slide.....50259094

VP9A1 X PARTS LIST

- Barrel.....50257973
- Barrel tactical50249059
- Thread protector.....50252094
- Slide.....50259094

VP9A1 F PARTS LIST

- Barrel.....50257216
- Barrel tactical.....50244436
- Thread protector.....50252094
- Slide.....50259096

VP9A1 L PARTS LIST

- Barrel.....50249892
- Slide.....50249896

VP9A1 M PARTS LIST

- Barrel.....50249893
- Slide.....50249897

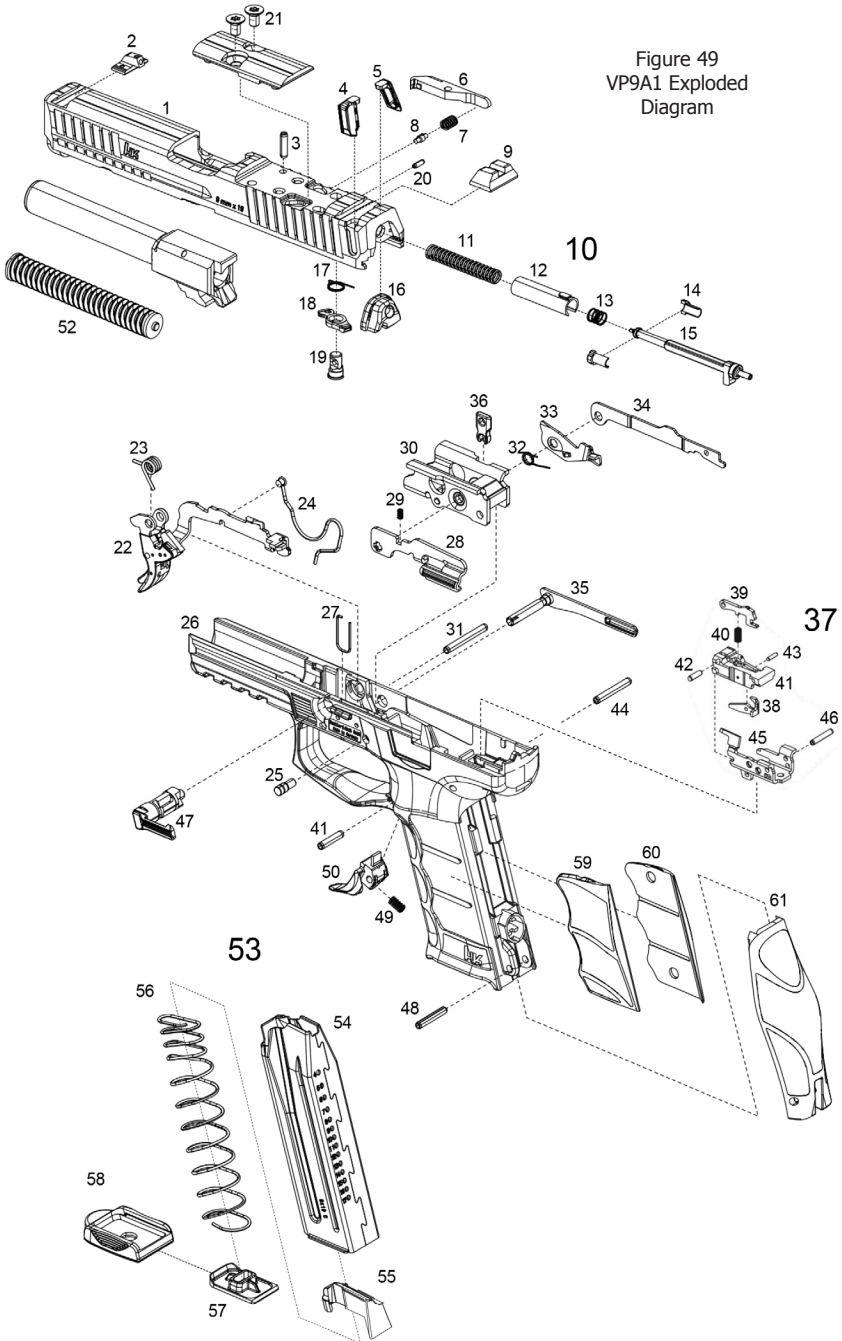
VP9A1 B UNIQUE PARTS LIST

- Push-Button M50250874
- Push-Button S.....50250873
- Push-Button L50250875
- Push-Button XL50250867
- Push-Button slide50250866
- Push-Button tool50253579

SECTION 11 VP9A1 PARTS LIST & EXPLODED VIEW

Item	Description	Part Number	Item	Description	Part Number
1	Slide Complete (Pos. 1 - 21).....		48	Clamping pin for the backstrap	50901662
2	Front Sight	51001043	49	Compression spring for magazine catch	239387
3	Tension pin for extractor	50901663	50	Magazine catch	50257824
4	Cocking aid L, left	239261	51	Clamping pin for magazine catch	50988891
5	Cocking aid L, right	239260	52	Recoil Spring	260506
6	Extractor	218314	53	Magazine Complete, VP9 10rd.....	50249833
7	Compression spring for extractor	50218315		Magazine Complete, VP9 15rd.....	50249898
8	Bushing	50209294		Magazine Complete, VP9 17rd.....	50259114
9	Rear Sight	51001054		Magazine Complete, VP9 20rd.....	50256715
10	Firing pin, complete. (Pos. 10 - 14)	50223516		Magazine Complete, VP9K 10rd.....	50249835
11	Striker spring	50239354		Magazine Complete, VP9K 15rd.....	50259147
12	Support sleeve	50260488	54	Magazine Body, VP9 17rd.....	
13	Return spring for firing pin	50260487	55	Follower, VP9 17rd.....	50254240
14	Half panel spring bushing (2x)	50260489	56	Magazine Spring, VP9 17rd	50254238
15	Firing pin		57	Locking piece	254239
16	Firing pin closure plate	50260504	58	Floor plate	50259087
17	Firing pin safety spring	50260478	59	Grip panel S, left	260442
18	Firing pin safety	50226316		Grip panel M, left	260445
19	Axle for firing pin safety	50239863		Grip panel L, left	260449
20	Tension pin for axle	50901659	60	Grip panel S, right	260443
21	Optic plate screw (2x)	50255747		Grip panel M, right	260446
22	Trigger, complete	50259201		Grip panel L, right	260450
23	Trigger return spring	223565	61	Backstrap XS.(full size).....	257161
24	Shaped spring for trigger bar	50250852		Backstrap S..(full size).....	260441
25	Stop pin for trigger	260440		Backstrap M..(full size).....	260444
26	Frame.....			Backstrap L.(full size).....	260448
27	Snap-in spring for disassembly lever	260453		Backstrap M ext..(full size).....	260706
28	Slide stop lever, left	50239395		Backstrap L ext..(full size).....	260707
29	Compression spring for slide stop lever ...	260454		Backstrap XS.(compact size).....	236091
30	Locking block	260501		Backstrap S..(compact size).....	259004
31	Clamping pin for locking block	226312		Backstrap M..(compact size).....	257209
32	Takedown safety spring	260429		Backstrap L..(compact size).....	259005
33	Takedown safety	260430		Backstrap M ext..(compact size).....	236092
34	Disconnecter	223452		Backstrap L ext..(compact size).....	236093
35	Slide stop lever, right	50239708			
36	Safety clip	260436			
37	Trigger housing, complete (Pos. 38 - 46)	223436			
38	Sear release catch	50254721			
39	Sear	226317			
40	Sear spring	223129			
41	Trigger housing insert	223426			
42	Sear pin	973785			
43	Sear release catch pin	979581			
44	Tension pin for trigger housing	50900863			
45	Trigger housing	226373			
46	Trigger housing pin	50975715			
47	Disassembly lever	260427			

Figure 49
VP9A1 Exploded
Diagram





HKUSA51001321 - 052026

HECKLER & KOCH
5675 Transport Boulevard
Columbus, Georgia 31907
Tel: 706-701-5554
www.hk-usa.com



This product can expose you to chemicals including lead, which is known to the State of California to cause cancer and birth defects or other reproductive harm. For more information go to www.P65Warnings.ca.gov.