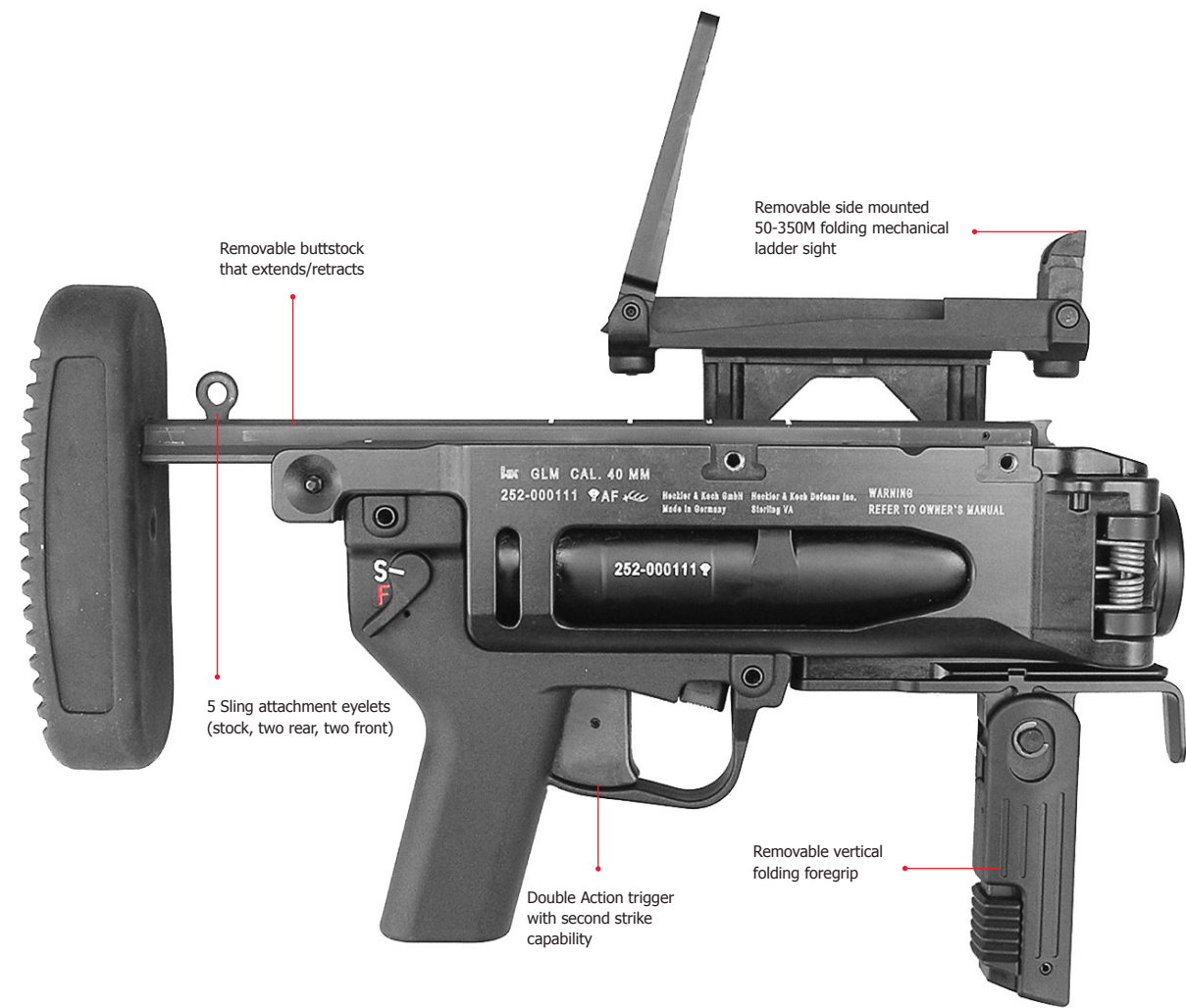




HK®

HECKLER & KOCH

GLM



HK's most adaptive launcher, the GLM (Grenade Launcher Module) provides versatile tactical employment. In service with the US military and many other NATO allies, it is a lightweight (less than four pounds), break action launcher, representing hard-use durability, and capable of firing a wide range of 40mm low velocity ammunition types, including CS, HE, and less than lethal.

Capable of being employed in stand-alone mode or, by removing the stock, can be mounted directly to a HK416 or HK417 in seconds, without tools, or to other rifle systems via optional mounting solutions. Whether utilizing the standard ladder sights or attaching an optic, the GLM is capable of providing area fire as well as point target fire with an incredibly high degree of accuracy.





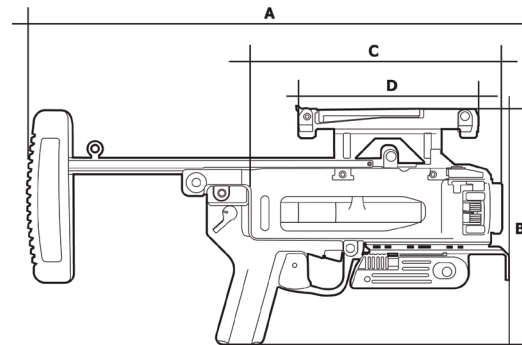
GLM GRENADE LAUNCHER MODULE

TECHNICAL DATA

Model	GLM - single-shot grenade launcher module
Caliber	40 x 46mm
Breach	Side opening, breech-loading, break-action barrel
Safety Selector	Ambidextrous
Trigger	Double Action, approx. 12 pounds / 60 N
Stock	Extending / collapsing (removeable)
Ladder Sight Radius	12.9 in - 22.6 in / 328 mm - 574 mm
Sights	6 in / 152 mm

DIMENSIONS

A - Overall Length	11 in - 20 in 279 mm - 508 mm
B - Height	6.4 in / 163 mm
C - Barrel length	8.5 in / 216 mm
D - Sight radius	6 in / 152 mm
Width	2.5 in - 4.1 in 64 mm - 104 mm
Weight	3.6 lb / 1632 g



Contact Your Law Enforcement Dealer - www.hk-usa.com/lawenforcement/le-dealers/

