



PRODUCT CATALOG



HECKLER & KOCH

VP9 9 MM X 19

Military/Law Enforcement/Civilian

PISTOLS

In development for more than four years, the VP9 is Heckler & Koch's latest handgun and the first striker-fired HK since the renowned P7 series pistols were introduced in the 1980s.

Experience gained by HK engineers with the recent P30 pistol had a direct influence on the design of the VP9, but the VP9 breaks new ground with its integration of a unique striker firing system with an enhanced HK "light pull" trigger. The net result is trigger quality unequaled in any production striker fired handgun.

HK pioneered the first striker fired handguns, producing both the VP70 and P7 series, designs that impacted several models by HK competitors. But a superior trigger has eluded most striker fired pistol designs.

The VP9 trigger surpasses those found on competitors. It has a short, light take-up with a solid, single action type break followed by a short positive reset.

The VP9 trigger has a consistent pre-travel pull with a positive wall/crisp break. Typically, striker fired guns have a pre-travel pull that increases in weight as you go through the trigger stroke. With the VP9, you have a less than noticeable pre-travel pull until the trigger reaches the engagement point of the fire control parts prior to trigger break.

The VP9 uses HK's ergonomic handgun grip design that includes three changeable backstraps and six side panels — accommodating all hand sizes. Molded finger grooves in the front of the pistol's grip also instinctively position an operator's hand for optimal shooting. Only HK handguns have such a customized grip.

Although influenced by other HK models, the VP9 has all the hallmarks of the latest, state-of-the-art handgun. All controls are completely ambidextrous. Slide releases are present on both sides of the frame and the magazine release can be easily activated by left- or right-handed shooters.

A new feature is HK's patented charging supports — simple components that are mounted on each side of the rear of the slide and provide better gripping leverage for racking the slide rearward. The charging supports speed reloading and make operating the VP9 easier for shooters with reduced hand strength. The VP pistols uses the proven P30 steel magazine; 15 and 10-round capacity available.

The VP9 has an extended Picatinny MIL-STD-1913 rail molded into its polymer frame for mounting lights and accessories. The rail has been tested and certified to handle mounted accessories up to 5.6 ounces.

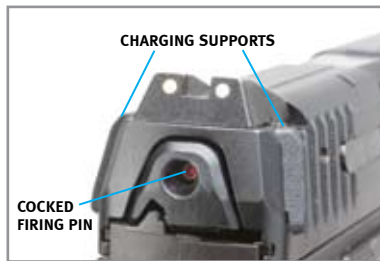
The VP9's proprietary captive flat recoil spring helps reduce the recoil forces effecting the operator and the handgun, improving shooter control during rapid firing and prolonging component service life.

HK's famous cold hammer forged barrel — made from cannon grade steel — ensures long service life. Similar HK barrels on 9 mm P30 models have fired more than 90,000 rounds in endurance tests in 2010. The polygonal bore profile, with no traditional lands-and-grooves rifling, contributes to longer service life as well as a slight increase in muzzle velocity.

The VP9's machined steel slide is protected from corrosion and wear by HK's hostile environment finish and all metal components, including springs and pins have superior metallurgy.

VP pistols are made in Heckler & Koch's Oberndorf factory in southwest Germany. The VP9 is well-suited for law enforcement, military, and civilian users.

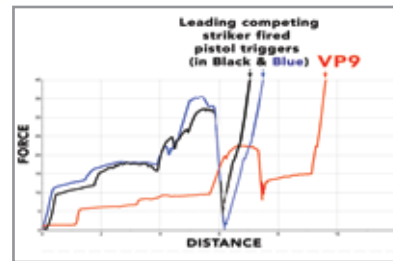
The HK VP9 is a solid design engineered with the famous long-term durability that make HK products especially cost-effective when subjected to total life cycle cost analysis. And the VP9 is remarkably value priced.



Patented HK Charging Supports help facilitate smoother and easier manipulation of the slide during clearing or reloading. The rear of the striker is colored red and serves as a cocking indicator.



Simple and easy disassembly with the new HK takedown lever. For optimal safe handling, VP pistols cannot be disassembled with a magazine in the magazine well—and the trigger doesn't need to be pulled to remove the slide.



VP9 trigger compared to triggers on leading competing striker fired pistols. The HK VP9 trigger tested lighter than the two most major models.



The VP9 retains HK's well-earned reputation for handgun accuracy, (HK test target, 5 shots at 25 yards).



VP9 shown with accessory light. The VP9's extended MIL-STD-1913 rail with four segments is rated to accommodate a 5.6 ounces / 160 grams load for accessory light, lasers, and aimers with no impact on performance.



VP9 shown with accessory light. The VP9's extended MIL-STD-1913 rail with four segments is rated to accommodate a 5.6 ounces / 160 grams load for accessory light, lasers, and aimers with no impact on performance.



The VP9 uses striker fired ignition and a modified Browning operating system combined with an optimal "light pull" trigger control system — it is in essence a premium HK P30 frame mated to an advanced striker fired slide design. Advanced metallurgical and polymer materials include proprietary HK steel for barrel, slide, springs, pins, and other internal components. The VP9 polyamide (polymer) frame is corrosion proof.



Combination of 3 interchangeable backstraps and 6 grip panels allow custom fit for all shooters. 27 unique, custom-fitted grip combinations are possible for VP9 pistols.



The VP9 can be easily field stripped and disassembled without the need to pull the trigger prior to removing the slide. A low maintenance design, the VP9 has a service life of many tens of thousands of rounds.

P30 9 MM X 19 / .40 S&W

Recent HK pistol designs, the P30 and P30L (Long Slide) are modern police and security pistols that combine function and safety. Ergonomic features include a special frame with interchangeable backstraps and lateral grip panels, allowing the pistol to be individually adapted to any user. Multiple trigger firing modes include HK's enhanced double action only "Law Enforcement Modification (LEM)" as well as conventional double action/single action with a serrated decocking button located on the rear of the frame. Other ambidextrous controls include dual slide and magazine release levers. All P30 pistols feature an automatic hammer safety and firing pin safety.

A Picatinny rail molded into the front of the frame makes mounting lights, laser aimers, or other accessories easy and convenient. Extensively tested, the P30 Series have already been adopted by several police agencies in Europe and North America. During an independent torture test in 2010, one randomly selected P30 fired more than 90,000 rounds. Excellent weight and balance make all the P30 series pistols naturally pointable, easy to control, and accurate to shoot. The P30 and P30L are both available in 9 mm and .40 S&W, "S models" (P30S and P30LS) have ambidextrous safeties.

P30: Models in caliber 9 mm x 19 or .40 S&W with short slide/barrel and no external safety. Currently available in following variant and trigger systems: V1 "Light" LEM (Law Enforcement Modification - light trigger pull), V3 DA/SA (Double Action/Single Action)



P30S: Models in caliber 9 mm x 19 or .40 S&W with short slide/barrel and ambidextrous external safety levers. Available in following variant/trigger system: V3 DA/SA (Double Action/Single Action).



P30L: Model in caliber 9 mm x 19 or .40 S&W with lengthened slide/barrel. Available in following variants and trigger systems: V1 "Light" LEM (Law Enforcement Modification - light trigger pull), V2 LEM (Law Enforcement Modification), and V3 DA/SA (Double Action/Single Action).



P30LS: Models in caliber 9 mm x 19 or .40 S&W with lengthened slide/barrel and ambidextrous external safety levers. Available in following variant/trigger system: V3 DA/SA (Double Action/Single Action).



Military/Law Enforcement/Civilian



P30 LEM

Cold-hammered barrel ensures long service life and outstanding shooting accuracy. Polygonal bore profile for increased velocity, easier cleaning, and longer barrel life.

All HK pistol slides are made from high-strength steel with carbon-nitride "hostile environment" finish.

Law Enforcement Modification (LEM) enhanced double action only model has spurless hammer, its V1 "light" LEM trigger pull is approximately 5.4 pounds.

Large recurved trigger guard allows shooting when wearing gloves.

Ambidextrous magazine release is easily operated using your thumb or index finger without changing the grip position.

P30 series pistols use metal magazine for optimal reliable feeding. Capacity: 9 mm = 15 rounds, .40 S&W = 13 rounds. 10 round magazines available for both calibers.



TESTED ENDURANCE
One randomly picked P30 9 mm sample fired 91,322 rounds in a 2010 reliability trial conducted by the independent firearms consultancy "pistol-training.com."

NOTE: Law enforcement & government models of all HK pistols include tritium night sights, three magazines and are available to civilian shooters.



PISTOLS



P30L **P30**

P30L identical to standard P30 but with 1/2 inch longer slide, barrel, and sight radius.

Decocking lever for conventional double action/single action (DA/SA) models.

MIL-STD-1913 "Picatinny" rail for easy installation of weapon lights, lasers, and other accessories.

P30 V3 DA/SA

Interchangeable backstraps allow custom fit for all shooters. Medium, small, and large backstraps are standard with each pistol.

Combination of 3 interchangeable backstraps and 6 grip panels allow custom fit for all shooters. 27 unique grip combinations are possible.



P30LS V3 DA/SA

P30 and P30L pistols have Non-radioactive luminescent three dots sights for fast target acquisition. Accessory night sights also available.

P30 and P30L "S" models have ambidextrous safety levers and a separate decocking button. Safety lever can be used to carry the pistol "cocked and locked."

Decocking lever for double action/single action (DA/SA)

Conventional double action/single action (DA/SA) with a centrally located decocking button and hammer with spur.

HK ergonomic grip profile is designed to conform to hand anatomy for better control and conform.

Grip panels (lateral plates) for custom fit. Complete set are standard with all P30 models.

Law Enforcement Modification (LEM) enhanced double action has hammer without spur.

P30/P30S/P30L/P30LS/P30SK/P30SKS TRIGGER FIRING MODE AND SAFETY SYSTEMS CHARACTERISTICS

Variants	Trigger system ¹	Trigger pull (Pound-Force/Newtons approx.) ¹					Trigger travel (mm approx.) ¹		Safety ⁴	Hammer	
		LEM	SA	DA	SA ²	DA ²	with spur	without spur			
V1	LEM	5.4 / 24	-	-	-	14	A	no	yes		
V2	LEM	7.3 / 32.5	-	-	-	14	A	no	yes		
V3	DA/SA	-	5.4 / 24	11.5 / 51	7	14	A, D (S)	yes	no		

¹ LEM = Law Enforcement Modification (also known as CDA = Combat Defence Action) / ² SA = Single Action / ³ DA = Double Action (1 shot as specified, subsequent shots approximately 7 mm) / ⁴ A = Automatic hammer and drop safety catch / D = Decocking / (S) = Ambidextrous safety levers available. Same trigger modes available for P2000/P2000SK, but no V3 with ambidextrous safeties.

P30SK (SUBCOMPACT) 9 MM X 19

Military/Law Enforcement/Civilian

PISTOLS

LEM variants have a no-s snag bobbed hammer

3.27 inch (83 mm) cold hammer forged barrel

Large recurved trigger guard for use with gloved hands

P30SK LEM **NEW**

6 grip panels and 3 backstraps can be easily changed for a custom fit

Law Enforcement Modification (LEM) V1 uses an enhanced double action only firing mode with a light trigger pull

Interchangeable backstraps allow custom fit for all shooters. Medium, small, and large backstraps are standard with each pistol.

Abbreviated Picatinny rail for mounting lights and aimers

Ambidextrous magazine release

Non-radioactive luminescent three dots sights for fast target acquisition. Accessory night sights also available.

Changable grip panels

P30SK V3 DA/SA **NEW**

V3 Double Action/Single Action model has spurred hammer and decocking lever

HK ergonomic grip profile with finger contours for better control and conform while shooting

Short 3.27 inch (83 mm) barrel has polygonal profile and is made with proprietary cannon grade steel using the famous HK cold hammer forging process

P30SKS V3 DA/SA WITH SAFETY **NEW**

P30SKS has ambidextrous safety levers located on both sides of the frame

Safety lever

Ambidextrous slide releases are located on both sides of the frame

Enlarged, extended extractor also functions as a loaded chamber indicator

Decocking lever

Trigger has "optimal parabola" curve for comfort and ease of control

All P30SK variants come with a complete set of 3 interchangeable backstraps and 6 grip panels allowing users a custom fit with 27 unique grip combinations.



P30SK shown with accessory weapon light. The pistol's abbreviated MIL-STD-1913 rail accommodates many accessory lights, lasers, and aimers — including some designed for large frame pistols.

P30SK models
Overall length = 6.42 inches (163 mm)
Height = 4.57 inches (116 mm)

P30 models
Overall length = 7.12 inches (181 mm)
Height = 5.47 inches (138 mm)

P30L models
Overall length = 7.71 inches (196 mm)
Height = 5.47 inches (138 mm)

P30SK / P30 / P30L SIZE COMPARISON

The subcompact model of the renowned P30 handgun, P30SK (SubKompact) series has all of the sought-after characteristics of the larger frame P30 and P30L pistols but in a more concealable design.

The completely adjustable P30 grip feature — consisting of interchangeable backstraps and lateral grip panels — is replicated in the ultra-compact grip frame of the P30SK. This allows the pistol to be easily modified to fit to any individual user. And like its larger frame counterparts, the P30SK is available

in multiple trigger firing modes including HK's enhanced double action only "Law Enforcement Modification (LEM)." For the P30SK, the LEM trigger is configured with a "light strike V1" setup — requiring approximately 5.4 pounds-force to pull the trigger.

Other trigger modes include conventional double action/single action (DA/SA) with a serrated decocking button located on the rear of the frame. The DA/SA mode is available with and without dual ambidextrous manual safeties located on the left and right side of the frame. Other ambidextrous controls include dual slide

and magazine release levers. Like all P30 pistols, the P30SK features an automatic hammer safety and firing pin safety.

An abbreviated Picatinny rail molded into the front of the frame enables weapon lights, laser aimers, or other accessories to be easily mounted. All P30SK models have been extensively tested during a three year development process.

Despite their small size, P30SK subcompacts have excellent weight and balance making them naturally pointable, easy to control, and accurate to shoot; currently available in 9 mm.

HK45 & HK45 COMPACT .45 ACP

Military/Law Enforcement/Civilian

PISTOLS

The HK45 Series is one of Heckler & Koch's most up-to-date pistol lines and is available as both a full-size and compact model. The HK45 and HK45 Compact were developed as product improvements of the highly-regarded and ultra-reliable HK USP45 and USP45 Compact family of pistols that were introduced in the 1990s. Many user-inspired enhancements found on the HK45 and HK45 Compact are also present on several recent Heckler & Koch semi-automatic pistols, including the P30, P30L, P30SK, P2000, and P2000 SK. These features include changeable backstraps, improved Picatinny MIL-STD-1913 accessory rails, better ergonomics, and more ambidextrous controls.

The HK45 and HK45 Compact were originally developed as candidates for the Joint Combat Pistol (JCP) and Combat Pistol (CP) programs administered by the U.S. military in their search for a new service handgun. Well-suited for personal defense use, the HK45 and HK45C (Compact) are available in, or can be converted to, a wide variety of variants that use different trigger firing modes, including DA/SA (double action/single action) and DAO (double action only). The DAO mode uses the unique Heckler & Koch LEM (Law Enforcement Modification) firing system for an enhanced and improved double action trigger pull.

By using the modular approach to the internal components first pioneered by HK on the USP, the control lever function of the HK45 can be switched from the left to the right side of the pistol to accommodate left-handed shooters (additional parts required). Left and right mounted control levers provide safety and/or decocking functions as required and can be fitted to the pistol simply by changing parts. For true ambidextrous use, a control lever can also be mounted on both sides of the pistol if required. Extensively tested and operationally proven, the HK45 Series is a new paradigm for Heckler & Koch handgun design and manufacturing.

HK45 LEM

- Enlarged, heavy-duty extractor for reliability
- Special HK Hostile Environment finish, a polymer coated Tenifer treatment
- Polygonal bore for increased velocity, easier cleaning, and longer barrel life
- Contoured and radiused machined steel slide with forward slide grooves (front cocking serrations) and anti-glare longitudinal ribs (top)
- HK three dot sights
- MIL-SPEC 1913 Picatinny rail for installing lights and other accessories
- Changeable backstrap
- Ambidextrous controls include enlarged magazine release and dual slide releases.
- 10 round magazine with protective polymer floorplate
- HK45 V1
- The full-size frame model of the HK45 features an ergonomic grip with finger contours molded into the frame.
- An improved USP-style control lever, a combination safety and decocking lever, is frame mounted and quickly accessible. The HK45 control lever has a positive stop and returns to the "fire" position after decocking.
- HK45, HK45 Tactical, HK45 Compact, and HK45 Compact Tactical models are assembled in the USA from German and American made components.

MODULAR BACKSTRAPS
Each HK45 comes standard with an extra backstrap; medium and small interchangeable backstraps ensure an optimal fit for most shooter's hands and complement the ergonomic profile grip.

O-RING FOR ACCURACY
All HK45 series models have proprietary O-ring barrels for precise barrel-to-slide lockup and optimal accuracy. All HK45 models have barrels made using the famous HK cold-hammer forging process.

PICATINNY RAIL FOR ACCESSORIES
Integral MIL-STD-1913 (Picatinny) rail molded into the polymer frame dust cover for mounting lights, laser aimers, and other accessories. HK45 shown with SureFire weaponlight.

LIFETIME WARRANTY
ON ALL FIREARMS

HK45 COMPACT TACTICAL

- Choice of conventional double action/single action (with manual safe & decocking), enhanced double action only (LEM), and decock only
- Ambidextrous slide release levers present on all HK45 series models
- HK45 Compact models are functionally identical to the full size HK45 with a shorter barrel/slide and a shorter, "slim-line" grip.
- Tactical models have threaded barrels made by using Heckler & Koch's famous proprietary steel. Barrels have polygonal profile for long service life and are manufactured in Germany using HK's acclaimed cold hammer forging process. NOTE: Only high quality sound suppressors should be used with HK handguns, contact HK-USA customer service for more information.
- 10-round magazine with extended floorplate and sleeve is standard on the HK45 Compact Tactical.
- HK45 Tactical models come with high profile Tritium three-dot sights.
- All HK45 series pistols are assembled in the USA from German and American made components.
- 8-round magazine with a finger grip floorplate. 10-round magazines for HK45/HK45 Tactical also fit.
- All HK pistols with threaded barrels come standard with thread protectors
- HK45 Tactical models come with high profile Tritium three-dot sights.
- HK45 Tactical frames come in three color choices
- The HK45 Tactical polymer frame uses an ergonomic grip and is completely corrosion resistant.
- Choice of models with control lever functions. "Decock Only" model used by a component of the U.S. special operations forces.

HK45 TACTICAL MODELS WITH THREADED BARRELS AND COLORED FRAMES
For use with high quality sound suppressors, HK45 Tactical models have all the same features found on standard model HK45 pistols. Available in GREEN, TAN, and BLACK colored frames.

HK45 TACTICAL TAN FRAME

HK45 TACTICAL BLACK FRAME

HK45 TACTICALS WITH THREADED BARRELS & COLORED FRAMES
For use with high quality sound suppressors, HK45 Tactical models have all the same features found on standard model HK45 pistols plus threaded barrels and tritium night sights. Available in GREEN, TAN, and BLACK colored frames.

LIFETIME WARRANTY
ON ALL FIREARMS

LOCK-OUT SAFETY DEVICE
HK pistols feature the patented HK Lock-Out Safety Device. When engaged, it locks the handgun's action by blocking any movement of the hammer strut and slide. The handgun is locked and cannot fire until unlocked.

50,000 ROUNDS TORTURE TEST
In 2010, a randomly selected HK45 was subjected to a 50,000 round endurance test by pistol-training.com, an independent training service. Cleaned at 10,000 round intervals, the sample pistol survived the endurance test and is still being used.

HK45 / HK45 COMPACT .45 ACP (COLORED SLIDE / COLORED FRAME)

Military/Law Enforcement/Civilian

Contrasting black finish metal components including three dot sights

Durable Cerakote™ finish applied directly over the HK Hostile Environment coating for an especially hard-wearing covering

Sand color finish has low IR signature

Cerakote firearms coatings are MIL-SPEC and have been tested in salt spray and full emersion and have withstood beyond 3,000 hours in salt spray and hundreds of hours in full emersion testing.

Contrasting black finish metal components are protected by HK's proprietary Hostile Environment coating.

The Cerakote ceramic slide coating is the choice for marine environments and other environments subject to high humidity.

Nine convertible trigger modes

Replacable backstrap for custom fit

HK45 V1 SAND/SAND

NEW

Same ergonomic grip profile used on the frames of HK P30 series and VP9

Steel 10 round magazine with protective polymer floorplate

MADE IN USA

HK45 SAND/SAND COLORED SLIDE/COLORED FRAME LEFT SIDE VIEW

HK45 GREEN/GREEN COLORED SLIDE/COLORED FRAME RIGHT SIDE VIEW

HK45 V1 GREEN/GREEN

Picatinny rail for accessory lights and aimers

Variant 1 has control lever with SAFE, FIRE, and DECOCK

LIFETIME WARRANTY ON ALL FIREARMS

New special colored frame/colored slide variants of the HK45 joined the HK product line. The full size HK45 is one of Heckler & Koch's most notable pistol designs and was developed as a product improvement of the highly regarded and ultra reliable HK USP45 first introduced in the 1990s. A candidate for the U.S. military's Joint Combat Pistol (JCP) and Combat Pistol (CP) programs searching for a new service handgun, the HK45 has years of testing and operational use backing it. In addition to the normal features found on the HK45, the

colored frame /colored slide models have an attractive and durable Cerakote slide coating that is color matched to the polymer frame. Cerakote ceramic firearms coatings outperform other coatings and have been extensively tested by independent labs and the U.S. Military. Aside from corrosion protection, the HK Cerakote slide coating is abrasion resistant. HK metal parts that are not color coated, remain in an attractive contrasting black finish, protected by HK's proprietary "Hostile Enforcement" protective surface covering.

Well-suited for personal defense and a wide variety of security and civilian/commercial applications, these colored frame / colored slide models are available in, or can be converted to HK's nine different trigger firing modes. Manufactured at Heckler & Koch's Newington, New Hampshire facility, these HK45 models are covered by Heckler & Koch's lifetime warranty for civilian customers and are engineered with the famous long-term durability that make HK products especially cost-effective when subjected to total life cycle cost analysis.

With a slide finished with a Cerakote ceramic coating HK pistols have a high level of corrosion resistance.

O-ring barrel means better slide-to-barrel lockup for increased accuracy, a feature found on all HK45 and HK45 Compact models.

HK45 COMPACT .45 ACP GREEN/GREEN

NEW

Control lever with SAFE, FIRE, and DECOCKING function. Total of nine different firing modes including Double Action/Single Action (DA/SA), enhanced Double Action Only (DAO - Law Enforcement Modification), Single Action, Decocking Only available for the HK45 and HK45 Compact.

Sand color finish has low IR signature

8 round .45 ACP steel magazine with polymer floorplate with finger rest, also can use the 10 round HK45 magazine.

Cold hammer forged barrel made with HK proprietary steel means long service life of tens of thousands of rounds.

Functionally identical to full size HK45, the HK45 Compact has a shorter barrel and slide and a shorter "slim-line" pistol grip.

Sand color finish has low IR signature

Abbreviated Picatinny rail for mounting lights and accessory aimers.

Replacable backstrap for custom fit

HK45 COMPACT SAND/SAND COLORED SLIDE/COLORED FRAME RIGHT SIDE VIEW

HK45 COMPACT .45 ACP SAND/SAND

NEW

HK45 COMPACT GREEN/GREEN COLORED SLIDE/COLORED FRAME LEFT SIDE VIEW

HK45 and HK45 Compact models with Cerakoted slides and matching colored frames (SAND/SAND & GREEN/GREEN). Cerakote™ coatings give these pistols a durable, weather- and corrosion-proof, ceramic-based protective finish that resists scratching, chipping, and abrasion.

LIFETIME WARRANTY ON ALL FIREARMS

MADE IN USA

Special colored frame/colored slide variants of the HK45 Compact complete the HK45 product line. Like the full size HK45, the HK45 Compact is one of Heckler & Koch's most contemporary pistols designs and was developed as a product improvement of the highly regarded and ultra reliable HK USP45 Compact first introduced in the 1990s. The HK45 Compact was also one of the pistols developed to be a candidate for the Joint Combat Pistol (JCP) and Combat Pistol (CP) programs administered by the U.S. military in their search for a new service handgun. In addition to the normal features found on the HK45 Compact, the colored frame /colored slide models have an attractive and durable Cerakote slide coating that is color matched to the polymer frame. Cerakote ceramic firearms coatings outperform other coatings and have been extensively tested by independent labs and the U.S. Military. Aside from corrosion protection, the HK Cerakote slide coating is abrasion resistant. HK metal parts that are not color coated, remain in an attractive contrasting black finish, protected by HK's proprietary "Hostile Enforcement" protective surface covering. Well-suited for personal defense use and a wide variety of security and civilian/commercial applications, these colored frame /colored slide models are available in, or can be converted to, a wide variety of HK's different trigger firing modes. Small and powerful— and covered by Heckler & Koch's limited lifetime warranty for commercial/civilian customers, the HK45 Compact (colored frame/slide) is engineered with the famous long-term durability that make HK products especially cost-effective when subjected to total life cycle cost analysis.

P2000 & P2000 SK 9 MM X 19 / .40 S&W

Military/Law Enforcement/Civilian

PISTOLS

Building on the foundation of the Heckler & Koch USP handgun line, the P2000 and P2000 SK (Subcompact) incorporate features of the successful HK USP Compact pistol with more recent innovations of HK engineers.

A refinement of a design created for several European police agencies, the P2000 and P2000 SK are available with a traditional double-action/single-action trigger mode and the LEM (Law Enforcement Modification) trigger system first introduced by HK in 2001 on the USP Compact "LEM" model.

The Law Enforcement Modification trigger system combines the advantages of a cocked striker component (constant level of trigger pull from first to last round fired) with a double-action hammer system.

Using such an enhanced trigger system consolidates ease of use and safety into a convenient, innovative trigger operation—one that reduces the chance of unintended firing.

And in case of an ammunition-related failure to fire, all that is needed is an additional second or third squeeze of the trigger without the need of first pulling the slide back to recock the pistol.

The enhanced Law Enforcement Modification trigger system combines the reliability of a double action revolver trigger with the crisp trigger of a single action pistol.

On variants using the conventional double-action/single-action (DA/SA) mode of operation, an easy to access, ambidextrous decocking button is mounted on the left, rear portion of the frame.

It allows the shooter to safely lower the hammer from the cocked single-action position to the uncocked double-action position. The DA/SA variants of the P2000 and P2000 SK are readily identifiable by the presence of the serrated decocking button and spurred hammer.

A set of simple-to-install modular grip inserts allow all P2000/P2000 SK models to be custom-fitted to any shooter's hand.

An ambidextrous magazine release and dual slide release levers make handling P2000 Series pistols natural and easy for right and left-handed shooters alike. The addition of "industry standard" mounting rails to the P2000 and P2000 SK allows the widest variety of lights, aimers, and accessories to be added by sliding them onto the open rail system. The P2000 uses widely available, reliable USP Compact metal magazines. The same magazines fit the P2000 SK for added firepower. Available in .40 S&W and 9 mm.

Polygonal bore profile for increased velocity and easier cleaning. Cold-hammered barrel ensures long service life and outstanding shooting accuracy. Caliber .40 S&W model can be converted to .357 with quick and easy barrel replacement.

Ambidextrous slide release (located on both sides of the frame)

Low profile slide and slimline, compact dimensions

Modular grip panels options include extra large, large, medium (standard), and small to fit all sizes of hands

Law Enforcement Modification (LEM) model has bobbed, spurless hammer

Industry standard mounting rails allows a wide selection of accessories to be installed (see inset photo below)

P2000 LEM

Trigger pull on LEM models is 7.3-8.5 pounds. Trigger pull can be adjusted by an HK armorer to the 5.5 pound range (light LEM).

Ambidextrous magazine release lever

LAW ENFORCEMENT MODIFICATION (LEM) TRIGGER SYSTEM

Developed especially for a U.S. government agency, the Law Enforcement Modification (or LEM for short), is a unique trigger mechanism created specifically to improve the trigger performance and reduce the weight of the Double-Action Only (DAO) trigger pull in the P2000, P2000SK, P30, P30L, P30SK, USP, USP Compact, and HK45/HK45 Compact pistols. With this mechanism, HK pistols can be fired like a standard DAO semi-automatic pistol where every round is fired by simply pulling the trigger fully rearward with the hammer starting at the forward rest position. The design of the proprietary HK LEM system allows the weight of the DAO trigger pull to be reduced to a smooth and constant 7.5-8.5 pounds (standard LEM) because the two-part hammer is precocked every time the slide moves rearward. An even "lighter" LEM trigger is available on some HK pistol models.

GRIP PANELS

Exchangeable grip panels (back straps) accommodate a wide variety of hand sizes and shooting grips.



small



medium



large



extra large

Patented HK Lock-Out Safety device

Extended floorplate has a finger hook. The P2000 uses the same metal magazines as USP Compact.

Magazine capacity:
.40 S&W = 12 rounds
9 mm = 13 rounds
(10 round magazines also available)

Tactical light

Example of P2000 with mounted tactical light. Available as an accessory.

DA/SA models of the P2000 and P2000 SK have spurred hammers and serrated decocking buttons.

Large, robust extractor doubles as a loaded chamber indicator

Uses three dots sights first originated by Heckler & Koch on P7 pistols and now the industry standard. These robust sights are drift adjustable for windage; for elevation adjustable various height sight blades can be inserted.

No snag, bobbed hammer for effective concealment

"Variant 2" LEM (Law Enforcement Modification) enhanced double action trigger pull of 7.3 pounds. Also available in conventional double action/single action trigger mode with decocking button located on the back of the slide.

Exchangeable backstraps; P2000 SK comes with medium and large sizes

All P2000 and P2000 SK pistols have the HK patented Lock-Out Safety Device installed.

Together with the P30SK, the P2000SK are HK's smallest pistols. Available in full power .40 S&W and 9 mm x 19 chamberings, shown above with flat floorplate for optimal concealment.

P2000 SK LEM

HK paddle-style ambidextrous slide release levers

P2000 SK can also use high capacity USP Compact magazines (shown with accessory "X-Grip" magazine sleeve).

Ambidextrous slide release levers

An abbreviated pair of industry standard mounting rails allow lights, aimers, and other accessories to be installed by sliding them onto the open rail system.

P2000 SK DA/SA

Metal magazine with extended rubber-padded floorplate. P2000 SK magazine capacities: .40 S&W and .357 (9-rounds), 9 mm (10-rounds)



Choice of conventional DA/SA or LEM trigger mode on the P2000 and P2000 SK. Double action/single action variant of the P2000 and P2000 SK is readily identifiable by the presence of the serrated button and spurred hammer (left pistol, below). LEM (enhanced DAO) model appears on the right.



Three dot sights are standard on P2000 and P2000 SK models. Three dot sights were originally developed by HK in the 1970s and have proven their utility for quick target acquisition. Optional tritium sights are also available.

HK PISTOLS PASS THE TOUGHEST TEST

The P2000, P2000 SK, and the USP Compact LEM were subjected to the most punishing pistol evaluation to date by the Department of Homeland Security's Immigration and Customs Enforcement branch. The evaluation was performed with the most potent ammunition loads for three calibers (9 mm, .40 S&W and .357 SIG). After three million rounds were fired, HK finished ahead of five other competing manufacturers, earning a "Superior" technical rating. On August 20, 2004, HK was awarded the largest pistol contract in U.S. law enforcement history. Five months later, US Customs and Border Protection (CBP), the largest U.S. federal law enforcement agency, officially adopted the P2000 pistol in .40 S&W, replacing both legacy Glock 17s and Beretta 96Ds.

USP & USP COMPACT 9 MM X 19/.40 S&W/.45 ACP

Military/Law Enforcement/Civilian

The HK USP (Universal Self-loading Pistol) was the first Heckler & Koch pistol designed especially for American shooters. Features favored by the U.S. military, law enforcement agencies, and civilian users provided the design criteria for the USP. Its controls are uniquely American, influenced by such famous designs as the Model 1911 pistol.

The control lever, a combination safety and/or decocking lever, is frame mounted and quickly accessible, unlike the slide mounted safeties common on many semi-automatic pistols. Using a modified Browning-type action with a special patented recoil reduction system, the USP is built to take the punishment of the most powerful SAAMI specification loads. The recoil reduction system lessens recoil effects on pistol components and also lowers the recoil forces felt by the shooter. The USP recoil reduction system is insensitive to ammunition types and requires no special adjustment or maintenance. It functions effectively in all USP models.

By using a modular approach to the internal components, the control lever function of the USP can be switched from the left to the right side of the pistol for left-handed shooters. The USP can also be converted from one type of trigger firing mode to a variety of others. This includes combination double-action and single-action (DA/SA) modes with a manual safety and decocking function, double action only (DAO) modes, including the HK proprietary LEM (Law Enforcement Modification) enhanced trigger system, and even double action/single action modes with no manual safety, as well as single action modes. Such a modular system allows individual tailoring of safety and trigger mechanisms to suit any requirement and any shooter.

The USP is available in both full-size frame and compact models with nine trigger/firing mode configurations and three major calibers—.45 ACP, .40 S&W, and 9 mm. The first HK pistols covered by Heckler & Koch's Lifetime Warranty, USP and USP Compacts are truly universal pistols — simple to operate, easy to maintain, extremely reliable, and accurate.

Developed in parallel with the USP in the early 1990s, the HK Mark 23 was originally designed for the U.S. military's Special Operations Command. It has the unique distinction of being the only .45 ACP pistol to enter American military service since the venerable Model 1911A1.



USP/USP COMPACT TRIGGER FIRING MODE AND SAFETY SYSTEMS CHARACTERISTICS (ALSO HK45 & HK45 COMPACT)

Variants	Trigger system ¹	Trigger pull (pound-force/Newtons)		Trigger travel (mm approx.)		Control Lever/Safety ⁴
		SA	DA	SA ²	DA ³	
V1	DA/SA	4.5/20	11.2/50	7	14	S, D (L)
V2	DA/SA	4.5/20	11.2/50	7	14	S, D (R)
V3	DA/SA	4.5/20	11.2/50	7	14	D (L)
V4	DA/SA	4.5/20	11.2/50	7	14	D (R)
V5	DAO	—	11.2/50	—	14	S (L)
V6	DAO	—	11.2/50	—	14	S (R)
V7	LEM (enhanced DAO)	—	8 / 36	—	14	—
V9	DA/SA	4.5/20	11.2/50	7	14	S (L)
V10	DA/SA	4.5/20	11.2/50	7	14	S (R)

¹ DA = Double Action, SA = Single Action, DAO = Double Action Only / ² Single Action / ³ Double Action / ⁴ S = Safety, D = Decocking, (L) = Located on left, (R) = Located on right NOTE: Variant 8 is a U.S. government test variant and is essentially the same as V7.

MR762A1 7.62 MM X 51 NATO

Military/Law Enforcement/Civilian

Like its 5.56 mm counterpart, the MR762A1 is a direct descendant of the HK416/417 series, only in a semi-automatic rifle configuration developed for civilian users.

Using the HK-proprietary operating system, the MR762A1 is gas operated and uses a piston and a solid operating "pusher" rod in place of the common gas tube normally employed in AR15/M16/M4-style weapons.

Pioneered by Heckler & Koch in the G36, HK416, and HK417; this method virtually eliminates malfunctions common to direct impingement gas systems since hot carbon fouling and waste gases do not enter the receiver area. The MR762A1 stays cleaner, reducing heat transfer to the bolt and bolt carrier, and drastically reducing wear and tear on other critical components. The service

life of all parts is increased substantially.

The MR762A1 uses a barrel produced by Heckler & Koch's famous cold hammer forging process. This manufacturing process uses the highest quality steel, producing a barrel that ensures superior accuracy, even after firing thousands of rounds. The MR762A1 is produced at Heckler & Koch's American manufacturing facilities from both American and German-made components.

The MR762A1 uses many of the assemblies and accessories originally developed for the HK416/417 series including adjustable buttstocks, ergonomic pistol grips, mechanical sights, and the HK free-floating four-quadrant rail system handguard. This MIL-STD-1913 "Picatinny" type rail system allows all current

accessories, sights, lights, and aimers used on M4/M16-type weapons to be fitted to the MR series. The HK rail system can be removed without special tools by the user and ensures 100% return to zero when reinstalled.

Ambidextrous operating controls are standard on the MR762A1, including a convertible charging handle and an ambidextrous selector lever. The MR762A1 uses the same 10- and 20-round translucent polymer box magazines made for the HK417; a 5-round magazine is also under development.

MR762A1 rifles are well-suited for a variety of applications including law enforcement tactical, police patrol, and general sport shooting. For hunting use, low capacity magazines are available.



MR762A1 LRP II (LONG RIFLE PACKAGE II) 7.62 MM X 51 NATO

SEMI-AUTOMATIC RIFLES & CARBINES



The LRP includes a 20- and 10-round magazine — the same rugged magazines used on HK's current series of military and law enforcement 7.62 mm rifles and carbines



Taking an essentially standard MR762A1 (caliber 7.62 x 51 mm NATO) semi-automatic rifle, Heckler & Koch turns it into a more effective precision rifle by an astute addition of the right optics and accessories. This "MOD 2" variant adds a streamlined handguard and HK pistol grip for greater functionality.

A Leupold 3-9 x 40 mm VX-R Patrol scope and mount, HK G28 adjustable cheekpiece buttstock, and LaRue Tactical BRM-S bipod are the primary add-ons that make the MR762A1 Long Rifle Package (LRP) more than a sum of its parts.

A semi-automatic rifle originally developed from the fully automatic HK417, the MR762A1 LRP employs the same HK proprietary gas piston operating system found on current HK rifles and carbines, using a "pusher" rod in place of the gas tube normally found in AR15/M16/M4-style firearms.

This method of operation virtually eliminates malfunctions that are common to direct impingement gas systems since hot carbon fouling and waste gases do not enter the receiver area. This is the same key feature critical to the success of the current generation of HK rifles used by leading military and law enforcement customers.

The MR762A1 LRP uses a barrel produced by Heckler & Koch's famous cold hammer forging process. The highest quality steel is used in this manufacturing method, producing a long-life barrel that provides superior performance with minimal degradation of accuracy and muzzle velocity after prolonged use. The barrels are manufactured in Germany and finished in the USA.

The MR762A1 used in the "Long Rifle Package" is being produced with the same commitment to quality as German-made

HK firearms. By using joint American and German manufacturing, Heckler & Koch leverages the relative strengths of two continents to make the preeminent AR-type firearms, combining the design innovations of the USA and Germany into superior products.

Additional accessories in the Long Rifle Package include an OTIS cleaning kit, HK multi-tool, and the same Blue Force Gear sling used on the HK M27 IAR supplied to the USMC.

The rifle package, complete with one 20 and one 10-round magazine is shipped ready to use with the scope attached in a compact 42-inch Model 1720 Pelican case.

The MR762A1 LRP has all the features sought by civilian precision shooters as well as law enforcement organizations seeking a more basic and lighter weight alternative to the HK G28 series of precision rifles.

MR556A1 5.56 MM X 45 NATO



Like the HK416, the MR556A1 matches the performance and durability of its famous selective fire counterpart and is proven in all conditions... sand, mud, snow, and water.

For precision shooting, the six position, adjustable MR buttstock can be tightened and locked in place using an HK supplied tool. The HK adjustable buttstock has a storage compartment for extra batteries and other mission essential gear.



Equipped with rugged, adjustable TROY micro sights.

5.56 mm chamber

Shown with the new ergonomic profile MRS (Modular Rail System) handguard. MR Series rifles can use either the same Free Floating Rail System as the HK416/417 or the new MRS. Both ensure the barrel does not come in contact with the handguard and accuracy is unaffected by accessories mounted on the rails. Even after the these handguard are removed and reinstalled, no re-zeroing of sights is required.

The HK-proprietary gas piston operating system prevents propellant gases and carbon fouling from entering into the receiver area, increasing the reliability of the rifle. The same identical operating system is used on the selective fire HK416 and HK417.



Cutaway view of MR556A1/HK416 operating system. Like the HK416, a piston driven operating system is the key to the reliability of the MR556A1.

16.5 inch cold hammer forged barrel made of unlined cannon grade steel.

"HK416 geometry" magazine well for reliable function —works with a variety of magazines including aluminum U.S. MIL-SPEC and polymer EMAGs.

MR556A1
5.56 MM

MR Series rifles are assembled in the USA of German and American made components.

MADE IN USA

10, 20, and 30-round steel HK magazines available. A lightweight 30-round HK polymer magazine is also available.



The MR556A1 uses a wide assortment of accessories that fit the HK416 and other AR-type arms, including grips, buttstocks, sights, and magazines. To purchase HK accessories, visit www.hk-usa.com.

HK large palm swell target grip with storage compartment for optimum shooting. Other accessory HK pistol grips available for custom fit. MR rifles can also accommodate standard grips made for M16/M4/AR15 type rifles.

Ambidextrous safety/selector lever. Unlike other AR-style rifles, HK MRs can be placed on "SAFE" even when the rifle is uncocked.

A direct descendant of the HK416, the MR556A1 is a semi-automatic rifle developed by Heckler & Koch as a premium level commercial/civilian firearm with match rifle capability. Like the selective fire HK416, the MR556A1 is a major product improvement over conventional AR-type carbines and rifles.

The MR556A1 uses the HK proprietary gas piston operating system, employing a piston and a solid operating "pusher" rod in place of the gas tube normally found in AR15/M16/M4-style firearms.

This method of operation virtually eliminates malfunctions that are common to direct impingement gas systems since hot carbon fouling and waste gases do not enter the receiver area. This is the same key feature critical to the success of the HK416 rifles used by leading military and law enforcement customers.

The MR556A1 is assembled in the USA using American and German made components and uses many of the same assemblies and accessories originally developed for the HK416.

Used with the either the HK Modular Rail System (MRS) or the Free Floating Rail System (FFRS), the barrel does not touch the handguard, ensuring the barrel/handguard relationship is truly free-floating for maximum accuracy. The MRS handguard was added in 2015 and has many of the features found on the FFRS but with a more ergonomic design.

The HK Free Floating Rail System (FFRS) handguard has four MIL-STD-1913 Picatinny rails and allows all current accessories, sights, lights, and aimers used on M4/M16-type arms to be fitted to the MR Series. Both HK rail system handguards can be installed and removed with simple tools and return to zero when reinstalled.

The MR556A1 also has a Picatinny rail machined into the top of its upper receiver for mounting optics and mechanical sights. Unlike earlier prototypes, major subassemblies, including the MR556A1 upper receiver/barrel assembly, are fully interchangeable with other high quality AR-style firearms. MR556A1 upper receiver kits can be used to retrofit competing legacy AR systems.

Like the famous HK416, the MR556A1 uses a German-made barrel produced by Heckler & Koch's famous cold hammer forging process. The highest quality steel is used in this unique manufacturing process producing a barrel that provides superior accuracy and long service life.

But unlike the HK416, the MR556A1 does not use a chrome-lined barrel. Chrome-lining can sometimes mask bore imperfections and negatively affect accuracy. For the new series of Heckler & Koch semi-automatic MR rifles, HK designers and engineers believe best accuracy comes with an unlined bore.

The unchromed barrel has an internal profile of 6 lands and grooves with

a 1 in 7 inch (178 mm) twist. It is also moderately "swagged" with a slightly smaller internal diameter at the muzzle end than the chamber end. This feature has a positive effect on bullet accuracy and velocity. The thick, heavy contour 16.5-inch MR556A1 barrel also contributes to its excellent accuracy.

A precise, enhanced two-stage trigger adds significantly to the accuracy of the MR556A1 and an extended latch charging handle makes operating the rifle with a telescopic sight easier. The retractable buttstock can be locked into a solid, non-moving position by tightening an Allen screw in the bottom of the stock. Special target rifle takedown pins ensure the upper and lower receivers are firmly mated for accurate performance.

Designed to function with a wide variety of high quality 5.56 x 45 mm ammunition, the MR556A1 uses a C.I.P. dimensioned chamber (a chamber with dimensions specified by the Commission Internationale Permanente). The MR556A1 also functions reliably with most quality Caliber .223 Rem. ammunition.

The MR556A1 is being produced with the same commitment to quality as German-made HK firearms. By using joint U.S./German manufacturing, Heckler & Koch leverages the relative strengths of two continents to make the preeminent AR-type firearm, combining the designs innovations of the USA and Germany into one product.

Military/Law Enforcement/Civilian

MR556A1 COMPETITION MODEL 5.56 MM X 45 NATO

Using the HK MR556A1 as the platform to build a competitive rifle —and with input from many competitive shooters — the Heckler & Koch Competition Model was developed for both casual shooters and the most demanding competitor. Ideal for 3 gun matches — the Competition Model adds the most critical fundamental enhancements to the standard MR rifle.

Foremost among these additions are the new 14-inch Modular Rail System (MRS). Lightweight and easy to customize, the MRS allows sections of accessory rails to be added by the shooter where desired, but keeping weight down and presenting a more ergonomic and comfortable handguard surface when compared to rectangular full rail systems.

The extended length 14-inch MRS does not touch the barrel, preserving the "free-floating" barrel-to-handguard feature favored by competitive shooters and present in all MR rifles. An extended magazine release is also

included for quick magazine changes.

An innovative compensator by Operator Suppressor Systems Inc. (OSS) replaces the standard MR flash hider. OSS is a leader in the development and manufacturing of sound and flash suppression and uses technologies originated in those fields to create a unique and highly effective compensator.

The standard MR stock is replaced by a MAGPUL CTR buttstock; easy to adjust, the CTR stock moves smoothly on the receiver extension and locks securely in position. Profile and weight make this buttstock ideal for competitive shooters.

All other standard features of the MR556A1 are retained on the MR556A1 Competition model — including a German-made long service barrel produced by Heckler & Koch's famous cold hammer forging technology and

HK's famous piston operating system.

Found on HK arms like the G36 and HK416, this system uses a gas piston and pusher rod in place of the more common hollow gas tube normally employed in "direct impingement" AR-style rifles.

The HK system improves reliability and reduces operator cleaning and maintenance as literally no carbon fouling or propellant gases are directed back into the weapon beyond the gas cylinder located above the barrel.

The Competition model is being produced in the USA, using joint U.S./German manufacturing capabilities and components — combining the design innovations of the USA and Germany into a superior product.

And it's covered by the Heckler & Koch Lifetime Warranty.



HK extended latch charging handle makes operation with a scope easier

Integral quick detachable sling attachment point

Target rifle takedown pins keep the upper and lower receivers firmly mated together for maximum accuracy

Standard SW11 handguard screw for easy installation and removal

Lightweight, adjustable MAGPUL CTR (Compact/Type Restricted) buttstock is ideal for competition

Extended Arredondo magazine release button for fast and easy magazine changes

HK 30-round polymer magazine is light weight and durable. The MR556A1 magazine well accepts standard GI mags and most AR/M4/M16 magazines.

MADE IN USA

14 inch Modular Rail System (MRS) handguard

NEW

MR556A1
COMPETITION
5.56 MM

Barrel that holds its zero — moderately "swagged" cold hammer forged 16.5 inch barrel has a slightly smaller internal diameter at the muzzle end than the chamber end. This feature has a positive effect on bullet accuracy and velocity.

MADE IN USA

ADD UPPER RECEIVER KIT



IDEAL COMPETITION RIFLE blends the HK MR556A1's legendary reliability and accuracy with the improved ergonomics of a rounded contour long handguard, adjustable MAGPUL buttstock, high performance OSS compensator, and enlarged magazine release.



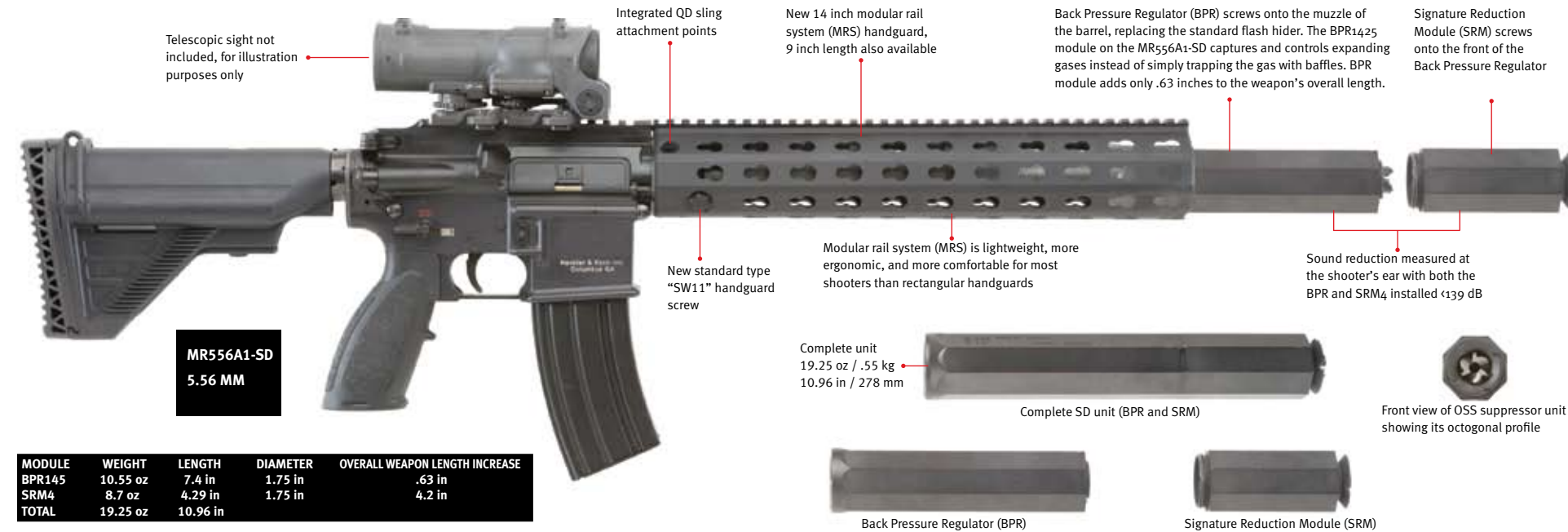
OSS Compensator

Precise standard two-stage MR556A1 trigger can be used or easily replaced by accessory trigger mechanism

Picatinny rail under receiver mounts all accessory optics. Scope not included, shown for illustration purposes only.

MAGPUL CTR buttstock (extended, adjustable for 5 positions)

MR556A1-SD (SUPPRESSOR SYSTEM) 5.56 MM X 45 NATO

Military/Law Enforcement


The MR556A1-SD is a complete sound suppressed weapon system that consists of a semi-automatic Heckler & Koch 5.56 mm rifle mated with an advanced suppressor from Operators Suppressor Systems Inc. (OSS).

HK's distinctive new Modular Rail System (MRS) encases much of the suppressor system's components — which extends parallel to (and surrounds) the rifle barrel, minimizing overall length of the weapon with the suppressor attached.

Developed by a joint team of OSS and HK engineers, this advanced OSS suppressor system is matched specifically to HK rifles and carbines and is contained in the distinctive OSS octagonal housing.

The octagonal profile contributes to heat dispersion and makes installation and removal of the suppressor components easier.

OSS suppressors are comprised of two modules, a Back Pressure Regulator (BPR) and a Signature Reduction Module (SRM)TM. The BPR1425TM on the MR556A1-SD captures and controls expanding gases instead of simply trapping the gas with baffles.

To further reduce the sound signature of the MR556A1 and eliminate flash, the OSS Signature Reduction Module (SRM4) is added to the end of the Back Pressure Regulator (BPR1425). The entire unit weighs in an 19.25 ounces (550 grams) and measures 10.96 inches (278 mm).

OSS SUPPRESSOR FEATURES AND CHARACTERISTICS

- Typical 18 dB reduction with the only the BPR module installed
- Less than an inch of increased weapon length with only BPR
- Eliminates up to 95% of the back pressure created by traditional suppressors
- Attenuates the noise signature without adversely affecting the operating system
- Redirection of expanding gas within the BPR reduces felt recoil and muzzle rise
- Greatly reduces weapon fouling
- Little increase in bolt speed
- Reduces component wear and overheating common to legacy suppressor designs
- Reduction in back pressure greatly diminishes toxic gases expelled back at the shooter
- Better weapon balance with over the barrel mounting of the BPR
- Typical sound reductions measured at the shooter's ear with the BPR and SRM4 installed ≈ 139 dB
- Components are designed to self-tighten during firing to prevent loosening
- Little impact shift from using just the BPR to BPR + SRM
- Typical MRTF (mean rounds to failure) 8000 rounds
- Internal parts on both the BPR and SRM can be replaced

The recently developed Modular Rail System for the MR556A1-SD allows the shooter to place individual rail components and accessories anywhere along the length of the seven free sides of the forearm using the slotted interface.

MODULAR RAIL SYSTEM (MRS) HANDGUARD FEATURES

- Repeatable rail segment mounting in any position along the 14 inch forearm (9 inch MRS also available)
- Self-captured rail segment hardware
- Two integrated Quick Detachable (QD) sling attachment points just forward of the receiver
- Optional positionable QD mount attachment
- Octagonal profile allows the OSS suppressor to be installed/removed with the MRS handguard in place
- MRS provides more comfort to the shooter's support hand

The HK MR556A1-SD gives the shooter outstanding 5.56 mm rifle performance with the added benefit of advanced sound and flash suppression and improved ergonomic handling.

Currently available to military and law enforcement customers, the HK/OSS MR-SD suppressor system unit is also available as a separate unit.

MR762A1-SD (SUPPRESSOR SYSTEM) 7.62 MM X 51 NATO

Like its 5.56 mm counterpart, the new HK suppressed MR762A1-SD is equipped with cutting edge, next generation of suppressor technology from Operators Suppressor Systems Inc. The rifle/suppressor combination also has HK's unique, recently developed Modular Rail System (MRS) handguard included to provide the shooter with a high performance integrated weapon package.

HK has been working with OSS on development of the next generation of advanced suppressors for HK MR rifles and carbines for more than two years.

These suppressors are comprised of two modules, a Back Pressure Regulator (BPR) and a Signature Reduction Module (SRM)TM.

The BPR1425TM on the MR762A1-SD captures and controls expanding gases instead of simply trapping the gas with baffles. To further reduce the sound signature of the MR762A1 — and eliminate flash — the OSS SRM4 module can be added to the end of the BPR1425.

OSS 7.62 MM SUPPRESSOR FEATURES AND CHARACTERISTICS

- Typical 18 dB reduction with the only the BPR module installed
- Less than an inch of increased weapon length with only the Back Pressure Regulator (BPR) installed
- Greatly reduces weapon fouling

- Eliminates up to 95% of the back pressure created by traditional suppressors
- Attenuates the noise signature without adversely affecting the operating system
- Redirection of expanding gas within the BPR reduces felt recoil and muzzle rise
- Little increase in bolt speed
- Reduces component wear and overheating common to legacy suppressor designs
- Reduction in back pressure greatly diminishes toxic gases expelled back at the shooter
- Better weapon balance with over the barrel mounting of the BPR module
- Typical sound reductions measured at the shooter's ear with the BPR and SRM4 installed ≈ 140 dB
- Components are designed to self-tighten during firing to prevent loosening
- Little to no impact shift from using just a BPR to BPR + SRM
- Typical MRTF (mean rounds to failure) 6000 rounds, semi-automatic
- Internal parts on both the BPR and SRM can be replaced
- The entire unit weighs in an 19.25 ounces (550 grams) and measures 12.49 inches (317 mm)

The modular rail system (MRS) for the MR762A1-SD allows the shooter to place individual rail components and accessories anywhere along the length of the seven free sides of the forearm using the slotted interface.

MODULAR RAIL SYSTEM (MRS) HANDGUARD FEATURES

- Repeatable rail segment mounting in any position along the 14.7 inch forearm
- Self-captured rail segment hardware
- Two integrated quick detachable (QD) sling attachment points just forward of the receiver
- Optional positionable QD mount attachment
- Octagon profile allows the OSS suppressor to be installed/removed with the rail in place
- MRS provides more comfort to the shooter's support hand

The HK MR762A1-SD provides outstanding MR rifle performance with the added benefit of more ergonomic handling and noise comfort of the new MRS rail system and OSS advanced sound suppression.

Currently available to military and law enforcement customers, the HK/OSS MR-SD suppressor system unit is also available as a separate unit.



MP5 9 MM X 19

Military/Law Enforcement

SUBMACHINE GUNS

Developed by Heckler & Koch in the mid-1960s, the 9 mm MP5 submachine gun uses the same delayed blowback operating system found on the famous HK G3 automatic rifle. Reliability, accuracy, ease of handling, simple maintenance, and safety — all the elements of HK excellence are highlighted on the MP5. Firing from the closed-bolt position in all modes of fire make MP5 submachine guns extremely accurate and controllable. All HK MP5 models are manufactured using time-tested Heckler

& Koch technological invocation and superior materials. Barrels are made using cold hammer forging, a process pioneered and perfected by HK. Machined and stamped high strength steel and modern polymers make up the rest of the MP5. Continual product improvements over nearly 50 years of production have kept the MP5 up-to-date and technologically current; it is firmly established as the world's pre-eminent submachine gun among military and law enforcement users.

Over 120 MP5 variants are available to address the widest range of tactical requirements. A selection of optional trigger groups allow for single fire only, full automatic, 2-round, and 3-round burst options. The weapon's unique modular design and a variety of optional buttstocks, forearms, sight mounts, and other accessories gives the MP5 extraordinary flexibility to meet most any mission requirement.



**MP5 NAVY
9 MM**



**MP5K
9 MM**

The MP5K is the ultimate close quarters weapon. At 4.4 pounds and less than 13 inches long, the MP5K is easily concealed and carried. All MP5Ks can be fitted with an optional folding buttstock and some models can be fired from inside a specially designed briefcase (right).



MP5K-PDW GERMAN FOLDING STOCK
HK-USA MP5K-PDW models are normally kitted with Choate Machine & Tool buttstocks. Light weight UMP-type folding buttstock are available by special order.

The MP5K-PDW (Personal Defense Weapon) is a compact and powerful arm. While comparable in performance to full size MP5s, the size and weight of the MP5K-PDW make this weapon the ideal choice where a rifle or full-sized submachine gun is unmanageable and a handgun is a poor compromise.



**MP5K-PDW
9 MM**



**MP5SD
9 MM**

The MP5SD uses an integral aluminum sound suppressor. Due to its ported barrel, it does not require use of subsonic ammunition for effective sound reduction like most conventional sound suppressed submachine guns. The removable sound suppressor is integrated into the weapon's design and conforms to the normal length and profile of a conventional, unsuppressed submachine gun.



**MP5SF
9 MM**

Single fire trigger mechanism — the MP5SF (single fire) carbine is a semi-automatic only variant of the MP5 fitted with a trigger group that prevents full automatic firing. Single Fire (SF) trigger group can be easily replaced with other MP5 trigger groups to allow burst and full automatic firing.

MP5 TRIGGER GROUPS

SEF trigger group*
Safe S
Semi-automatic E
Full automatic F

0-1 trigger group
Safe
Semi-automatic

0-1-2 trigger group
Safe
Semi-automatic
2-round burst fire

0-1-3 trigger group
Safe
Semi-automatic
3-round burst fire

0-1-D trigger group
Safe
Semi-automatic
Full automatic

0-1-2-D trigger group
Safe
Semi-automatic
2-round burst fire
Full automatic

0-1-3-D trigger group
Safe
Semi-automatic
3-round burst fire
Full automatic

*The "SEF" trigger group has a safety/fire selector lever on the left hand side. All other trigger groups have ambidextrous safety/fire selector levers.



MP5 MID LIFE IMPROVEMENT (MLI)
MP5 MLI has a new accessory rail handguard and scope mount rail as well as the same modular design features and components that allow any basic MP5 to be easily re-configured into a multitude of variants by simple swapping of buttstocks, trigger mechanisms, forearms, and adding other accessories like suppressors, optics, lights, and laser aimers. Available in European RAL8000 (brown/green) color scheme or conventional black finish.

A truly modern submachine gun, the UMP is made using the latest in advanced polymers and high-tech materials. Available in 9 mm and also chambered for more powerful cartridges (.45 ACP and .40 S&W), the UMP is a cost-effective, state-of-the-art weapon that offers the advantages of a simple operating system, lightweight, low cost, uncompromising reliability, and modularity.

Like all HK submachine guns, the UMP fires from the closed bolt position for accuracy and safe handling.

Available as a select-fire submachine gun or semi-automatic only carbine, the HK UMP (Universal Machine Pistol) was designed with American law enforcement and military units in mind, as it includes a bolt catch feature to hold the bolt rearward when last round is fired.

The UMP can also be converted from between its three calibers (.45 ACP, .40 S&W, and 9 mm) simply by exchanging barrel, bolt, and magazine assemblies.



UMP .45 ACP

All UMP have passive internal firing pin blocks within the bolt that prevents the weapon from firing if dropped.

UMP .40 S&W



UMP TRIGGER GROUPS

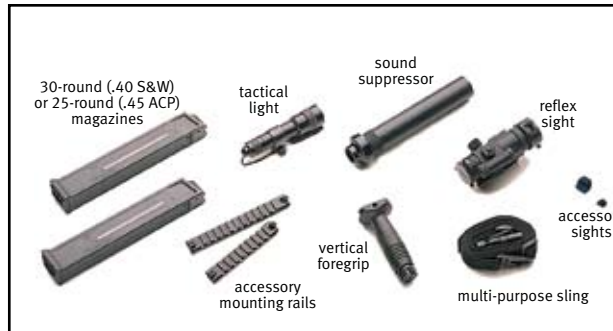
0-1 trigger group	
Safe	☒
Semi-automatic	☒
0-1-2 trigger group	
Safe	☒
Semi-automatic	☒
2-round burst fire	☒
0-1-D trigger group	
Safe	☒
Semi-automatic	☒
Full automatic	☒
0-1-2-D trigger group	
Safe	☒
Semi-automatic	☒
2-round burst fire	☒
Full automatic	☒

All UMP trigger groups are completely ambidextrous and have safety/selector levers on both sides.



UMP .45 ACP

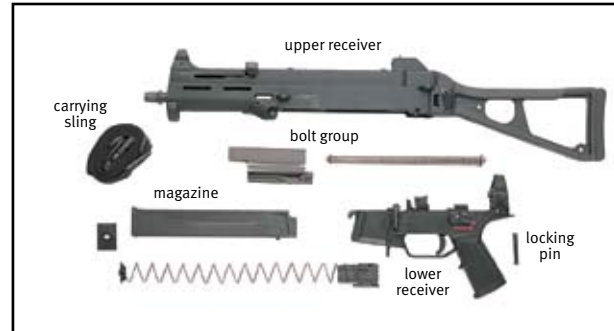
FLEXIBLE AND ADAPTABLE A large selection of accessories are available for the UMP and by exchanging a few key components, UMPs can be converted between calibers.



RUGGED SIMPLICITY The UMP uses a simple blowback operating system encased inside an advanced polymer receiver ensuring reliable and safe functioning.



UNCOMPLICATED MODULARITY The UMP fieldstrips into basic assembly groups with the removal of a single locking pin, making cleaning and maintenance fast and simple.



MP7A1 4.6 MM X 30

Military/Law Enforcement

PERSONAL DEFENSE WEAPON

Smaller than a conventional submachine gun, the 4.6 mm MP7 A1 is a compact and lightweight Personal Defense Weapon that can be carried like a handgun yet is capable of rifle-like effectiveness.

The HK-developed 4.6 mm x 30 ammunition provides the penetration approaching that of an assault rifle round and is able to defeat the types of body armor frequently found in the hands of terrorists and criminal gangs, in particular that of the former Soviet Bloc special forces, now the standard NATO test target (CRISAT).

In response to the NATO PDW requirement document D29, HK developed a Personal Defense Weapon system that will penetrate the CRISAT vest, comprised of 1.6 mm titanium plates and 20 layers of Kevlar, out to 200 meters and beyond.

Adopted and fielded by several of the world's leading special operations units, the gas-operated MP7 A1 fires from the closed

bolt position, using a rotary locking bolt system similar to that of the HK G36 assault rifle to contain the powerful 4.6 mm cartridge.

The MP7 A1 handles like a pistol yet allows targets to be engaged like a rifle. With its 7-inch barrel, the HK MP7 A1 is capable of firing 10-shot semiautomatic groups at 45 meters of less than 2 inches.

Unlike competing designs, the handgun-like appearance and fully ambidextrous design of the MP7 A1 ensures immediate acceptance by all users.

The MP7 A1 is manufactured predominantly of carbon fiber reinforced polymer with embedded metal components where needed. The weapon can be field stripped in seconds without tools and requires little cleaning due to its unique gas system.

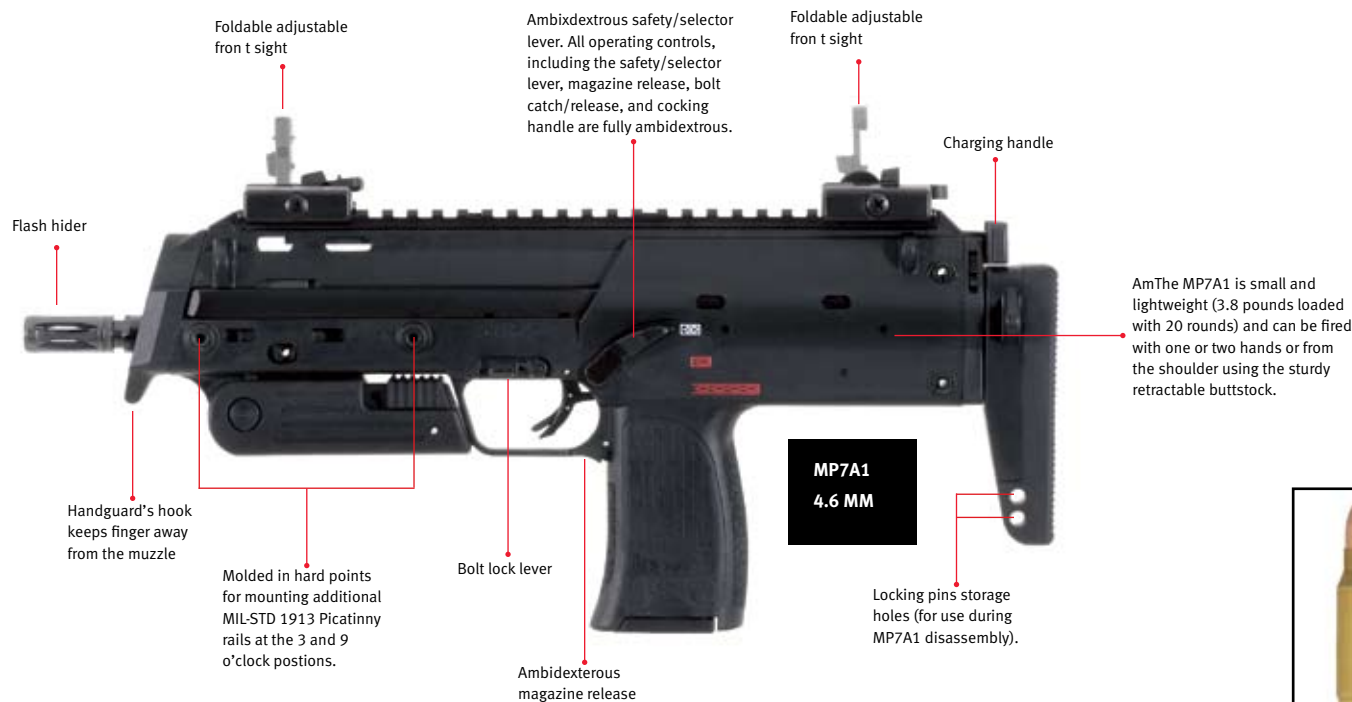
The lethal 4.6 mm x 30 cartridge produces minimal felt recoil (50% of a 9 mm NATO round) — assuring that multiple hits are easily obtainable in all modes of fire — incapacitating the target

through penetration and permanent tissue destruction.

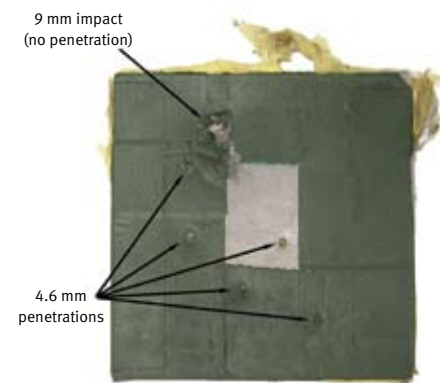
The MP7 A1 is fitted with a removable full length MIL-STD-1913 (Picatinny) rail on the top of the receiver for mounting a variety of optional targeting devices. Optional forearm rails are also available.

Standard folding mechanical peep sights can be fitted to the top rail or optional reflex, holographic, and other advanced sights can be attached in seconds without tools. Advanced optics like reflex (red dot sights) and holographic sights make aiming and target acquisition easy and intuitive whether the weapon is fired from the shoulder or at arms length like a handgun.

Special carrying devices are available for overt and discreet carry of the MP7 A1. Due to its lightweight, small size and minimal width the MP7 A1 is especially suitable for VIP protection details, pilots, drivers, guards, and support personnel who require hands-free carry of their defensive weapon while performing other tasks.



MP7A1 size comparison...smaller than a submachine gun and only slightly larger than a conventional handgun.



A 4.6mm steel ball round will penetrate a CRISAT target (the equivalent of a Soviet special forces bullet-proof vest) at 200 meters.



Kevlar helmet penetration at 200 meters. The same 4.6 mm cartridge easily passes through automobile windshields with minimal deflection.



Carry options include concealed carry rigs, multi-purpose or elastic slings, and thigh holsters.

HK416 5.56 MM X 45

Military/Law Enforcement

SELECTIVE FIRE RIFLES & CARBINES

The HK416 was developed by Heckler & Koch for US special operations forces as a major product improvement of M4/M16-type carbines and rifles. Using the HK-proprietary gas piston system found on the G36, the HK416 does not introduce propellant gases and carbon fouling back into the weapon's interior, making it the most reliable of any M4/M16 type weapon.

The HK416 has been combat-proven in Southwest Asia and has also gained worldwide attention of military, law enforcement, and security users. In April 2007, the HK416 was selected as the new Norwegian Army rifle.

In 2011, a variant of the HK416 was selected by the U.S. Marine Corps as their new M27 Infantry Automatic Rifle (IAR) in an innovative program to create a highly accurate, lightweight, and more reliable alternative to many of their currently fielded light machine guns.

The origins of the HK416 began with the realization of the deficiencies of the direct gas impingement (gas tube) operating system found on conventional M4/M16-style weapons.

Input from the users of current M4/M16-type arms, high-speed video assessment, and extensive live-fire testing in extreme operational environments such as the U.S. Army Desert Proving Ground in Yuma, Arizona revealed multiple areas for weapon

improvement.

Upgrades were made to the internal operating system and various component parts, improving reliability in best and worse case scenarios, with all types of ammunition, with all barrel lengths, and with and without sound suppressors attached.

An innovative free-floating 4-quadrant rail system/handguard designed by HK allows all current accessories, sights, lights, and aimers used on M4/M16-type weapons to be fitted to the HK416. This HK rail system can be installed and removed without tools.

The HK-proprietary gas system uses a piston driving an operating rod to control the function of the bolt, preventing propellant gases and the associated carbon fouling from entering the weapon's interior.

This increases the reliability of the weapon and extends the interval between stoppages. It also reduces operator cleaning time, heat transfer to the bolt and bolt carrier, and wear and tear on critical components.

The HK416 uses a barrel produced by Heckler & Koch's famous cold hammer forging process; further improving reliability, service life, and operator safety during obstructed bore occurrences or in extreme extended firing sessions.

The highest quality steel is used in this unique manufacturing

process producing a barrel that provides superior accuracy for more than 20,000 rounds with minimal degradation of accuracy and muzzle velocity. HK416 variants are available with 10.4, 14.5, 16.5, and 20 inch (264, 368, 419, 508 mm) barrels.

Some HK416 variants also have "OTB" (over-the-beach) capability and can be safely fired after being submerged in water and not completely drained.

In addition to the improvements in the baseline weapon, HK has produced corrosion resistant steel and polymer magazines as well as a proprietary buffer system to further enhance functional reliability.

An HK add-on 40 x 46 mm grenade launcher module can also be quickly attached to the rail system without tools.

For training, the proven and fielded HK Safety Blank Firing Attachment and Live Round Excluder kit can be used with all HK416 variants, eliminating the possibility of live rounds being loaded into and fired through a standard issue weapon outfitted for blank firing only.

As the leading AR-based piston driven weapon system, the HK416 is unsurpassed in durability, safety, and accuracy. It is also the most cost-effective AR type weapon when viewed through total life cycle analysis.



HK416 robustness is proven in all environmental conditions...sand, mud, snow, and water.



The HK416 accepts all accessories that fit M4-type weapons, including the HK Grenade Launcher Module.



A piston driven operating system is the key to the HK416's reliability.



Military/Law Enforcement

Developed by Heckler & Koch in the mid 1990s, the G36 is a true modular weapon system in caliber 5.56 x 45mm NATO (.223 Remington). Constructed almost entirely of a tough, carbon fiber reinforced polymer material and using a simple, clean shooting, self-regulating, operating rod gas system; the G36 provides the user with a lightweight weapon that delivers high performance with extremely low maintenance.

The barrel of the G36 can be exchanged by unit armorers to create a rifle, carbine, compact carbine, or light support variant using the same common receiver.

Exhaustively tested and currently fielded with the German and Spanish Armed Forces the G36 is also used by a variety of law enforcement, military, and government customers in the U.S., Europe, and the Mideast.



G36 TRIGGER GROUPS

SEF trigger group	0-1 trigger group	0-1-2 trigger group	0-1-D trigger group	0-1-2-D trigger group
Safe S	Safe	Safe	Safe	Safe
Semi-automatic E	Semi-automatic	Semi-automatic	Semi-automatic	Semi-automatic
Full automatic F		Full automatic	Full automatic	Full automatic



MODULAR SOLUTION
The G36 receiver is the core around which individual modular groups can be recombined to meet individual mission requirements.

- 1 Buttstock Module Group
- 2 Grip/Trigger Assembly Module Group
- 3 Receiver Module Group
- 4 Bolt Module Group
- 5 Carry Handle/Sighting Rail Module Group
- 6 Handguard Module Group
- 7 Barrel/Flash Hider Module Group



HK417 7.62 MM X 51

Military/Law Enforcement

The HK417 was designed as a Commercial-Off-The-Shelf (COTS) alternative to existing, competing 7.62 x 51 mm semi-automatic and select-fire rifles, carbines, and sniper rifle systems. As the .30 caliber “big brother” to the combat proven 5.56 mm HK416, the HK417 shares similar operating control locations, assembly/disassembly, and appearance to current issue M16/M4-type weapons resulting in an immediate transfer of learned skills and “muscle memory” critical to proficient marksmanship and operation in high stress environments. The HK417 is gas operated and uses a gas piston and a solid operating “pusher” rod in place of the hollow gas tube normally employed in AR15/M16/M4-style weapons. Pioneered by Heckler & Koch in the G36 and HK416, this method of operation virtually eliminates malfunctions that are common to direct impingement gas systems. With the HK operating system, no hot carbon fouling and waste gases enter the receiver area. The HK417 stays cleaner and heat transfer to bolt components is drastically reduced. The service life of all parts, including the barrel, is increased substantially. The achieved goal of the HK417 is to guarantee no parts failures or stoppages in less than 10,000-15,000 rounds with little or no accuracy degradation. The HK417 adjustable gas system also makes the weapon

less sensitive to ammunition and barrel length changes, or when sound suppressors are employed. During HK-conducted desert testing, a single HK417 fired more than 15,000 documented rounds of assorted ammunition, including M118LR, M80 ball, M993 AP, and assorted commercial ammunition with bullet weights ranges from 125 to over 175 grains without a single parts failure or stoppage. The HK417 is available with 12, 16, and 20-inch barrels, all manufactured using HK’s famous proprietary cold-hammer forging process. The standard, hardened chrome-lined barrel is available in 12-inch or 16-inch lengths. For optimal accuracy, a specially treated chrome-lined 16- or 20-inch barrel is an option. These optional barrels have resulted in less than 1 Minute Of Angle (MOA) groups. All three barrel lengths have conventional land and groove bore profiles with a 1 in 11-inch twist and are designed to function reliably with bullet weights ranging from less than 147 to 175 grains. HK417 barrels are threaded for flash hiders, muzzle compensators, and for sound suppressor attachment. Both 10- and 20-round translucent polymer box magazines have been developed for the HK417. These magazines will drop free and can

be inserted into the beveled magazine well with a conventional upward motion and not the rocking motion common on some 7.62 mm rifles. An HK designed multi-position retractable buttstock provides a comfortable sloping cheek piece, multiple battery storage compartments, and enhanced non-slip rubber recoil pad. Ambidextrous operating controls are standard on the HK417, including the charging handle and an ambidextrous lever selector. Semiautomatic and fully-automatic modes of fire are available as a standard feature. All manner of existing accessories, including sights, laser aimers, pistol grips, slings, etc. can be fitted to the common attachment points and/or the MIL-STD-1913 Free-Floating Rail System (FFRS) found on the HK417. This patented HK417 rail system is user removable and mirrors that of the HK416. The HK Free-Floating Rail System can be removed without special tools by the operator and ensures 100% return to zero for all mounted accessories. The rail system accepts the same quick-detachable 40 x 46 mm HK grenade launcher used on the HK416. Several variants of the HK417 have been operationally fielded including the recently developed A2 variant.

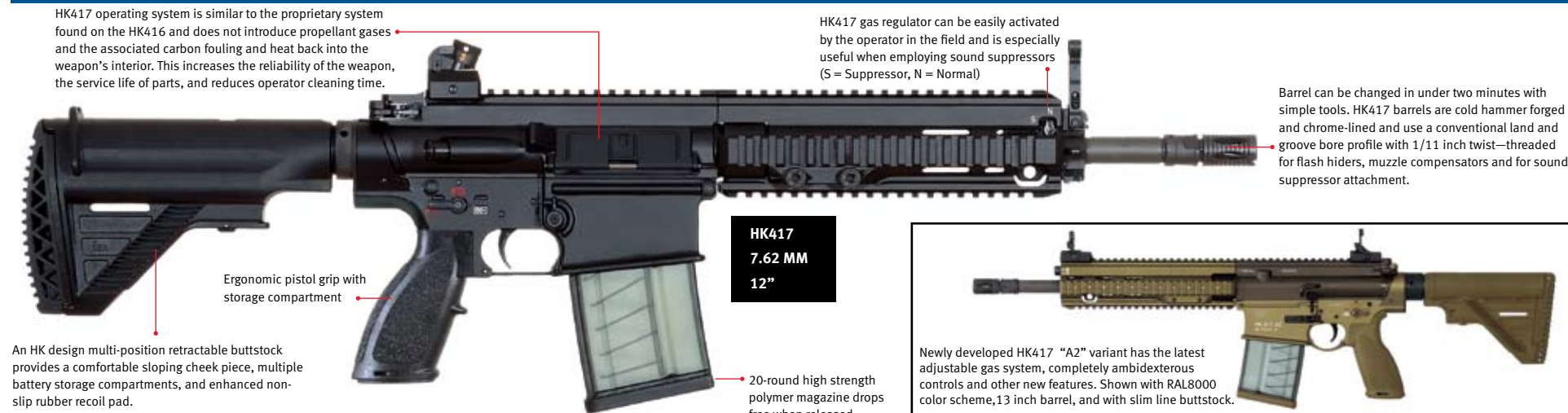
UPPER RECEIVER KITS 5.56 MM X 45 NATO

RIFLES & CARBINES

HK 5.56 mm Upper Receiver Kits includes a complete upper receiver/ barrel assembly, bolt carrier assembly, buffer, and buffer spring allowing most high-quality 5.56 mm AR/M4-style rifles to be retrofitted to HK’s pusher rod system. The Upper Receiver Kit is the core of the HK 5.56 mm proprietary gas piston operating system. It employs a piston and a solid operating “pusher” rod in place of the gas tube normally found in AR15/M16/M4-style firearms. The HK416 and MR556A1 Upper Receiver Kits are designed to be fully interchangeable with all high quality AR/M4-style firearms, simply by attaching it to an AR/M4 lower receiver using the standard takedown pins. Due to the shortened length of the HK buffer and HK (action) buffer spring,

these parts do not work in fixed stock AR-type rifles. The HK piston driven operating system virtually eliminates malfunctions that are common to direct impingement gas systems since hot carbon fouling and waste gases do not enter the receiver area. Designed to function with a wide variety of high quality 5.56 x 45 mm ammunition, HK Upper Receiver Kits uses a C.I.P. dimensioned chamber (a chamber with dimensions specified by the Commission Internationale Permanente). The kits also functions reliably with most high quality Caliber .223 Remington ammunition. The HK416 Upper Receiver Kit is made in Germany while the MR556A1 Upper Receiver Kit is manufactured in the USA using American and German

made components. HK Upper Receiver Kits uses a German-made barrel produced by Heckler & Koch’s famous cold hammer forging technology. The highest quality steel is used in this unique manufacturing process producing a barrel that provides superior accuracy and long service life. For increased accuracy, the MR556A1 Upper Receiver Kit used an unchromed 16.5-inch barrel with an internal profile of 6 lands and grooves with a 1 in 7 inch (178 mm) twist. It is also moderately “swagged” with a slightly smaller internal diameter at the muzzle end than the chamber end. This feature has a positive effect on bullet accuracy and velocity. A thick, heavy contour also contributes to its excellent accuracy.



HK416 UPPER RECEIVER KIT Capable of selective fire/full automatic function when matched with a selective fire lower receiver.



MR556A1 UPPER RECEIVER KIT Semi-automatic function only, also included the new HK Modular Rail System handguard with movable Picatinny rail segments.



HK UPPER RECEIVER KITS
Fits most high quality 5.56 mm AR/M4-type weapons with retractable buttstocks)

HK Upper Receiver Kit includes:

- 1 Complete Upper Receiver/Barrel Assembly—HK416 10.4 inch or MR556A1 16.5 inch cold-hammer forged barrel, upper receiver with forward assist, extended convertible charging handle, HK Modular Rail System (MRS) handguard (with 16.5 in) or HK FFRS handguard (with 10.4 in)
- 2 Complete MR556 or HK416 Bolt Group Assembly (only HK416 bolt group has full automatic/selective fire function)
- 3 HK Proprietary Buffer
- 4 HK Proprietary Buffer (Action) Spring

MG4 LIGHT MACHINE GUN 5.56 MM X 45

Military/Law Enforcement

MACHINE GUNS

Developed as part of the German Bundeswehr's "Infantryman of the Future" program, the MG4 is Heckler & Koch's latest 5.56 mm machine gun model.

The driving concept behind the MG4 was to create an ultra-reliable, lightweight, compact machine gun capable of a high volume of fire while being deployed by one soldier in all terrains and environments. The MG4 meets all these requirements and offers significant technological advances, including bottom ejection from the receiver. Moreover, it is compatible with all NATO standard ammunition and works with many readily available ammunition boxes and ammunition pouches.

Adopted as the primary light machine gun by the German and Spanish military, the 5.56 mm MG4 machine gun was designed to be a safe and truly ambidextrous weapon; easy to handle for both right- and left-handed shooters. A sturdy, adjustable bipod provides stable

support for firing but for even greater accuracy, the MG4 can be fitted to the U.S. M112 tripod (with an adaptor) as well as a host of other mounts and tripods.

The MG4 uses a long-life HK cold hammer-forged barrel; the folding carrying handle fastened to the barrel allows for quick and easy changes of hot barrels without the need for protective gloves.

An adjustable 1,000 meter mechanical sight is standard and a MIL-STD-1913 Picatinny rail allows assorted optical sights and accessories to be easily mounted. The front sight folds down and is adjustable for elevation and windage.

Multiple variants include the standard MG4 E with a 17-3/4 inch barrel weighing approximately 17.5 pounds, a shorter "KE" variant with a 14.5 inch barrel, and a vehicle mounted "EBW" variant.

To reduce the overall length of the MG4, the buttstock can be folded to the side of the receiver. Even with the buttstock folded, the

MG4 can be operated and fired.

Other features include a shoulder support for sustained firing, and an ambidextrous safety/selector lever with safe and fully automatic "fire" positions. The MG4's folding cocking handle can be used to lock the bolt group when clearing a stoppage.

Combined with its low weight (under 18 pounds) and its folding buttstock, the MG4 is an excellent choice for airborne operations or for use in confined areas. The short barrel MG4 KE variant is also available when space and size are even greater critical considerations.

But it's the MG4's durability and reliability that are its most notable features. During desert testing in 2004, a single MG4 test gun successfully fired more than 102,000 rounds of ammunition and remained fully functional after conclusion of the testing.



QUICK INDICATION OF THE LOADING STATUS
The protruding loading indicator is easily visible and is tactile even to a gloved hand. It not only indicates visually that there is a cartridge in the feed tray, but it also allows the user to feel the loading status in the dark.



BOLT CAN BE LOCKED IN ANY POSITION
A safe and practical option is to lock the bolt in any position of its track. Simply lift up the cocking lever and clamp it firmly against the receiver. Activating the bolt lock prevents any accidental firing.



SAFE BARREL LOCK, QUICK BARREL CHANGE
The carrying grip also performs as the barrel change handle. When it is folded down, the barrel is locked. To change the barrel, simply fold up the grip and unlock the barrel.



INCORPORATES COCKING SAFETY
The MG4 bolt carrier incorporates a cocking safety that ensures the bolt is properly cocked and held by the sear prior to firing.



SIMPLE AND QUICK BARREL CHANGE
Heckler & Koch set the standard for durability of barrels. At the same time, changing the MG4 barrel could not be easier. MG4 barrels can be changed without using gloves, as the carrying grip is also the barrel change handle. Another critical advantage of the MG4 is the barrel can be changed independently of the bolt position.



ERGONOMIC OPTIMIZED BIPOD
The bipod of the MG4 is robust and debris resistant. It can be simply folded up and stowed away in the ergonomically formed handguard. This allows the user to hold and transport the MG4 as comfortably as an assault rifle. It can be rotated and has variable height adjustment – a necessity for operational use in rough and uneven terrain.

MG5 MEDIUM MACHINE GUN 7.62 MM X 51

Military/Law Enforcement

MACHINE GUNS

Developed as the successor of the German military's 7.62 mm MG3 general purpose machine gun, this modern, 21st-century design was originally known as the HK121. In June 2013, it was selected by the German Army and rechristened the "MG5." The MG5 opens a new era of universal belt-fed 7.62 mm x 51 weapons.

Compared to other machine guns, the MG5 offers a modular, rationally designed, and up-to date build standard, with numerous technical and ergonomic innovations.

The MG5 machine gun is a simple gas-operated weapon, firing from an open bolt in automatic mode only. It has a quick-detachable, air-cooled barrel, with a conventional rotary bolt locking function. The MG5 is belt fed, using standard NATO disintegrating belts with M13 links.

The mounting interface of the HK MG5 is compatible with existing MG3

mounts and tripods already in service. The Universal model of the MG5 can be used by dismounted infantry in the ground role, as well as for air defense or as a vehicle mounted/coaxial machine gun.

The other MG5/HK121 variants – the shorter, lighter Infantry model, the turret/vehicle mounted EBW model, and Special Forces model with its spade grip— all have specialized features, but all possess common, core attributes. Unique for light or medium machine guns, the MG5's rate of fire can be switched between 600, 700, and 800 rounds per minute. Experience has shown that beyond 700 rpm it becomes difficult to accurately fire a medium machine gun from the shoulder. The HK MG5's adjustable rate of fire makes it a uniquely controllable machine gun. The HK MG5 also shares many features with the 5.56 mm HK MG4 light machine gun that was successfully adopted into German military service in 2005.

The MG5 is fed from clip-on 50-round containers or separate belt boxes and is equipped with a pistol grip and rifle-type trigger. A variety of side-folding and fixed polymer buttstocks are available as well as a folding forend forward grip positioned under the gas tube.

On the Universal model, a conventional folding bipod is attached below the gas block, and the MG5 can be installed on a wide variety of mounts and tripods. All MG5 models are fitted with a Picatinny-type rail on the top of the receiver which can accept standard mechanical sights as well as a variety of day and night sights and optics, giving the machine gun highly refined night fighting capability.

Currently the MG5 Infantry and Universal variants are available from HK-USA. Mounted (EBW) and Special Forces (S) variants are special order products. Black or new RAL8000 green/brown finish available.

NEW
MG5
7.62 MM
INFANTRY

Infantry model has fluted, short (460 mm/18.1 in), lightweight (2.5 kg/5.5. lb) barrel for easy handling

Lightweight fixed buttstock (folding buttstock can also be installed)

MG5 / HK121 can be cocked with the selector in any position

Barrel handle. All MG5 / HK121 variants have quick change barrel features; barrels can be easily and safely changed in seconds without tools.

Rate of fire adjustment at the gas regulator. Rate of fire can be switched between 600, 700, 800 rounds per minute. Lower rate of fire than MG3 translates into greater accuracy and control.

Grip pod (vertical foregrip) contains built-in folding bipod

Special buffer reduces recoil forces and stabilizes the rate of fire

NATO STANAG 4694 mounting rails (fully compatible with MIL-STD-1913 Picatinny rails) for optional sights and other accessories

The green/brown RAL8000 color MG5 HK 121 Infantry Model variant with lightweight short barrel, 50 round belt pouch and grip pod (fore grip) with integral bipod.

MG5 / HK 121 S Special Forces variant weighs approximately 12 kg (26.6 pounds) and has a spade grip.

MG5 / HK121 EBW (Mounted) is a remote controlled variant and can be used in a number of vehicle and weapon station (cupola/turret) applications.

NEW
MG5
7.62 MM
UNIVERSAL

1,000 meter mechanical rear sight

MG5/HK121 variants use a long stroke gas system with a rotating bolt head. Firing from an open bolt, thermally induced firing hazard (cook-off) is low (≥300 rounds / DM111A1 / 20° C).

Front sight can be folded down for easy transport

MG5 / HK121 withstands barrel obstruction test to NATO-AC 225/D14 standards (soft core and steel core ammunition DM111A1, DM151)

Release button to fold buttstock

Bolt handle folds in when not in use

Loaded weapon indicator tab protrudes above receiver and provides a visual and tactile warning when a loaded ammunition on the feed tray.

HK proprietary cold hammer forged barrels ensures long barrel service life

Steel or aluminum folding bipods available. MG5/HK121 variants can be installed on all mounts and tripods originally developed for the MG3 machine gun.

"Belt pulling" capability of 250 round (hanging free)

Feed tray release latch

Almost identical operation the HK MG4 means commonality in training and some components

MISSION RELATED MG5/HK121 WEAPON KIT

Gas cylinder
Option with STANAG 4694 rails on 3, 6, and 9 o'clock

Quick change barrel
663 mm length with foldable carrying handle

Cheek rest
option for buttstock below

Mechanical sight
Compact version, adjustable up to 1000 m

Sights
E.g. Trijicon ACOG (optional)

Buttstock
Fixed and lightweight buttstock

Feed tray
For ammunition belt or HK-belt drum.

Handguard
Ergonomic handguard with retainer for aluminium bipod

Quick change barrel
550 mm length with foldable carrying handle

Optics
E.g. ZO 4x30 (optional)

Mechanical sight
Adjustable up to 1000 m

Buttstock
Foldable

Heat protector

Handguard
Ergonomic handguard with retainer for steel bipod

Quick change barrel
460 mm length with foldable carrying handle

Feed tray
With interface for belt box DM 40004 or HK-belt drum

Mounting Adaptor

HK121 Receiver

Buttstock
Foldable and length adjustable (cheek rest as option)

Gas cylinder

Steel bipod

Grip pod (fore grip)
Grip with integral bipod

HK Infantry belt pouch
50 rounds (100 rounds not illustrated) with case deflector

Brass catcher
(200 cartridges)

Grip
Gun can be cocked with safety catch applied.

Grip (remote control)

Spade grip

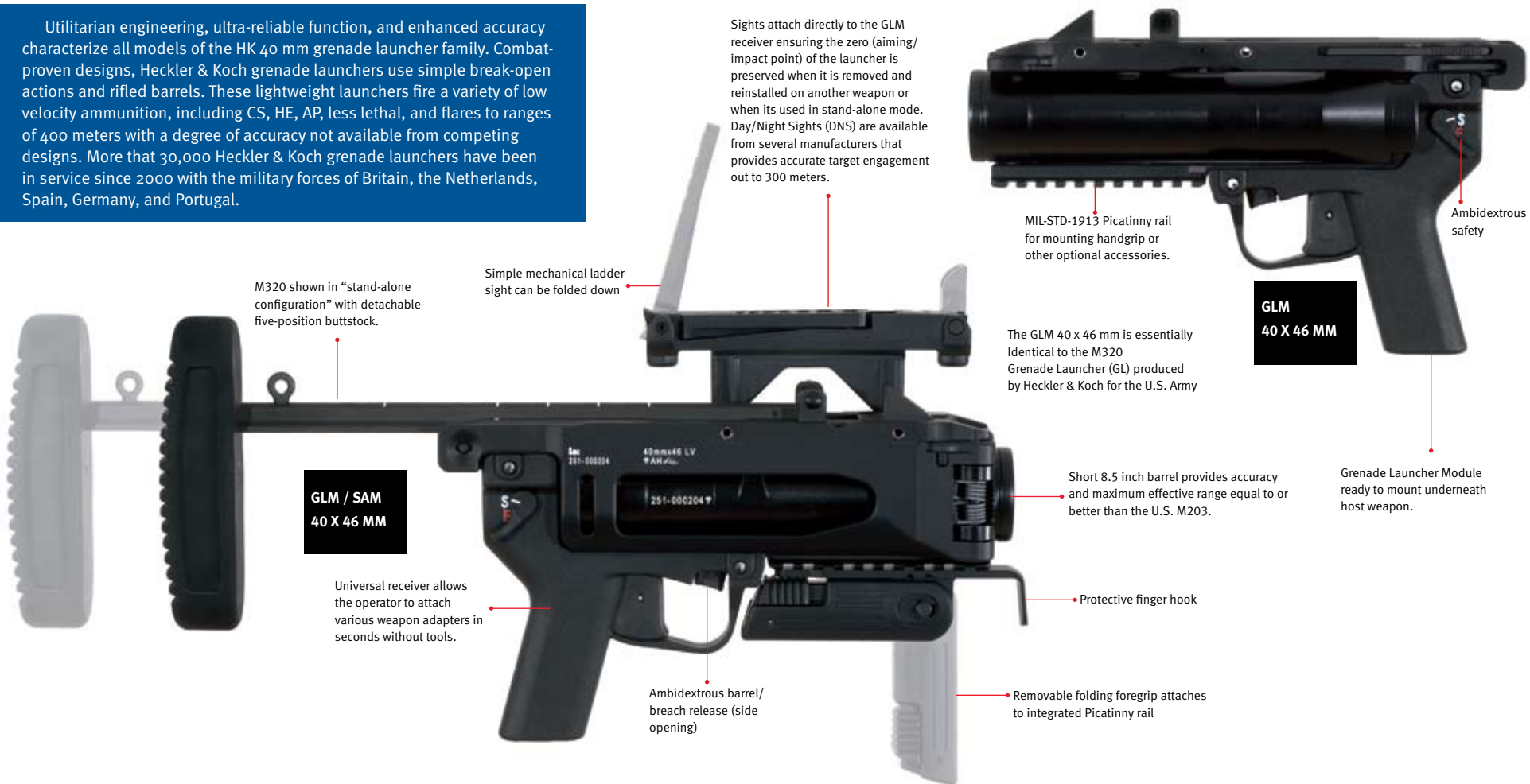
GRENADE LAUNCHERS 40 MM X 46

Military/Law Enforcement

GRENADE LAUNCHERS

Utilitarian engineering, ultra-reliable function, and enhanced accuracy characterize all models of the HK 40 mm grenade launcher family. Combat-proven designs, Heckler & Koch grenade launchers use simple break-open actions and rifled barrels. These lightweight launchers fire a variety of low velocity ammunition, including CS, HE, AP, less lethal, and flares to ranges of 400 meters with a degree of accuracy not available from competing designs. More than 30,000 Heckler & Koch grenade launchers have been in service since 2000 with the military forces of Britain, the Netherlands, Spain, Germany, and Portugal.

Sights attach directly to the GLM receiver ensuring the zero (aiming/impact point) of the launcher is preserved when it is removed and reinstalled on another weapon or when its used in stand-alone mode. Day/Night Sights (DNS) are available from several manufacturers that provides accurate target engagement out to 300 meters.



**GLM
40 X 46 MM**

The GLM 40 x 46 mm is essentially identical to the M320 Grenade Launcher (GL) produced by Heckler & Koch for the U.S. Army

Grenade Launcher Module ready to mount underneath host weapon.

On November 6, 2008, the U.S. Army "type-classified" the HK M320, opening the way for the first of 70,000 add-on grenade launchers to be issued to combat troops. This award came after more than three years of exhaustive developmental testing and user evaluation at the Army's Aberdeen Test Center in Aberdeen, Maryland, the U.S. Army Infantry Center at Fort Benning, Georgia, and Army test locations throughout the world. The M320 is a multi-functional single-shot launcher that can be attached to a wide range of current issue U.S. weapons including the M4, M4A1 and M4 MWS carbines and M16A2 and M16A4 rifles as well as an assortment of HK weapons (HK416 and HK417). The M320 is currently fielded in U.S. combat operations.



HK grenade launchers can be fired without a stock using a special bungee sling.



M4 Carbine with HK Grenade Launcher (GL Model "AG-M4") M320A1 includes M4 adapter kit, NSN 1010-01-557-2542



M16A4 Rifle with HK Grenade Launcher (GL Model "AG-M16A4") M320 includes M16 adapter kit, NSN 1010-01-566-9083



HK416 carbine with HK Grenade Launcher (GL Model "AG-HK416")



HK Grenade Launcher adaptor kits

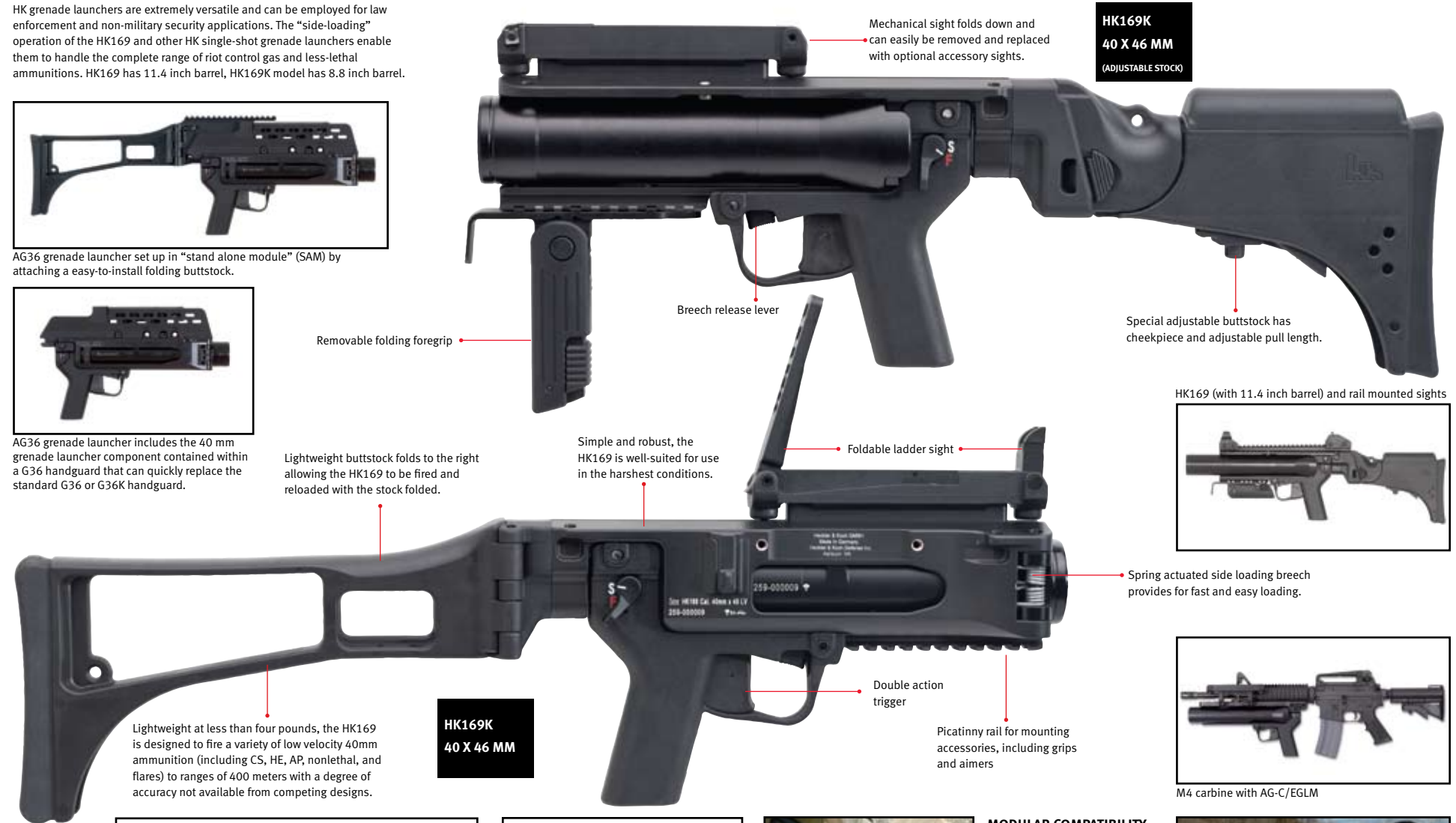
HK grenade launchers are extremely versatile and can be employed for law enforcement and non-military security applications. The "side-loading" operation of the HK169 and other HK single-shot grenade launchers enable them to handle the complete range of riot control gas and less-lethal ammunitions. HK169 has 11.4 inch barrel, HK169K model has 8.8 inch barrel.



AG36 grenade launcher set up in "stand alone module" (SAM) by attaching an easy-to-install folding buttstock.



AG36 grenade launcher includes the 40 mm grenade launcher component contained within a G36 handguard that can quickly replace the standard G36 or G36K handguard.



**HK169K
40 X 46 MM
(ADJUSTABLE STOCK)**

Removable folding foregrip

Breech release lever

Mechanical sight folds down and can easily be removed and replaced with optional accessory sights.

Special adjustable buttstock has cheekpiece and adjustable pull length.

Simple and robust, the HK169 is well-suited for use in the harshest conditions.

Foldable ladder sight

Lightweight buttstock folds to the right allowing the HK169 to be fired and reloaded with the stock folded.

Spring actuated side loading breech provides for fast and easy loading.

Double action trigger

Picatinny rail for mounting accessories, including grips and aimers

Lightweight at less than four pounds, the HK169 is designed to fire a variety of low velocity 40mm ammunition (including CS, HE, AP, nonlethal, and flares) to ranges of 400 meters with a degree of accuracy not available from competing designs.

**HK169K
40 X 46 MM**



New buttstock with removable cheekpiece for use with helmet



New buttstock folded



AG-C 40mm attached to M4-type carbine.

HK169 (with 11.4 inch barrel) and rail mounted sights



M4 carbine with AG-C/EGLM



AG-C/EGLM (AG-36) attached to a G36 rifle

MODULAR COMPATIBILITY
Side-loading "add-on" HK grenade launchers fire all low velocity 40 x 46 mm ammunition and can be mounted on a wide variety of weapons, including various G36 models and M4-type carbines.

Adopted by the military forces of several NATO and allied countries — as well as select U.S. special operations units — the HK Grenade Machine Gun has been used in combat operations throughout Southwest Asia.

The HK Grenade Machine Gun has outperformed competing models in overall durability, ease of use, precision targeting, and safety. And the HK GMG is available as a series production unit below the purchase cost of competing systems.

Its advanced features, excellent accuracy, operator convertible feed direction and removable barrel, night fighting capability with NVGs, and unmatched operator safety features are all unique hallmarks of the HK GMG.

The HK GMG uses an aluminum receiver for reduced weight and manufacturing costs. Other features include a fluted chamber for equal pressure on cartridge case and positive extraction and ejection, advanced primer ignition, and a barrel that is easily

removable for field stripping without the use of tools. This is also an advantage in the event that an HE projectile becomes lodged in the bore.

The bolt reciprocates on a massive guide rod and is stabilized by two steel rails, all of which are bolted to the receiver, eliminating the need for welding in the receiver.

The HK GMG upper mount (gun cradle) readily mounts to standard U.S. tripods, various vehicle mounts, or the lightweight, adjustable HK aluminum tripod. The HK tripod provides low-to-high height position settings as well as provisions for the use of a ballast sack to reduce tripod movement during firing from the high standing position, as when firing from behind cover such as a wall or berm.

The upper mount also provides a wider, more stable set of control grips with ambidextrous firing levers and an adjustable shoulder support. This enables the operator to quickly index and

accurately engage multiple and/or moving targets during free gun firing.

Clearing the gun simply consists of lifting the feed tray cover and removing the belt. The position of the ambidextrous charging handle allows the shooter to cock and clear the gun without reaching near the ammunition belt and feed way.

Both the gun and tripod can be easily transported in a “backpack” configuration by a two-man team.

The HK GMG is also perfectly suited to vehicle turret and helicopter mounting. It is both accurate and easy to use, with an extremely smooth feed cycle and impressive safety features.

It is flexible, convertible to right or left-side feeding, and simple to maintain — with no tools being required for stripping or reassembly. All in all, a complete solution to the demanding requirements of effective ground fire support.



EASY SET-UP
The HK GMG can quickly and easily be assembled and readied for use.



COMBAT PROVEN
The HK GMG has been fielded in combat operations in Southwest Asia.



FLEXIBLE DEPLOYMENT
GMGs can be mounted on a variety of vehicles.

GMG 40 X 53 MM

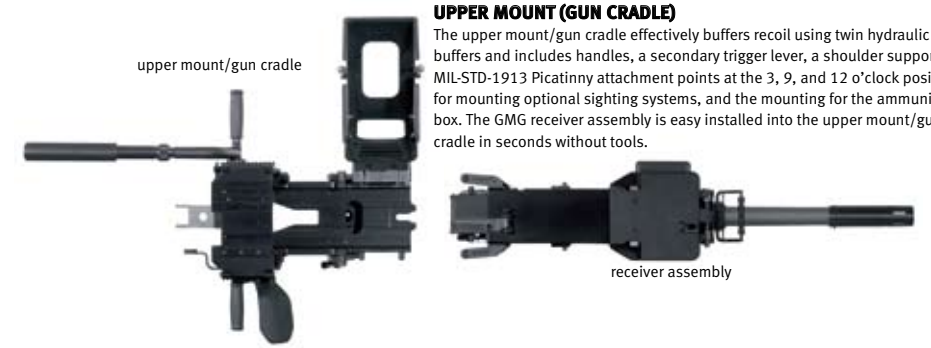
- Rugged blowback bolt system fires all types of 40 mm x 53 cartridges from the open bolt position.
- Foldable ladder sight for target acquisition at ranges up to 600 meters.
- Foldable front sight.
- Ambidextrous trigger.
- Four multiple Picatinny-type accessory rails.
- GMG stabilizing shoulder support rod is mounted on the receiver and is height and length adjustable and aids accuracy and controllability during free gun firing.
- GMG carrying handle.
- Selector lever located on the right side of the receiver has SAFE, SINGLE FIRE, and SUSTAINED FIRE positions.
- Trigger lever (right side only).
- Barrel can be changed without the use of tools. A special barrel lock prevents firing if the barrel is not properly installed.
- Adjustment for elevation and windage for precision aiming.
- Lightweight aluminum tripod weighs 33 pounds (15 kg) and permits a wide range of firing positions and heights, maximizing the gun's tactical flexibility. The GMG may also be fitted to the U.S. M3 tripod or other mounts using the standard pintle mounting socket.
- Ambidextrous handles for easy target tracking and pointing of the GMG.
- The receiver uses a solid extruded aluminum design, combining light weight with strength.
- Lightweight telescoping tripod (33 lb/15 kg) can be adjusted to a large number of positions for increased tactical flexibility.



GMG IS IN WIDE USE
The HK Grenade Machine Gun has been adopted by the armed forces of more than fifteen countries, including Germany, the UK, Canada, Finland, Ireland, Sweden, and the Netherlands. Since 2002, it has seen extensive operational use.



Tripod mounted GMGs in “high position” can shoot through windows or over barricades (right).



UPPER MOUNT (GUN CRADLE)
The upper mount/gun cradle effectively buffers recoil using twin hydraulic buffers and includes handles, a secondary trigger lever, a shoulder support rod, MIL-STD-1913 Picatinny attachment points at the 3, 9, and 12 o'clock positions for mounting optional sighting systems, and the mounting for the ammunition box. The GMG receiver assembly is easily installed into the upper mount/gun cradle in seconds without tools.



FEED SYSTEM
Driven by the bolt, the system feeds and guides the linked cartridges in two smooth movements during the forward and rearward movement of the bolt. The feed direction can be readily reconfigured from the right-side to left-side by the operator in the field in minutes, without the use of tools.

A robust, recoil operated inertia bolt with advanced primer ignition, firing from an open bolt position, directly chambers the cartridges out of the belt. The bolt fires all types of available 40 x 53mm grenades in either semi or fully automatic firing modes. Semi-automatic fire increases hits of target while reducing rounds fired.

- Cold hammer forged barrel with fluted chamber.
- The GMG's muzzle velocity is 790 feet/second (241 meter/second) with a maximum range of 7218 feet (2200-meters) at an approximate rate of fire of 350 rounds/minute.
- HK GMG can use a variety of accessory reflex sights and other optics for rapid aiming and target acquisition out to 1,500 meters. Night fighting capability is possible using NVGs.
- Barrel flash hider.
- The modular trigger group is easily replaced with a solenoid for remote-controlled fire, when vehicle or helicopter mounted.
- Feed system can be changed between the right and left side of the GMG without the use of tools.
- Charging handle is located on the rear of the receiver.
- The legs of the tripod each have a retainer hook for use with an optional ballast sack.
- Belted 40 mm x 53 ammunition is fed from a NATO PA 102 ammunition box with a 32 round capacity. Optional feeding (16 rounds) from a .50 caliber ammunition box.

GMG SAFETY FEATURES

- SAFETY/FIRE SELECTOR LEVER**
The safety/fire selector settings of safe, semi-automatic fire, and fully automatic fire. Setting the selector at “safe” blocks the trigger and locks the bolt in its cocked position.
- LOADING SAFETY**
Opening the feed cover prevents the bolt from traveling forward endangering the operator's hands.
- BOLT LOCK**
This locks the bolt in position and permits the operator to safely clear the GMG.
- FIRING PIN SAFETY**
This is independent safety system ensures that the firing pin cannot strike the primer until the cartridge is fully supported in the chamber.
- COCKING SAFETY**
When the bolt is not pulled back completely, accidental firing is prevented by an integral, automatic mechanism which stops the bolt from traveling forward.
- BARREL AND COVER SAFETY**
The cover can only be closed if the barrel is properly mounted and ammunition belt is loaded on the feed side.



OPERATING ELEMENTS
The safety/fire lever selector, trigger, and the charging handle are all located centrally on the end to the receivers



REMOTE CONTROLLED GUN MOUNTS
GMGs can be used on vehicles as main or secondary weapons.



Military/Law Enforcement/Civilian Product Specifications

HANDGUN MODEL	CALIBER	MAGAZINE CAPACITY	MODES OF FIRE	SIGHTS	GRIPS	WIDTH (APPROX.)	HEIGHT (APPROX.)	WEIGHT WITH EMPTY MAGAZINE	SIGHT RADIUS (APPROX.)	BARREL LENGTH	OVERALL LENGTH
VP9	9 mm x 19	15/10	semi	3-dot	fully adjustable	1.32 in / 33.5 mm	5.41 in / 137.5 mm	26.56 oz / 753 g	6.38 in / 162 mm	4.09 in / 104 mm	7.34 in / 186.5 mm
P30	9 mm x 19	15/10	semi	3-dot	fully adjustable	1.37 in / 34.8 mm	5.43 in / 138 mm	26.08 oz / 740 g	5.84 in / 148.5 mm	3.85 in / 98 mm	7.12 in / 181 mm
P30	.40 S&W	13/10	semi	3-dot	fully adjustable	1.37 in / 34.8 mm	5.43 in / 138 mm	26.08 oz / 740 g	5.84 in / 148.5 mm	3.85 in / 98 mm	7.12 in / 181 mm
P30S	9 mm x 19	15/10	semi	3-dot	fully adjustable	1.53 in / 38.8 mm	5.43 in / 138 mm	26.08 oz / 740 g	5.84 in / 148.5 mm	3.85 in / 98 mm	7.12 in / 181 mm
P30S	.40 S&W	13/10	semi	3-dot	fully adjustable	1.53 in / 38.8 mm	5.43 in / 138 mm	26.08 oz / 740 g	5.84 in / 148.5 mm	3.85 in / 98 mm	7.12 in / 181 mm
P30L	9 mm x 19	15/10	semi	3-dot	fully adjustable	1.37 in / 34.8 mm	5.43 in / 138 mm	27.52 oz / 780 g	6.42 in / 163 mm	4.45 in / 113 mm	7.71 in / 196 mm
P30L	.40 S&W	13/10	semi	3-dot	fully adjustable	1.37 in / 34.8 mm	5.43 in / 138 mm	27.52 oz / 780 g	6.42 in / 163 mm	4.45 in / 113 mm	7.71 in / 196 mm
P30LS	9 mm x 19	15/10	semi	3-dot	fully adjustable	1.37 in / 34.8 mm	5.43 in / 138 mm	27.52 oz / 780 g	6.42 in / 163 mm	4.45 in / 113 mm	7.71 in / 196 mm
P30LS	.40 S&W	13/10	semi	3-dot	fully adjustable	1.37 in / 34.8 mm	5.43 in / 138 mm	27.52 oz / 780 g	6.42 in / 163 mm	4.45 in / 113 mm	7.71 in / 196 mm
P30SK	9 mm x 19	10	semi	3-dot	fully adjustable	1.37 in / 34.8 mm	4.57 in / 116 mm	23.99 oz / 680 g	5.35 in / 136 mm	3.27 in / 83 mm	6.42 in / 163 mm
P30SKS	9 mm x 19	10	semi	3-dot	fully adjustable	1.53 in / 38.8 mm	4.57 in / 116 mm	23.99 oz / 680 g	5.35 in / 136 mm	3.27 in / 83 mm	6.42 in / 163 mm
HK45	.45 ACP	10	semi	3-dot	adj. backstrap	1.54 in / 39 mm	5.91 in / 150 mm	31.20 oz / 880 g	6.63 in / 168.5 mm	4.46 in / 113.5 mm	8.03 in / 204 mm
HK45 Tactical	.45 ACP	10	semi	3-dot	adj. backstrap	1.54 in / 39 mm	5.91 in / 150 mm	31.20 oz / 880 g	6.63 in / 168.5 mm	4.46 in / 113.5 mm	8.03 in / 204 mm
HK45 Compact	.45 ACP	8/10	semi	3-dot	adj. backstrap	1.54 in / 39 mm	5.51 in / 140 mm	28.48 oz / 810 g	6.00 in / 152.5 mm	3.90 in / 99 mm	7.24 in / 184 mm
HK45 Compact Tactical	.45 ACP	8/10	semi	3-dot	adj. backstrap	1.14 in / 29 mm	5.51 in / 140 mm	29.12 oz / 830 g	6.00 in / 152.5 mm	4.57 in / 116 mm	7.91 in / 201 mm
P2000	9 mm x 19	13/10	semi	3-dot	adj. backstrap	1.37 in / 34.8 mm	5.07 in / 129 mm	24.96 oz / 710 g	5.55 in / 141 mm	3.66 in / 93 mm	6.85 in / 174 mm
P2000	.40 S&W	12/10	semi	3-dot	adj. backstrap	1.37 in / 34.8 mm	5.07 in / 129 mm	24.96 oz / 710 g	5.55 in / 141 mm	3.66 in / 93 mm	6.85 in / 174 mm
P2000SK	9 mm x 19	10	semi	3-dot	adj. backstrap	1.37 in / 34.8 mm	4.55 in / 115.5 mm	24.00 oz / 680 g	5.18 in / 131.5 mm	3.26 in / 83 mm	6.40 in / 162.5 mm
P2000SK	.40 S&W	9	semi	3-dot	adj. backstrap	1.27 in / 34 mm	4.55 in / 115.5 mm	24.00 oz / 680 g	5.18 in / 131.5 mm	3.26 in / 83 mm	6.40 in / 162.5 mm
USP9	9 mm x 19	15/10	semi	3-dot	fixed	1.26 in / 32 mm	5.31 in / 135 mm	27.20 oz / 770 g	6.22 in / 158 mm	4.25 in / 108 mm	7.68 in / 195 mm
USP40	.40 S&W	13/10	semi	3-dot	fixed	1.26 in / 32 mm	5.31 in / 135 mm	28.96 oz / 820 g	6.22 in / 158 mm	4.25 in / 108 mm	7.68 in / 195 mm
USP45	.45 ACP	12/10	semi	3-dot	fixed	1.26 in / 32 mm	5.61 in / 142.5 mm	34.88 oz / 990 g	6.34 in / 161 mm	4.41 in / 112 mm	7.91 in / 201 mm
USP9 Compact	9 mm x 19	13/10	semi	3-dot	fixed	1.38 in / 35 mm	5.00 in / 127 mm	25.76 oz / 730 g	5.31 in / 135 mm	3.58 in / 91 mm	6.81 in / 173 mm
USP40 Compact	.40 S&W	12/10	semi	3-dot	fixed	1.38 in / 35 mm	5.00 in / 127 mm	27.52 oz / 780 g	5.31 in / 135 mm	3.58 in / 91 mm	6.81 in / 173 mm
USP45 Compact	.45 ACP	8	semi	3-dot	fixed	1.38 in / 35 mm	5.04 in / 128 mm	28.16 oz / 800 g	5.63 in / 143 mm	3.78 in / 96 mm	7.09 in / 180 mm
USP9 Tactical	9 mm x 19	15/10	semi	Target	fixed	1.26 in / 32 mm	5.50 in / 140 mm	28.16 oz / 800 g	6.57 in / 167 mm	4.86 in / 123.5 mm	8.40 in / 218 mm
USP40 Tactical	.40 S&W	13/10	semi	Target	fixed	1.26 in / 32 mm	5.55 in / 141 mm	28.96 oz / 820 g	6.22 in / 158 mm	4.90 in / 124.5 mm	8.32 in / 211 mm
USP45 Tactical	.45 ACP	12/10	semi	Target	fixed	1.26 in / 32 mm	5.90 in / 150 mm	32.80 oz / 1020 g	6.73 in / 171 mm	5.09 in / 129 mm	8.64 in / 218 mm
USP9 Expert	9 mm x 19	15/18	semi	Target	fixed	1.73 in / 44 mm	5.86 in / 149 mm	33.60 oz / 960 g	7.48 in / 190 mm	5.19 in / 132 mm	8.70 in / 221 mm
MARK 23	.45 ACP	-	12	semi	3-dot	fixed	1.53 in / 39 mm	39.36 oz / 1120 g	7.76 in / 195 mm	5.87 in / 149 mm	9.65 in / 245 mm

SEMI-AUTOMATIC RIFLE MODEL	CALIBER	MAGAZINE CAPACITY	MODES OF FIRE	SIGHTS	STOCKS	WIDTH (APPROX.)	HEIGHT (APPROX.)	WEIGHT WITH EMPTY MAGAZINE	SIGHT RADIUS (APPROX.)	BARREL LENGTH	OVERALL LENGTH	
MR762A1	7.62 mm x 51	-	10/20	semi	adjustable TROY micro set	Retractable	3.23 in / 82 mm	8.36 in / 213 mm	9.84 lb / 4.48 kg	16.14 in / 410 mm	16.50 in / 420 mm	35.94–39.10 in / 913–993 mm
MR762A1 Long Rifle Package LRP II	7.62 mm x 51	-	10/20	semi	Optical (Leupold 3-9x40 mm)	Retractable G28	3.23 in / 82 mm	8.36 in / 213 mm 10.75 in / 273 mm ¹	10.58 lb / 4.80 kg 13.46 lb / 6.11 kg ¹	N/A	16.50 in / 420 mm	35.94–39.10 in / 913–993 mm
MR556A1	5.56 mm x 45	-	10/20/30	semi	adjustable TROY micro set	Retractable	3.07 in / 78 mm	9.45 in / 240 mm	9.10 lb / 4.13 kg	14.60 in / 371 mm	16.50 in / 420 mm	33.90–37.68 in / 861–957 mm
MR556A1 Competition Model	5.56 mm x 45	-	10/20/30	semi	—	Retractable MAGPUL CTR	3.07 in / 78 mm	9.45 in / 240 mm	8.78 lb / 3.98 kg	N/A	16.50 in / 420 mm	37.75–41.00 in / 959–1041 mm

¹MR762A1 LRP rifle with mounted scope

specifications updated 03/22/2015

Military/Law Enforcement Product Specifications

MODEL	CALIBER	CYCLIC RATE OF FIRE	MAGAZINE CAPACITY	MODES OF FIRE	SIGHTS	STOCK	WIDTH (APPROX.)	HEIGHT (APPROX.)	EMPTY WEIGHT	SIGHT RADIUS (APPROX.)	BARREL LENGTH	OVERALL LENGTH
MP5A2	9 mm x 19	800 rpm	15/30	S,F,2,3	D	FS	1.96 in / 50 mm	10.23 in / 260 mm	5.97 lb / 2.71 kg	13.38 in / 340 mm	8.85 in / 225 mm	26.77 in / 680 mm
MP5A3	9 mm x 19	800 rpm	15/30	S,F,2,3	D	RS	1.96 in / 50 mm	10.23 in / 260 mm	7.16 lb / 3.25 kg	13.38 in / 340 mm	8.85 in / 225 mm	21–27.25 in / 535–694 mm
MP5SFA2	9 mm x 19	-	15/30	S	D	FS	1.96 in / 50 mm	10.23 in / 260 mm	6.00 lb / 2.72 kg	13.38 in / 340 mm	8.85 in / 225 mm	21.65–27.55 in / 551–702 mm
MP5-N(RS)	9 mm x 19	800 rpm	15/30	S,F	D	FS	1.96 in / 50 mm	10.23 in / 260 mm	7.16 lb / 3.25 kg	13.38 in / 340 mm	8.85 in / 225 mm	21–27.25 in / 535–694 mm
MP5K	9 mm x 19	900 rpm	15/30	S,F,2,3	D	RC	1.96 in / 50 mm	10.23 in / 260 mm	4.78 lb / 2.17 kg	13.38 in / 340 mm	4.52 in / 115 mm	12.79 in / 325 mm
MP5K-PDW	9 mm x 19	900 rpm	15/30	S,F,2,3	D	FOLD	1.96 in / 50 mm	10.23 in / 260 mm	6.50 lb / 2.95 kg	10.23 in / 260 mm	5.51 in / 140 mm	14.5–23.74 in / 369–605 mm
MP5SD1	9 mm x 19	800 rpm	15/30	S,F	D	RC	2.63 in / 60 mm	10.23 in / 260 mm	6.54 lb / 2.97 kg	13.38 in / 340 mm	5.74 in / 146 mm	21.65 in / 550 mm
MP5SD3	9 mm x 19	800 rpm	15/30	S,F	D	RS	2.63 in / 60 mm	10.23 in / 260 mm	6.54 lb / 2.97 kg	13.38 in / 340 mm	5.74 in / 146 mm	26.37–31.69 in / 672–807 mm
UMP9	9 mm x 19	600 rpm	30	S,2,F	D	FOLD	2.40 in / 61 mm	11.02 in / 280 mm	4.96 lb / 2.25 kg	12.80 in / 325 mm	7.87 in / 200 mm	17.71–27.16 in / 451–692 mm
UMP40	.40 S&W	600 rpm	30	S,2,F	D	FOLD	2.40 in / 61 mm	12.00 in / 305 mm	4.96 lb / 2.25 g	12.80 in / 325 mm	7.87 in / 200 mm	17.71–27.16 in / 451–692 mm
UMP45	.45 ACP	600 rpm	25	S,2,F	D	FOLD	2.40 in / 61 mm	12.79 in / 325 mm	5.40 lb / 2.45 kg	12.80 in / 325 mm	7.87 in / 200 mm	17.71–27.16 in / 451–692 mm
MP7A1 PDW	4.6 x 30 mm	950 rpm	30	S,2,F	D	RS	1.77 in / 45 mm	6.77 in / 172 mm	4.40 lb / 2.0 kg	12.80 in / 325 mm	7.08 in / 180 mm	16.53–25.19 in / 421–622 mm
G36C	5.56 mm x 45	750 rpm	30	S,2,F	0,DS,D	FOLD	2.51 in / 64 mm	10.94 in / 278 mm	6.52 lb / 2.96 kg	12.61 in / 315 mm	8.97 in / 228 mm	19.69–28.34 in / 502–722 mm
G36K	5.56 mm x 45	750 rpm	30	S,2,F	0,DS,D	FOLD	2.51 in / 64 mm	12.59 in / 320 mm	7.58 lb / 3.44 kg	12.51 in / 318 mm	4.21–33.85 / 617–862 mm	
G36	5.56 mm x 45	750 rpm	30	S,2,F	0,DS,D	FOLD	2.51 in / 64 mm	12.59 in / 320 mm	8.31 lb / 3.77 kg	18.89 in / 480 mm	29.84–39.33 in / 760–1002 mm	
HK416 D10RS	5.56 mm x 45	7-900 rpm	20/30	S,F	AS	RS	3.07 in / 78 mm	9.45 in / 240 mm	7.21 lb / 3.27 kg	14.61 in / 371 mm	10.40 in / 264 mm	27.60–31.38 in / 701–797 mm
HK416 D14.5RS	5.56 mm x 45	7-900 rpm	20/30	S,F	AS	RS	3.07 in / 78 mm	9.45 in / 240 mm	8.24 lb / 3.74 kg	14.61 in / 371 mm	14.50 in / 368 mm	31.65–35.43 in / 804–900 mm
HK416 D16.5RS	5.56 mm x 45	7-900 rpm	20/30	S,F	AS	RS	3.07 in / 78 mm	9.45 in / 240 mm	8.4 lb / 3.81 kg	14.61 in / 371 mm	16.50 in / 419 mm	33.66–37.44 in / 855–951 mm
HK416 D20RS	5.56 mm x 45	7-900 rpm	20/30	S,F	AS	RS	3.07 in / 78 mm	9.45 in / 240 mm	9.05 lb / 4.11 kg	20.79 in / 528 mm	19.88 in / 505 mm	37.05–40.83 in / 941–1037 mm
MR556A1-SD	5.56 mm x 45	semi-auto	20/30	S	AS	RS	3.07 in / 78 mm	9.45 in / 240 mm	9.62 lb / 4.36 kg	16.50 in / 419 mm	38.10–41.88 in / 968–1064 mm	
MR762A1-SD	7.62 mm x 51	semi-auto	10/20	S	AS	RS	3.23 in / 82 mm	8.39 in / 213 mm	11.03 lb / 5.00 kg	16.50 in / 419 mm	41.42–44.58 in / 1048–1132 mm	
HK417 12 in	7.62 mm x 51	600 rpm	10/20	S,F	AS	RS	3.23 in / 82 mm	8.39 in / 213 mm	9.62 lb / 4.36 kg	16.14 in / 410 mm	12.00 in / 305 mm	31.69–34.84 in / 805–884 mm
HK417 16 in	7.62 mm x 51	600 rpm	10/20	S,F	AS	RS	3.23 in / 82 mm	8.39 in / 213 mm	10.16 lb / 4.61 kg	16.14 in / 410 mm	16.00 in / 406 mm	35.62–38.77 in / 905–985 mm
HK417 20 in	7.62 mm x 51	600 rpm	10/20	S,F	AS	RS	3.23 in / 82 mm	8.39 in / 213 mm	10.93 lb / 4.96 kg	18.62 in / 473 mm	20.00 in / 508 mm	39.65–42.71 in / 1007–1087 mm
MG4 KE	5.56 mm x 45	775 rpm (±) 50	belt	F	dioptr	Folding	3.78 in / 96 mm	8.98 in / 228 mm	16.98 lb / 7.7 kg	23.62 in / 600 mm	14.57 in / 370 mm	29.53–37.40 in / 750–950 mm
MG4 E	5.56 mm x 45	775 rpm (±) 50	belt	F	dioptr	Folding	3.78 in / 96 mm	8.98 in / 228 mm	17.42 lb / 7.9 kg	23.70 in / 602 mm	17.72 in / 450 mm	32.68–40.55 in / 830–1030 mm
MG5 Infantry	7.62 mm x 51	600/700/800 rpm	belt	F	dioptr	Fixed Stock	4.72 in / 120 mm	11.22 in / 285 mm	21.83 lb / 9.9 kg	23.62 in / 600 mm	18.11 in / 460 mm	41.73 in / 1060 mm
MG5 Universal	7.62 mm x 51	600/700/800 rpm	belt	F	dioptr	Folding	4.72 in / 120 mm	9.72 in / 239 mm	24.69 lb / 11.2 kg	23.70 in / 602 mm	21.65 in / 550 mm	37.80–45.67 in / 960–1160 mm
HK169K	40 mm x 46	-	-	M	L</							

For over half a century, Heckler & Koch has been a leading designer and manufacturer of small arms and light weapons for law enforcement and military forces worldwide. HK is also the maker of premier brand firearms for the sporting and commercial markets. Its reputation for quality, innovation, and safety make Heckler & Koch a recognized leader in the development of technologically advanced products. And the long-term durability of all HK products make them especially cost-effective when subjected to total life cycle cost analysis.

As a major international force, Heckler & Koch has a vision that is simple yet demanding — “To be the world’s premier small arms systems company.”

With operations in Germany, the United Kingdom, France, and the United States, we continue to meet the ever-evolving needs and requirements of our customers. A major supplier of small arms to several NATO countries, Heckler and Koch is a worldwide leader in market positions for nearly all of its major product categories.

The foundation for everything we do is an unwavering commitment to excellence. This is accomplished through technological leadership, in depth product research and development, responsible marketing, and strategies that create and shape markets. We consider it a fundamental obligation to deliver the best possible products to our customers. The words “No Compromise” are more than a motto, they are the core of our corporate philosophy.



An affiliate of Heckler & Koch GmbH of Oberndorf, Germany; Heckler & Koch USA currently has three principal US locations. HK Columbus (Georgia) provides the U.S. commercial (civilian) market and law enforcement community with technologically advanced firearms, customer support, and repair services. HK Columbus is also HK’s main distribution center. For more information contact:

HECKLER & KOCH USA

5675 Transport Boulevard
Columbus, GA 31907 USA
Tel: (706) 568-1906 / Fax: (706) 568-9151
Email: cs@heckler-koch-us.com
USA website: www.hk-usa.com

› CONTENTS

Handguns	
VP9	2-3
P30 / P30S / P30L / P30LS	4-5
P30SK Subcompact	6-7
HK45 / HK45 Tactical / HK45 Compact / HK45 Compact Tactical	8-9
HK45 / HK45 Compact Colored Frame & Colored Slide Models	10-11
P2000 / P2000 SK	12-13
USP / USP Compact / USP Specialized Pistols / Mark 23	14-15
Rifles	
MR762A1 / MR762A1 Long Rifle Package II	16-17
MR556A1 / MR556A1 Competition Model	18-19
MR556A1-SD / MR762A1-SD Suppressed Systems	20-21
Submachine Guns & Personal Defense Weapon	
MP5 Submachine Guns	22-23
UMP Submachine Guns	24-25
MP7A1 Personal Defense Weapon	26-27
Selective Fire Rifles & Carbines	
HK416	28-29
G36	30-31
HK417	32
Upper Receiver Kits	
MR556A1 & HK416 Upper Receiver Kits	33
Machine Guns	
MG4 Light Machine Gun	34-35
MG5/HK121 Medium Machine Gun	36-37
Grenade Launchers	
Grenade Launcher Module (GLM/M320)	38
HK169	39
Grenade Machine Gun (GMG)	40-41
Specifications	
	42-43

HK Ashburn (Virginia) serves the U.S. military and federal law enforcement community with logistical support and acts as an administrative/sales support activity. HK Ashburn is also the center for armorers and specialized training on Heckler & Koch arms conducted by HK Training & Technical Services. For more information contact:

HECKLER & KOCH USA

19980 Highland Vista Drive, Suite 190
Ashburn, VA 20147 USA
Tel: (703) 450-1900 / Fax: (703) 450-8160
Email: info@heckler-koch-us.com
USA website: www.hk-usa.com

HK Newington (New Hampshire) is Heckler & Koch’s center for its American manufacturing and program management activities. Established in 2007, HK’s Newington operation includes advanced CNC machine tooling and polymer molding technology capable of making a full line of Heckler & Koch products. Production and assembly of pistols began in 2008 with commercial rifles being added in 2009. For more information contact:

HECKLER & KOCH USA

27 Piscataqua Drive
Newington, NH 03801 USA
Tel: (703) 450-1900 / Fax: (603) 431-1221
USA website: www.hk-usa.com
Global website: www.heckler-koch.com

HK WARRANTY

All HK firearms sold commercially in the USA are covered by a Limited Lifetime Warranty for the original owner. Firearms purchased by the military or law enforcement are covered by a One Year Limited Warranty against material defects and workmanship. Warranty repair or replacement is conducted at the discretion of Heckler & Koch.



FIREARMS SAFETY

Read and follow all safety information in the operator’s manuals. Store all firearms in a safe and secure location. Keep firearms away from children. Always be a safe operator.

NOTE: Not all Heckler & Koch products are available to commercial/civilian customers. Some products are limited to military and law enforcement users only.

For more information on HK military, law enforcement, and commercial products outside of the United States contact:

HECKLER & KOCH GMBH
Postfach 1329
D-78722 Oberndorf Germany
Tel +49 7423/79-0 • Fax +49 7423/79-24 97
Global Website: www.heckler-koch.com
Email: hkinfoboard@heckler-koch.de

To view a selection of HK accessories, go to <http://www.heckler-koch.com/en/military/accessories.html>, to purchase accessories in the USA, visit the HK web shop at www.hkwebshop.com